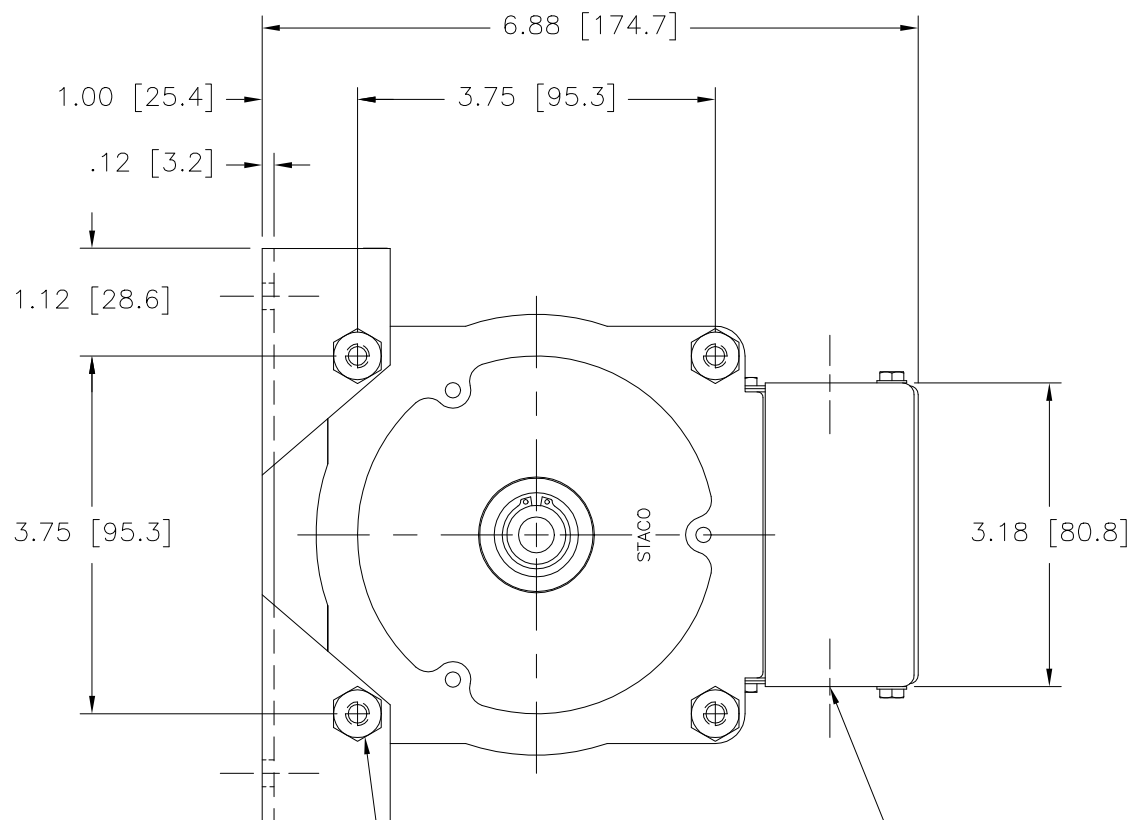
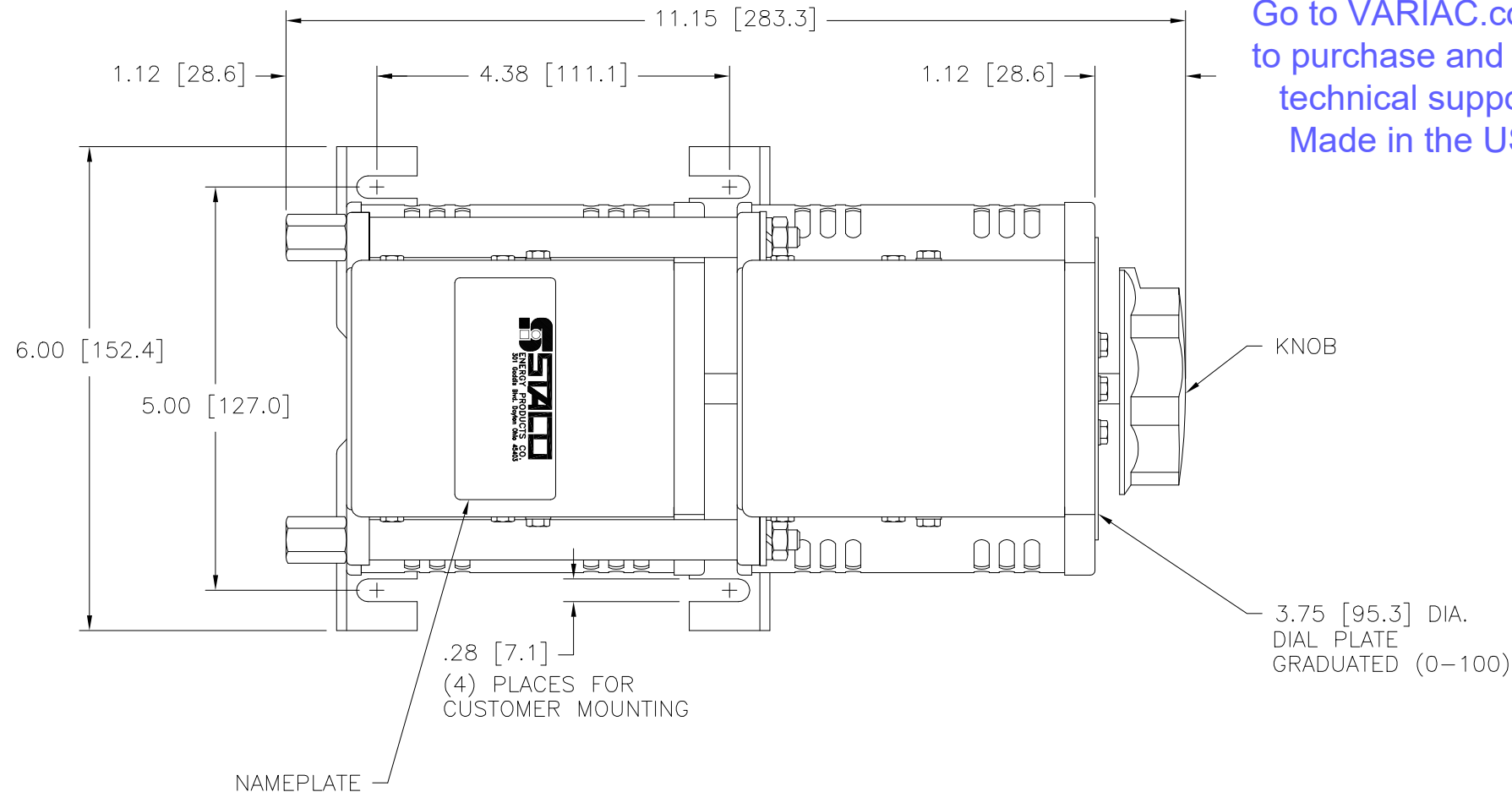


Go to VARIAC.com
 to purchase and for
 technical support.
 Made in the USA

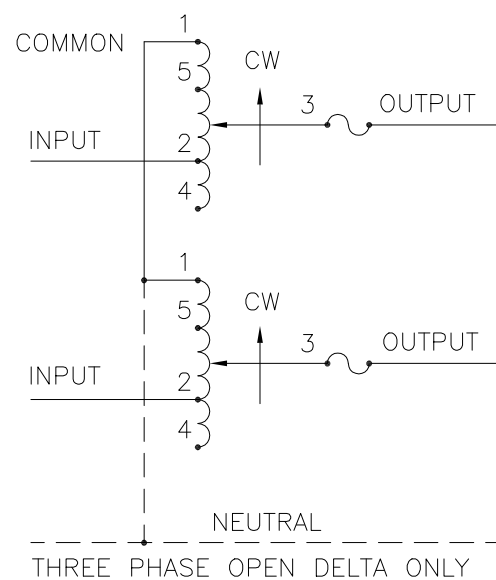


(4) STANDOFFS TAPPED
 1/4-28 X .38 [9.5] DEEP
 FOR MOUNTING BOLTS

.88 [22.2] DIA. KNOCKOUT
 (5) PLACES FOR
 WIRING CONNECTIONS



- ⌘ IF GANGED UNITS ARE USED IN A SYSTEM THAT ORDINARILY HAS A COMMON NEUTRAL OR GROUND BETWEEN SOURCE AND LOAD, THE NEUTRAL OR GROUND MUST BE CONNECTED TO THE COMMON TERMINALS OF THE VARIABLE TRANSFORMER ASSEMBLY. IF THE SYSTEM HAS NO NEUTRAL, THE LOAD MUST BE BALANCED OR THE TRANSFORMER WILL BE DAMAGED.
- JUMPER PROVIDED IN STANDARD COMMON POSITION AND SHOULD BE MOVED OR REMOVED AS REQUIRED.
- ++ LINE TO LINE VOLTAGE.



SCHEMATIC
 THREE PHASE OPEN DELTA AND SINGLE
 PHASE SERIES. FUSE RECOMMENDED BUT
 NOT SUPPLIED.

SPECIFICATIONS											
WIRING	INPUT		OUTPUT				SHAFT ROTATION TO INCREASE VOLTAGE	TERMINAL CONNECTIONS			
	VOLTS	HERTZ	VOLTS	CONSTANT CURRENT LOAD		CONSTANT IMPEDANCE LOAD		FOR INCREASING VOLTAGE AS VIEWED FROM BASE END ■			
				MAX. AMPS	MAX. KVA	MAX. AMPS		MAX. KVA	INPUT	JUMPER	OUTPUT
SINGLE PHASE SERIES	240	50/60	0-240	10	2.4	13	3.12	CW	1-1	4-4	3-3
			0-280	10	2.8	—	—	CCW	4-4	1-1	3-3
THREE PHASE OPEN DELTA ⌘	120 ++	50/60	0-120	10	2.08	13	2.70	CW	1-4-1	4-4	3-4-3
			0-140	10	2.42	—	—	CCW	4-1-4	1-1	3-1-3
				10	2.42	—	—	CW	5-4-5	4-4	3-4-3
					10	2.42	—	—	CCW	2-1-2	1-1

UNLESS OTHERWISE SPECIFIED, TOLERANCE IS # DECIMALS .005 Holes .002 ANGLES 1° DRAFT 1-1/2° UNITS IN [mm]

MATERIAL: ALL DIMENSIONS APPLY AFTER PLATING

TITLE: SPEC. CONTROL DRAWING VARIABLE TRANSFORMER MODEL: 1010BCT-2

STACO ENERGY PRODUCTS CO. A COMPONENTS CORPORATION OF AMERICA COMPANY DAYTON, OHIO U.S.A.

DRAWN BY S.A. SMITH	DATE 9/18/97	FIRST USED ON	DO NOT SCALE DWG.	CUSTOMER APPROVAL	DATE
CHECKER	DATE	WEIGHT APPROX. 22.5 LBS	CODE IDENT. NO. 83008	DWG. NO. 031-1664	DWG. SIZE D
ENGINEER	DATE	SCALE 1=1	SHEET 1 OF 1		