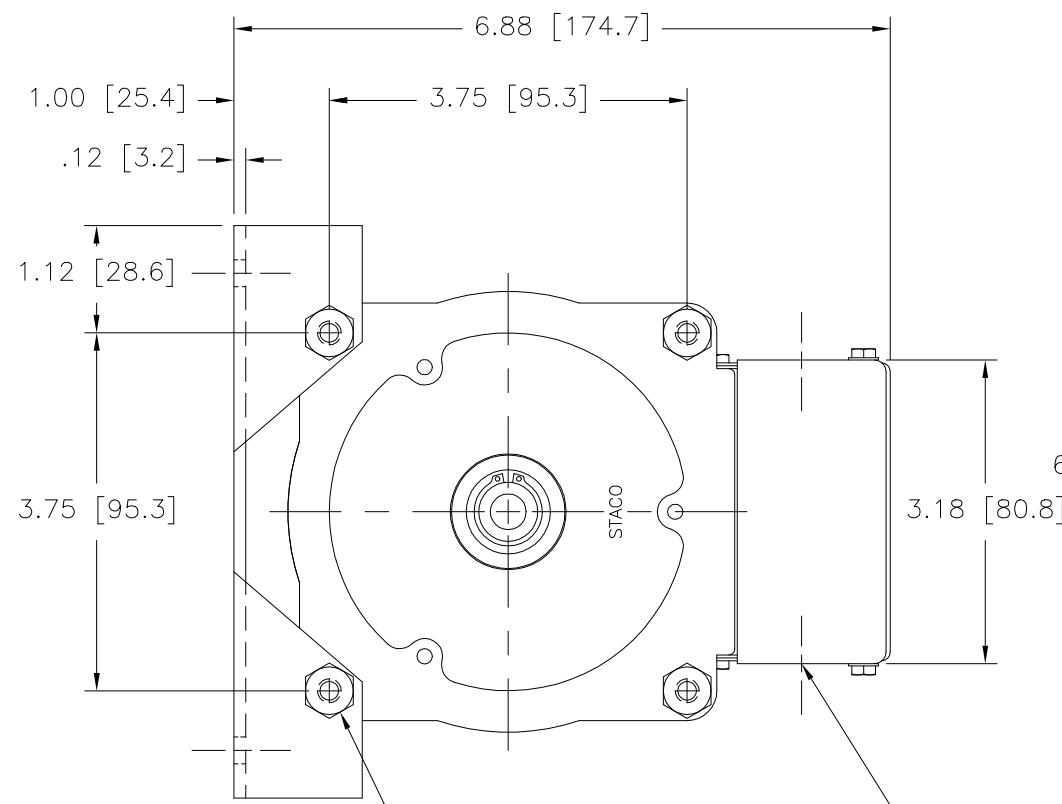


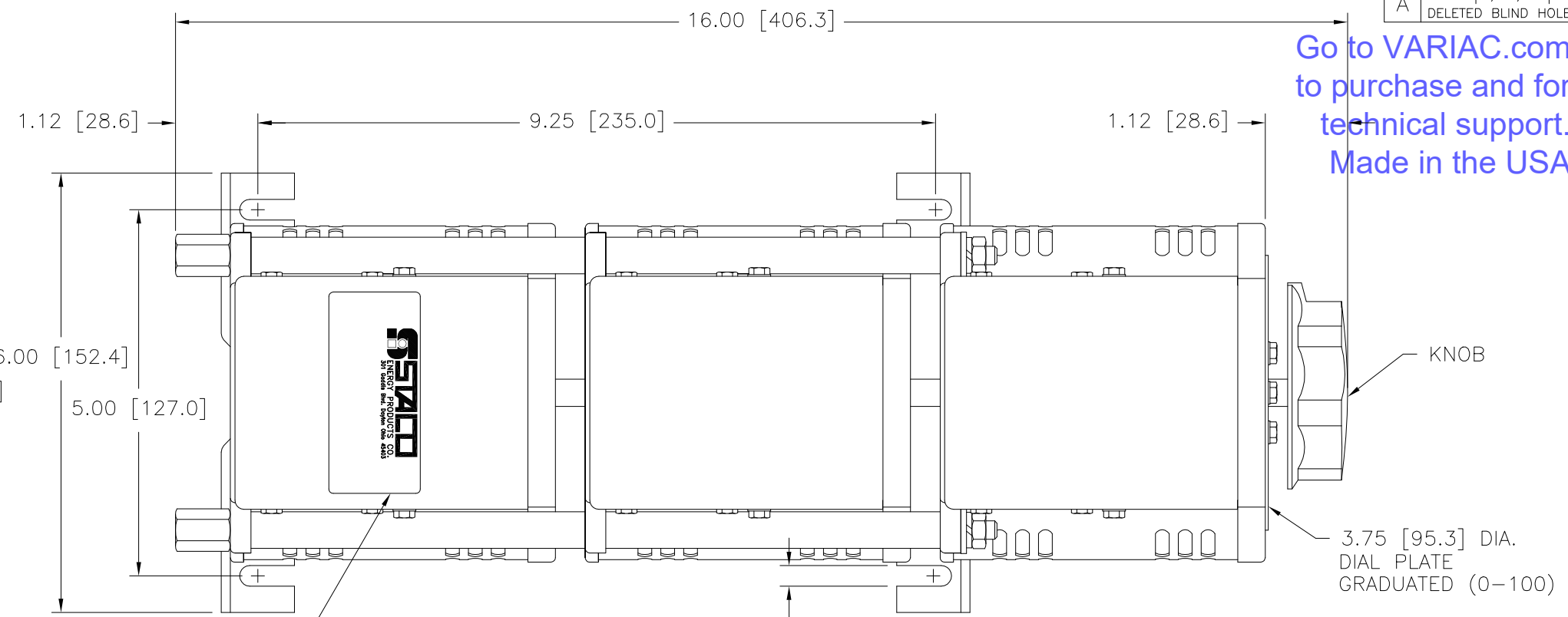
DWG. NO.	031-3028		
REVISIONS			
SYM.	E.C.N.	DATE	APVD.
A	24194	4/10/00	
DELETED BLIND HOLES			

Go to VARIAC.com
to purchase and for
technical support.
Made in the USA



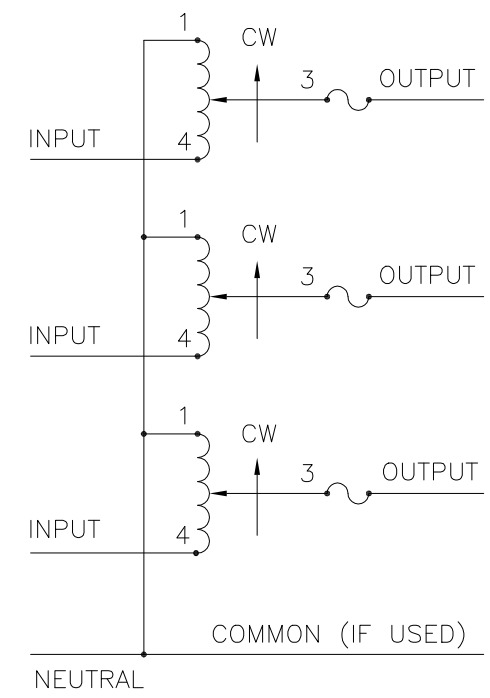
(4) STANDOFFS TAPPED
1/4-28 X .38 [9.5] DEEP
FOR MOUNTING BOLTS

.88 [22.2] DIA. KNOCKOUT
(7) PLACES FOR
WIRING CONNECTIONS



NAMEPLATE

.28 [7.1]
(4) PLACES FOR
CUSTOMER MOUNTING



SCHEMATIC
FUSE RECOMMENDED BUT NOT SUPPLIED

⌘ IF GANGED UNITS ARE USED IN A SYSTEM THAT ORDINARILY HAS A COMMON NEUTRAL OR GROUND BETWEEN SOURCE AND LOAD, THE NEUTRAL OR GROUND MUST BE CONNECTED TO THE COMMON TERMINALS OF THE VARIABLE TRANSFORMER ASSEMBLY. IF THE SYSTEM HAS NO NEUTRAL, THE LOAD MUST BE BALANCED OR THE TRANSFORMER WILL BE DAMAGED.

■ JUMPER PROVIDED IN STANDARD COMMON POSITION AND SHOULD BE MOVED OR REMOVED AS REQUIRED.

++ LINE TO LINE VOLTAGE.

SPECIFICATIONS											
WIRING	INPUT		OUTPUT				SHAFT ROTATION TO INCREASE VOLTAGE	TERMINAL CONNECTIONS			
	VOLTS	HERTZ	VOLTS	CONSTANT CURRENT LOAD	CONSTANT IMPEDANCE LOAD	FOR INCREASING VOLTAGE AS VIEWED FROM BASE END ■					
				MAX. AMPS	MAX. KVA	MAX. AMPS	MAX. KVA		INPUT	JUMPER	OUTPUT
THREE PHASE WYE ⌘	240	60	0-240	12	4.96	15	6.24	CW	1-1-1	4-4-4	3-3-3
								CCW	4-4-4	1-1-1	3-3-3

UNLESS OTHERWISE SPECIFIED, TOLERANCE IS #				UNITS		TITLE: SPEC. CONTROL DRAWING			
DECIMALS	Holes	ANGLES	DRAFT	IN	MM	SPEC. CONTROL DRAWING			
.XX	.0000-.06	1°	1-1/2°			MODEL: 1210BCT-3			
MATERIAL:				ALL DIMENSIONS APPLY AFTER PLATING		DRAWN BY S.A. SMITH		DATE 9/25/97	
The information and design disclosed herein was originated by and is the property of STACO ENERGY PRODUCTS CO., which reserves all patent, proprietary, design, manufacturing, reproduction, use and sale rights thereto, and to any article disclosed therein except to the extent rights are expressly granted to others. The foregoing does not apply to vendor proprietary parts.				FIRST USED ON		DO NOT SCALE DWG.		CUSTOMER APPROVAL	
				CHECKER		DATE		DATE	
				ENGINEER		DATE		DATE	
				WEIGHT APPROX. 34.5 LBS		CODE IDENT. NO. 83008		DWG. NO. 031-3028	
				SCALE 1=1		SHEET 1 OF 1		D	