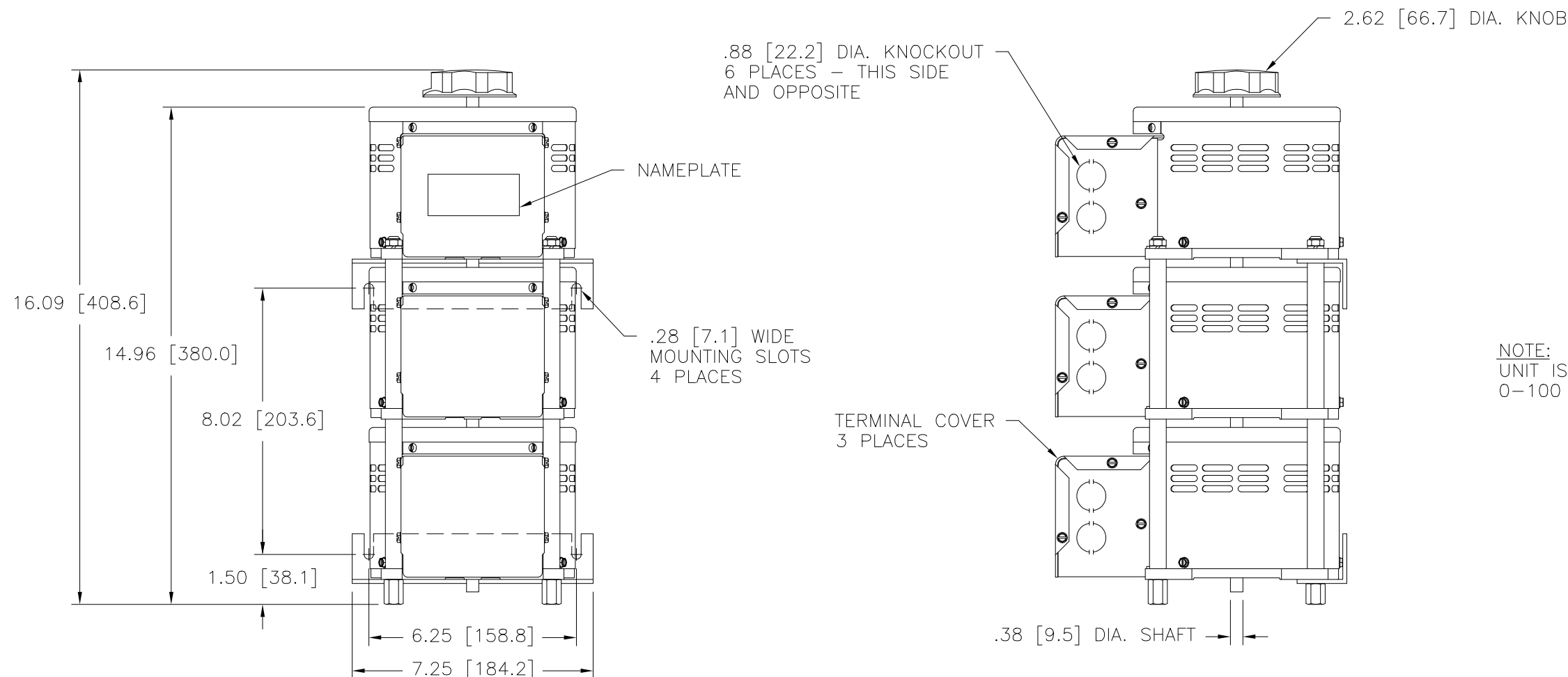
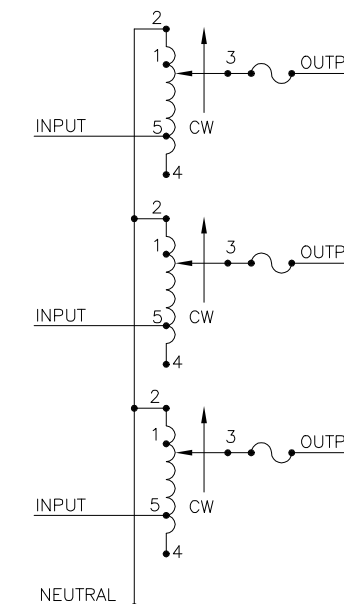


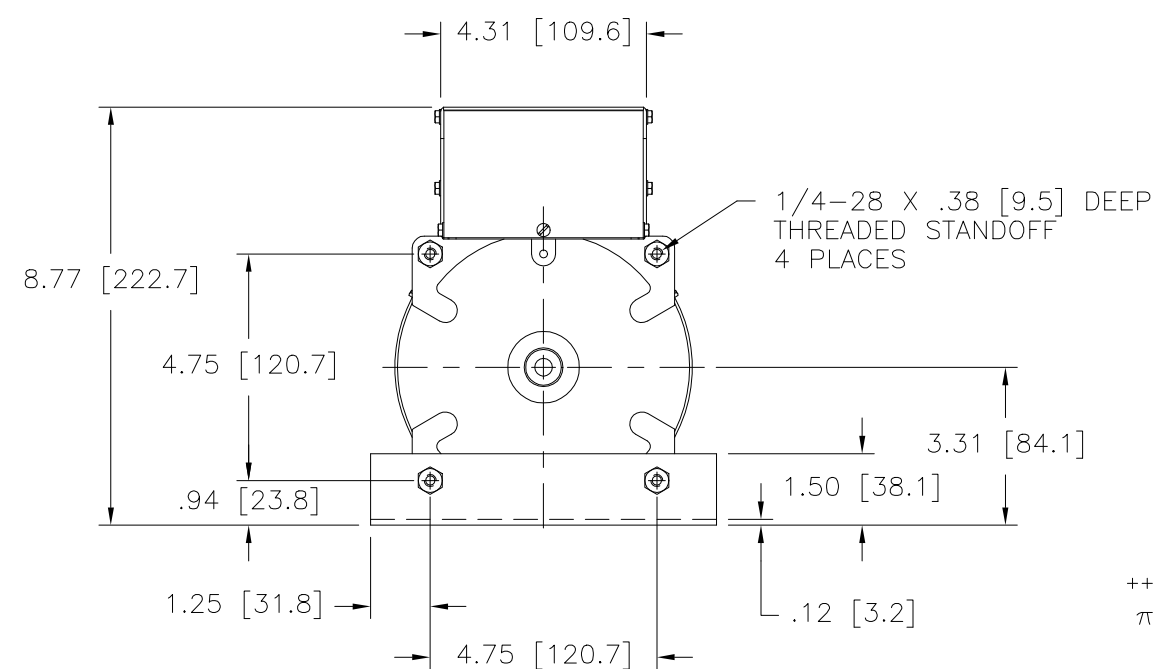
Go to VARIAC.com
to purchase and for
technical support.
Made in the USA



NOTE:
UNIT IS SUPPLIED WITH A 3.50 [95.2] DIA.
0-100 GRADUATED DIAL PLATE FOR PANEL MOUNTING.



SCHEMATIC
THREE PHASE WYE
FUSES RECOMMENDED BUT NOT SUPPLIED



++ LINE TO LINE VOLTAGE.

⌘ IF GANGED UNITS ARE USED IN A SYSTEM THAT ORDINARILY HAS A COMMON NEUTRAL OR GROUND BETWEEN SOURCE AND LOAD, THE NEUTRAL OR GROUND MUST BE CONNECTED TO THE COMMON TERMINALS OF THE VARIABLE TRANSFORMER ASSEMBLY. IF THE SYSTEM HAS NO NEUTRAL, THE LOAD MUST BE BALANCED OR THE TRANSFORMER WILL BE DAMAGED.

■ JUMPER PROVIDED IN STANDARD COMMON POSITION AND SHOULD BE MOVED OR REMOVED AS REQUIRED.

| SPECIFICATIONS | | | | | | | | | | | |
|-------------------|--------|-------|--------|-----------------------|----------|-------------------------|------------------------------------|--|-------|--------|--------|
| WIRING | INPUT | | OUTPUT | | | | SHAFT ROTATION TO INCREASE VOLTAGE | TERMINAL CONNECTIONS | | | |
| | VOLTS | HERTZ | VOLTS | CONSTANT CURRENT LOAD | | CONSTANT IMPEDANCE LOAD | | FOR INCREASING VOLTAGE AS VIEWED FROM BASE END ■ | | | |
| | | | | MAX. AMPS | MAX. KVA | MAX. AMPS | | MAX. KVA | INPUT | JUMPER | OUTPUT |
| THREE PHASE WYE ⌘ | 240 ++ | 50/60 | 0-240 | 15 | 6.22 | 20 | 8.30 | CW | 2-2-2 | 4-4-4 | 3-3-3 |
| | | | 0-280 | 15 | 7.26 | — | — | CCW | 4-4-4 | 2-2-2 | 3-3-3 |
| | | 60 | 0-240 | 15 | 7.26 | — | — | CW | 1-1-1 | 4-4-4 | 3-3-3 |
| | | | 0-280 | 15 | 7.26 | — | — | CCW | 5-5-5 | 2-2-2 | 3-3-3 |

| | | | | | | | | | | |
|--|-------|--------|-------|---|--------------------------|-----------------------|-------------------|--|--|--|
| UNLESS OTHERWISE SPECIFIED, TOLERANCE IS ± | | | | | | | | | | |
| DECIMALS | HOLES | ANGLES | DRAFT | UNITS | | | | | | |
| .XX | .0000 | .01 | 1° | IN [mm] | | | | | | |
| MATERIAL: | | | | TITLE: SPEC. CONTROL DRAWING VARIABLE TRANSFORMER MODEL: 1510CT-3 | | | | | | |
| DRAWN BY S.A. SMITH | | | | DATE 1/8/2001 | FIRST USED ON 1510CT-3 | DO NOT SCALE DWG. | CUSTOMER APPROVAL | | | |
| CHECKER | | | | DATE | WEIGHT APPROX. 55.50 LBS | CODE IDENT. NO. 83008 | DATE | | | |
| ENGINEER | | | | DATE | SCALE .50=1 | SHEET 1 OF 1 | DWG. NO. 031-3675 | | | |

