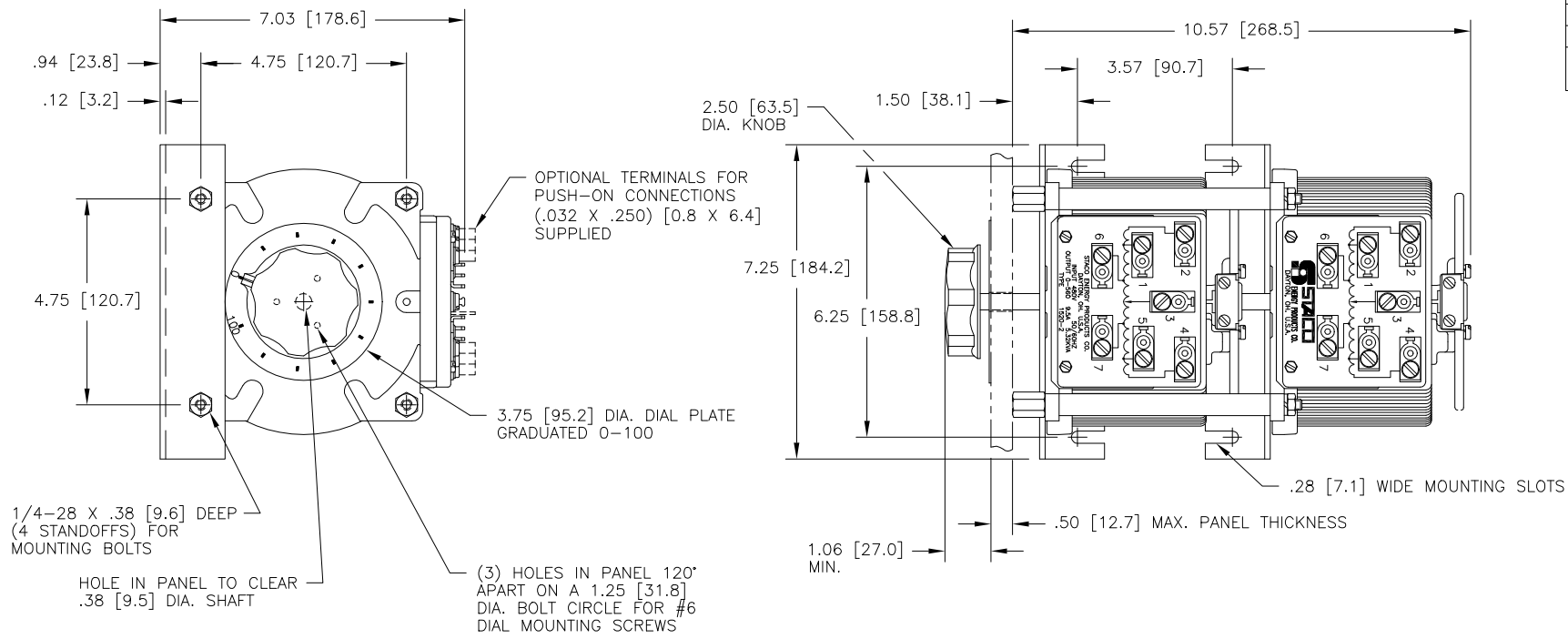


DWG. NO.	031-3913		
REVISIONS			
SYM.	E.C.N.	DATE	APVD.
A	24244	5/23/00	ADDED FIGURE A

Go to VARIAC.com to purchase and for technical support.
Made in the USA



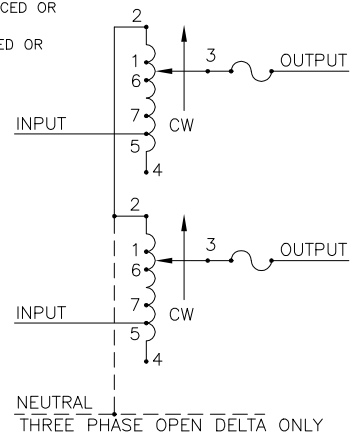
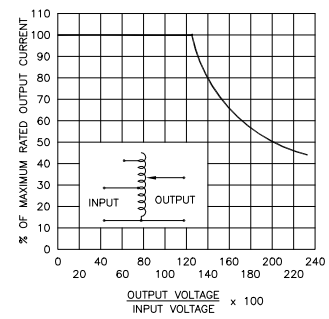
MAXIMUM OUTPUT CURRENT IN OUTPUT VOLTAGE RANGE FROM 0 TO 25% ABOVE LINE VOLTAGE. AT HIGHER OUTPUT VOLTAGES, THE OUTPUT CURRENT MUST BE REDUCED ACCORDING TO THE DERATING CURVE FIGURE A.

§ MAXIMUM KVA AT MAXIMUM OUTPUT VOLTAGE AND CORRESPONDING DERATED OUTPUT CURRENT. MAXIMUM KVA FOR LOWER VOLTAGES MAY BE CALCULATED FROM DERATING CURVE FIGURE A.

++ LINE TO LINE VOLTAGE.

∏ IF GANGED UNITS ARE USED IN A SYSTEM THAT ORDINARILY HAS A COMMON NEUTRAL OR GROUND BETWEEN SOURCE AND LOAD, THE NEUTRAL OR GROUND MUST BE CONNECTED TO THE COMMON TERMINALS OF THE VARIABLE TRANSFORMER ASSEMBLY. IF THE SYSTEM HAS NO NEUTRAL, THE LOAD MUST BE BALANCED OR THE TRANSFORMER WILL BE DAMAGED.

■ JUMPER PROVIDED IN STANDARD COMMON POSITION AND SHOULD BE MOVED OR REMOVED AS REQUIRED.



SPECIFICATIONS											
WIRING	INPUT		OUTPUT				SHAFT ROTATION TO INCREASE VOLTAGE	TERMINAL CONNECTIONS			
	VOLTS	HERTZ	VOLTS	CONSTANT CURRENT LOAD		CONSTANT IMPEDANCE LOAD		MOTOR DRIVEN UNITS USE CCW FOR INCREASING VOLTAGE AS VIEWED FROM BASE END ■			
				MAX. AMPS	MAX. KVA	MAX. AMPS	MAX. KVA		INPUT	JUMPER	OUTPUT
SINGLE PHASE SERIES	480	50/60	0-480	9.5	4.56	12	5.76	CW	2-2	4-4	3-3
			0-560	9.5	5.32	—	—	CCW	4-4	2-2	3-3
	240	50/60	0-560	9.5#	2.28 §	—	—	CW	1-1	4-4	3-3
			0-240	9.5	3.95	12	5.0	CCW	5-5	2-2	3-3
THREE PHASE OPEN DELTA ∏	240	++	0-240	9.5	3.95	12	5.0	CW	7-7	4-4	3-3
			0-280	9.5	4.61	—	—	CCW	6-6	2-2	3-3
	120	++	0-240	9.5	3.95	12	5.0	CW	2-4-2	4-4	3-4-3
			0-280	9.5	4.61	—	—	CCW	4-2-4	2-2	3-2-3
	120	++	0-240	9.5#	1.98 §	—	—	CW	1-4-1	4-4	3-4-3
			0-280	9.5#	1.98 §	—	—	CCW	5-2-5	2-2	3-2-3
0-280	9.5#	1.98 §	—	—	CCW	7-4-7	4-4	3-4-3			
0-280	9.5#	1.98 §	—	—	CCW	6-2-6	2-2	3-2-3			

TITLE: SPEC. CONTROL DWG.
VARIABLE TRANSFORMER
MODEL: 1520-2



DRAWN BY S.A. SMITH		DATE 5/23/00	FIRST USED ON	DO NOT SCALE DWG.	CUSTOMER APPROVAL	DATE
CHECKER	DATE	WEIGHT APPROX. 42.25 LBS	CODE IDENT. NO. 83008	DWG. SIZE C	DWG. NO. 031-3913	
ENGINEER	DATE	SCALE .5=1	SHEET 1 OF 1			