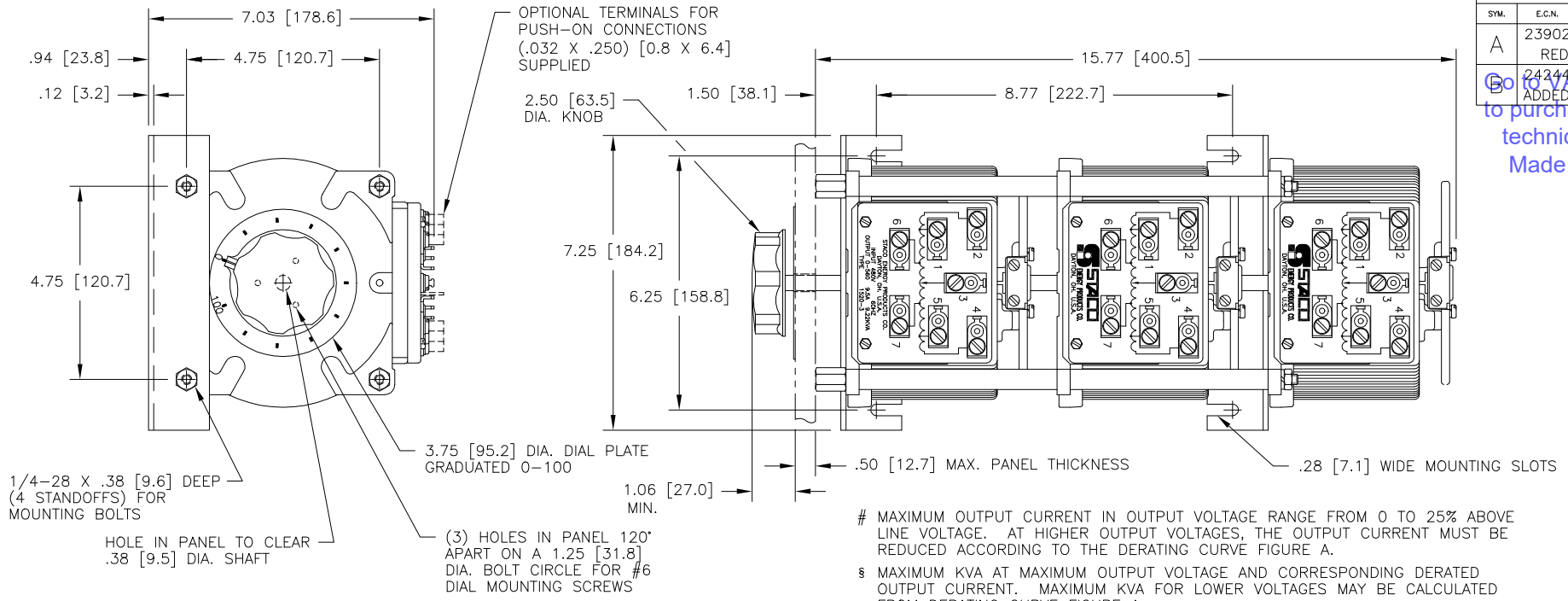


DWG. NO.	031-3925		
REVISIONS			
SYM.	E.C.N.	DATE	APVD.
A	23902	12/17/98	
B	24244	5/23/00	
REDRAWN ON CAD ADDED OPTIONAL NOTE			

Go to www.STACO.com to purchase and for technical support.
Made in the USA

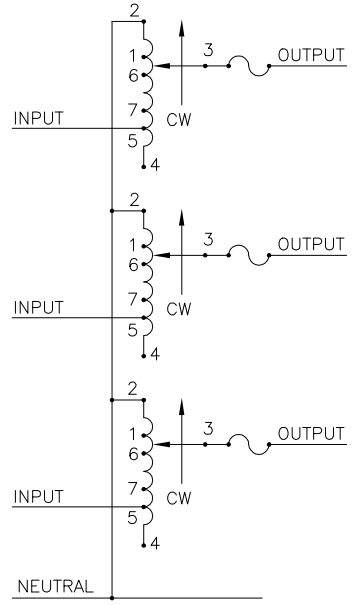
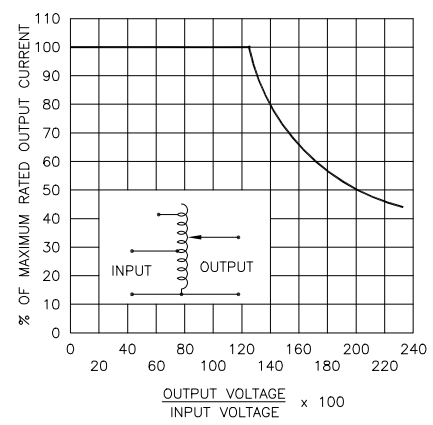


MAXIMUM OUTPUT CURRENT IN OUTPUT VOLTAGE RANGE FROM 0 TO 25% ABOVE LINE VOLTAGE. AT HIGHER OUTPUT VOLTAGES, THE OUTPUT CURRENT MUST BE REDUCED ACCORDING TO THE DERATING CURVE FIGURE A.
§ MAXIMUM KVA AT MAXIMUM OUTPUT VOLTAGE AND CORRESPONDING DERATED OUTPUT CURRENT. MAXIMUM KVA FOR LOWER VOLTAGES MAY BE CALCULATED FROM DERATING CURVE FIGURE A.

++ LINE TO LINE VOLTAGE.

∏ IF GANGED UNITS ARE USED IN A SYSTEM THAT ORDINARILY HAS A COMMON NEUTRAL OR GROUND BETWEEN SOURCE AND LOAD, THE NEUTRAL OR GROUND MUST BE CONNECTED TO THE COMMON TERMINALS OF THE VARIABLE TRANSFORMER ASSEMBLY. IF THE SYSTEM HAS NO NEUTRAL, THE LOAD MUST BE BALANCED OR THE TRANSFORMER WILL BE DAMAGED.

■ JUMPER PROVIDED IN STANDARD COMMON POSITION AND SHOULD BE MOVED OR REMOVED AS REQUIRED.



SPECIFICATIONS											
WIRING	INPUT		OUTPUT				SHAFT ROTATION TO INCREASE VOLTAGE	TERMINAL CONNECTIONS			
	VOLTS	HERTZ	VOLTS	CONSTANT CURRENT LOAD		CONSTANT IMPEDANCE LOAD		FOR INCREASING VOLTAGE AS VIEWED FROM BASE END ■			
				MAX. AMPS	MAX. KVA	MAX. AMPS		MAX. KVA	INPUT	JUMPER	OUTPUT
THREE PHASE WYE ∏	480	50/60	0-480	9.5	7.90	12	10	CW	2-2-2	4-4-4	3-3-3
				CCW	4-4-4	2-2-2	3-3-3				
	++	60	0-560	9.5	9.21	—	—	CW	1-1-1	4-4-4	3-3-3
				CCW	5-5-5	2-2-2	3-3-3				
++	240	60	0-560	9.5#	3.96 §	—	—	CW	7-7-7	4-4-4	3-3-3
				CCW	6-6-6	2-2-2	3-3-3				

UNLESS OTHERWISE SPECIFIED, TOLERANCE IS ± DECIMALS: HOLES .002 ANGLES 1° DRAFT 1-1/2° .XXX .005		UNITS IN [mm]	TITLE: SPEC. CONTROL DWG. VARIABLE TRANSFORMER MODEL: 1520-3					
MATERIAL:		ALL DIMENSIONS APPLY AFTER PLATING	DRAWN BY: S.A. SMITH DATE: 12/17/98					
The information and design disclosed herein was originated by and is the property of STACO ENERGY PRODUCTS CO., which reserves all patent, proprietary, design, manufacturing, reproduction, use and sale rights thereto, and to any article disclosed therein except to the extent rights are expressly granted to others. The foregoing does not apply to vendor proprietary parts.			CHECKER:	DATE:	WEIGHT APPROX. 66 LBS	CODE IDENT. NO. 83008	DWG. NO. C	DWG. NO. 031-3925
			ENGINEER:	DATE:	SCALE .5=1	SHEET 1 OF 1		