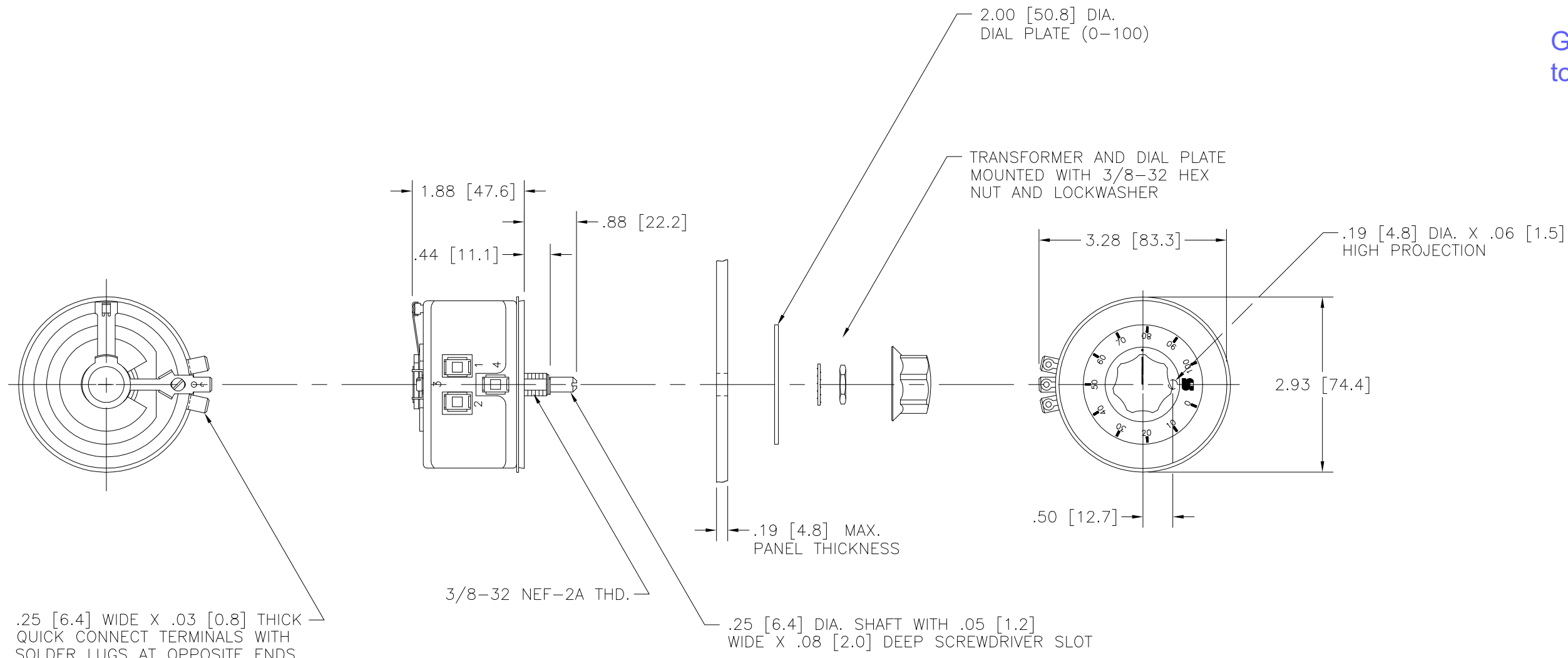
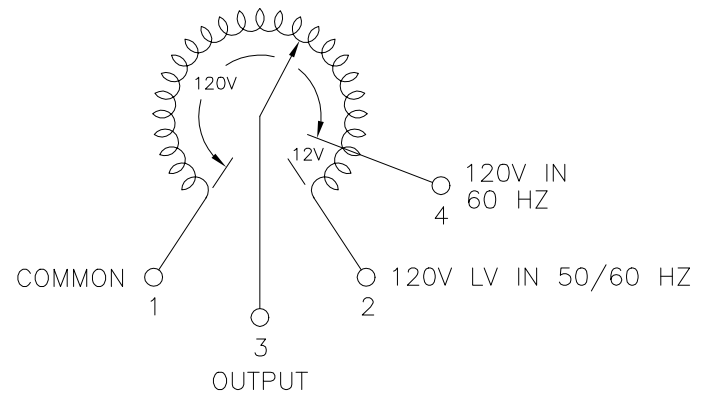


DWG. NO.	031-0201		
REVISIONS			
SYM.	E.C.N.	DATE	APVD.
D	21877	6/12/92	
	REDRAWN W/NEW KNOB		
	22518	3/3/94	
	DIM. 2.93 WAS 2.80		

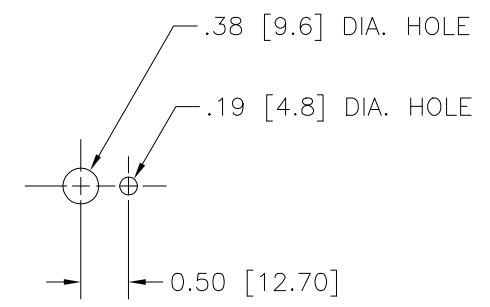
Go to www.VARIAC.com
to purchase and for
technical support.
Made in the USA



.25 [6.4] WIDE X .03 [0.8] THICK
QUICK CONNECT TERMINALS WITH
SOLDER LUGS AT OPPOSITE ENDS



SCHMATIC
VIEWED FROM BASE END



PANEL MTG. DETAIL

SPECIFICATIONS												
WIRING	INPUT		OUTPUT				SHAFT ROTATION TO INCREASE VOLTAGE	TERMINAL CONNECTIONS				
	VOLTS	HERTZ	VOLTS	CONSTANT CURRENT LOAD		CONSTANT IMPEDANCE LOAD		FOR INCREASING VOLTAGE AS VIEWED FROM BASE END				
				MAX. AMPS	MAX. KVA	MAX. AMPS		MAX. KVA	INPUT	JUMPER	OUTPUT	
SINGLE PHASE	120	50/60	0-120	2.0	0.24	2.5	0.30	CW	1-2	---	1-3	
		60	0-132	2.0	0.26	---	---	CCW	1-2	---	2-3	
								CW	1-4	---	1-3	

UNLESS OTHERWISE SPECIFIED, TOLERANCE IS #				UNITS		TITLE: SPEC. CONTROL DWG. VARIABLE TRANSFORMER TYPE: 201							
DECIMALS	Holes	ANGLES	DRAFT	IN	MM								
.XX, .XXX, .005	.002	1°	1-1/2°										
MATERIAL:				ALL DIMENSIONS APPLY AFTER PLATING		DRAWN BY: K. TOLLIVER		DATE: 1/27/92		FIRST USED ON: 031-0201			
The information and design disclosed herein was originated by and is the property of STACO ENERGY PRODUCTS CO., which reserves all patent, proprietary, design, manufacturing, reproduction, use and sale rights thereto, and to any article disclosed therein except to the extent rights are expressly granted to others. The foregoing does not apply to vendor proprietary parts.				CHECKER:		DATE:		WEIGHT APPROX. 2 LBS.		DO NOT SCALE DWG.			
				ENGINEER:		DATE:		SCALE 1=1		SHEET 1 OF 1		CUSTOMER APPROVAL	
												DWG. NO. 031-0201	