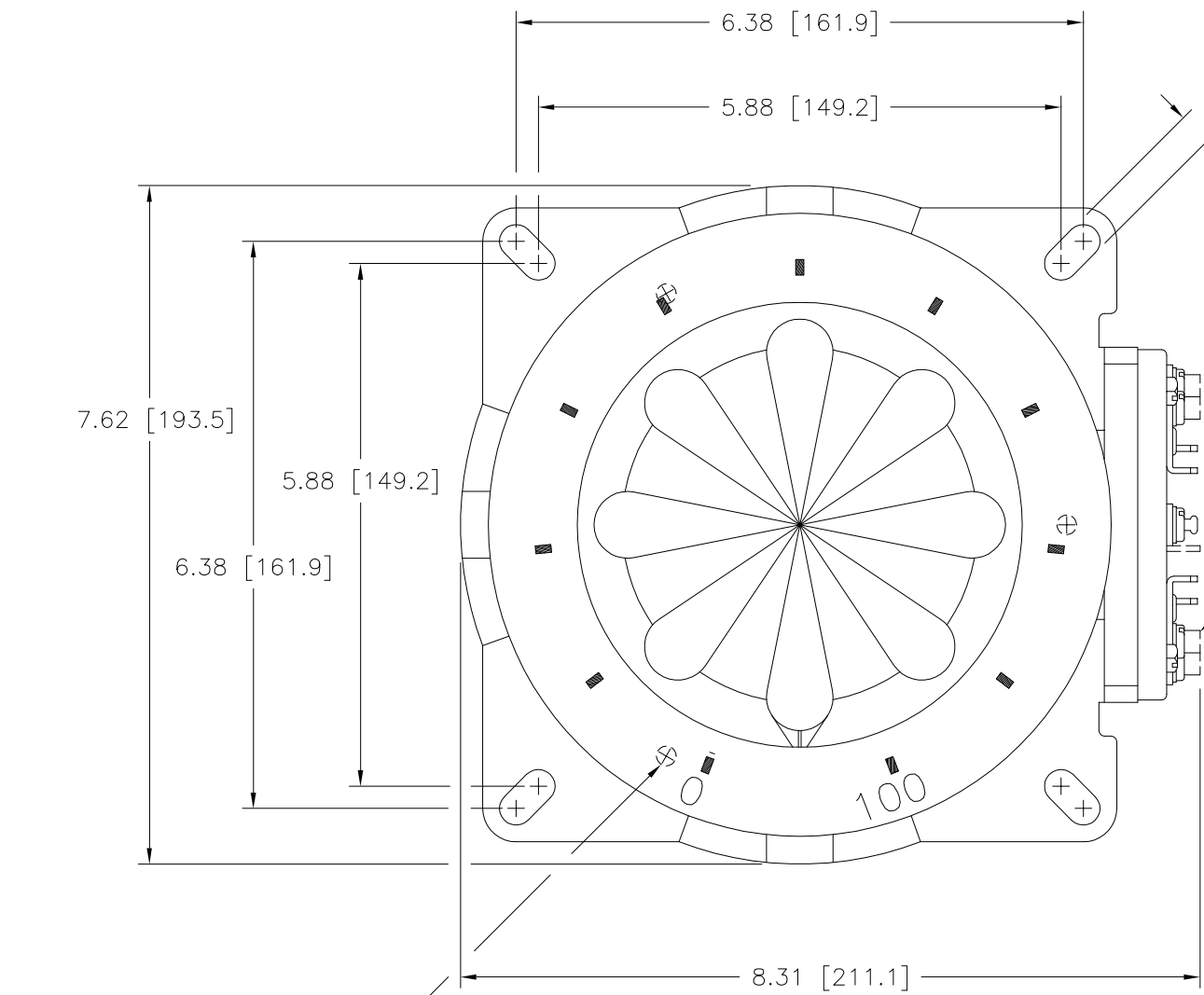


DWG. NO.	031-4301		
REVISIONS			
SYM.	E.C.N.	DATE	APVD.
G	21675	12/04/91	
REVISED & REDRAWN			
25591 10/25/05			
TERM. # WAS 240V			

Go to VARIAAC.com
to purchase and for
technical support.
Made in the USA



1/4-28 X .38 [9.6] DEEP
(3) HOLES 120° APART
ON A 6.00 [152.4] DIA.
BOLT CIRCLE

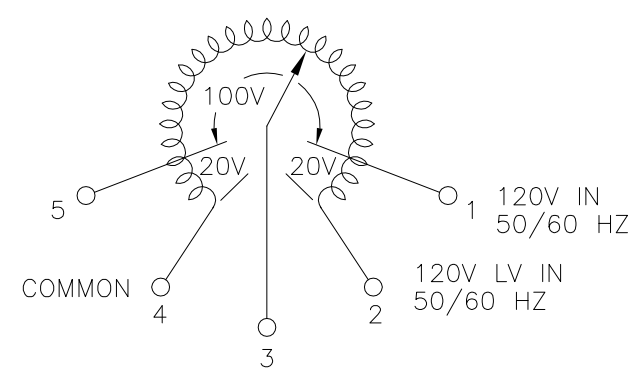
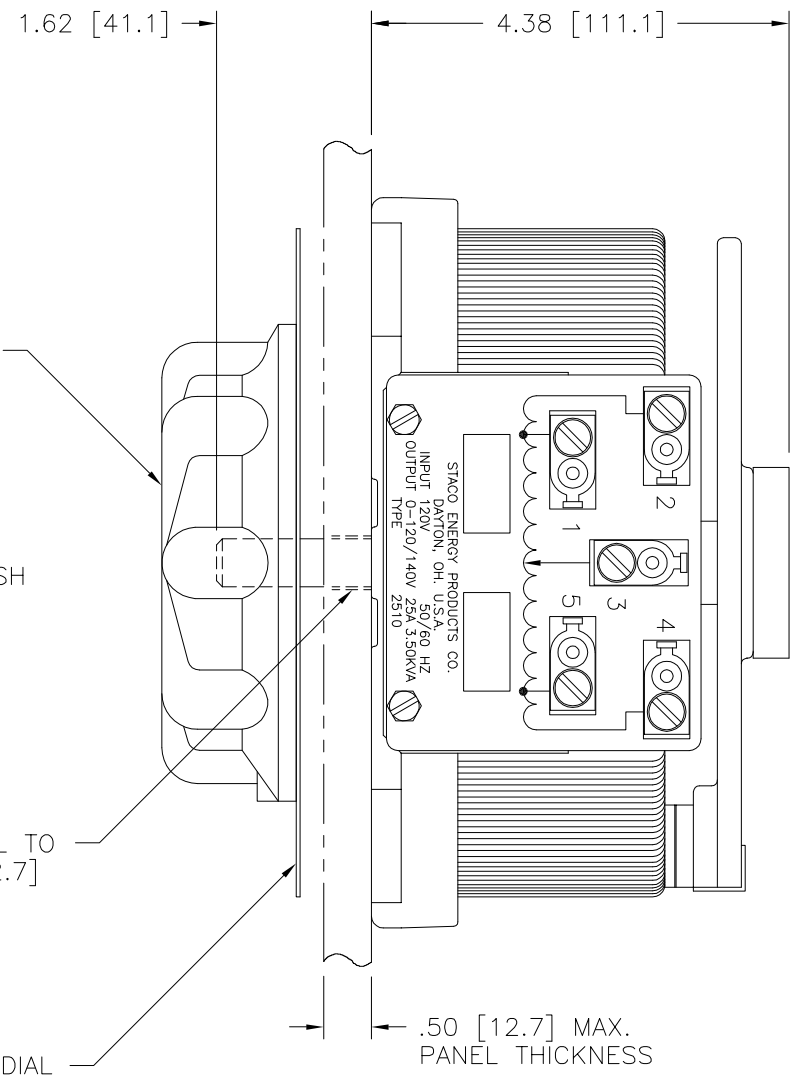
(4) SLOTS FOR .38 [9.6]
DIA. MOUNTING HARDWARE

OPTIONAL TERMINALS FOR PUSH
ON OR SOLDER CONNECTIONS
(.032 X .250) [0.8 X 6.4]

5.00 [127.0]
DIA. KNOB

HOLE IN PANEL TO
CLEAR .50 [12.7]
DIA. SHAFT

7.00 [177.8] DIA. DIAL
PLATE GRADUATED (0-100)



SCHEMATIC
AS VIEWED FROM ROTOR END

SPECIFICATIONS												
WIRING	INPUT		OUTPUT				SHAFT ROTATION TO INCREASE VOLTAGE	TERMINAL CONNECTIONS				
	VOLTS	HERTZ	VOLTS	CONSTANT CURRENT LOAD		CONSTANT IMPEDANCE LOAD		FOR INCREASING VOLTAGE AS VIEWED FROM BASE END				
				MAX. AMPS	MAX. KVA	MAX. AMPS		MAX. KVA	INPUT	JUMPER	OUTPUT	
SINGLE PHASE	120	50/60	0-120	25	3.00	30	3.6	CW	2-4	---	4-3	
			0-140	25	3.50	---	---	CCW	2-4	---	2-3	
								CW	1-4	---	4-3	
								CCW	2-5	---	2-3	

UNLESS OTHERWISE SPECIFIED, TOLERANCE IS ±
DECIMALS .010
Holes .005
ANGLES 1°
DRAFT 1-1/2°
UNITS IN [mm]
MATERIAL: ALL DIMENSIONS APPLY AFTER PLATING

TITLE: SPEC. CONTROL DRAWING
VARIABLE TRANSFORMER
TYPE: 2510

STACO ENERGY PRODUCTS CO.
A Components Corporation of America Company
302 South Boulevard Dayton, Ohio 45408 USA

DRAWN BY: K. TOLLIVER
DATE: 11/27/91
FIRST USED ON: 2510
DO NOT SCALE DWG.

CHECKER: DATE: WEIGHT APPROX. 21 LBS.
CAGE CODE 83008

ENGINEER: DATE: SCALE 1=1
SHEET 1 OF 1

DWG. NO. 031-4301