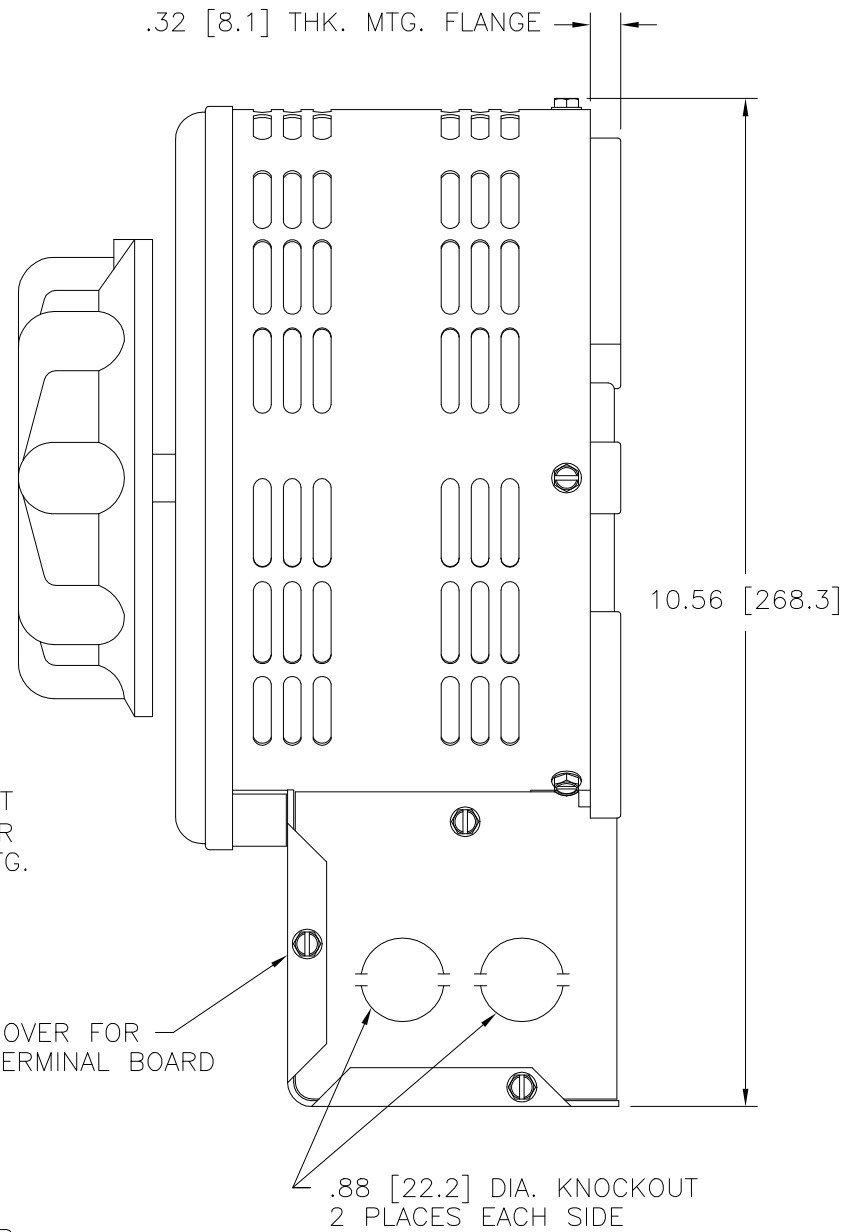
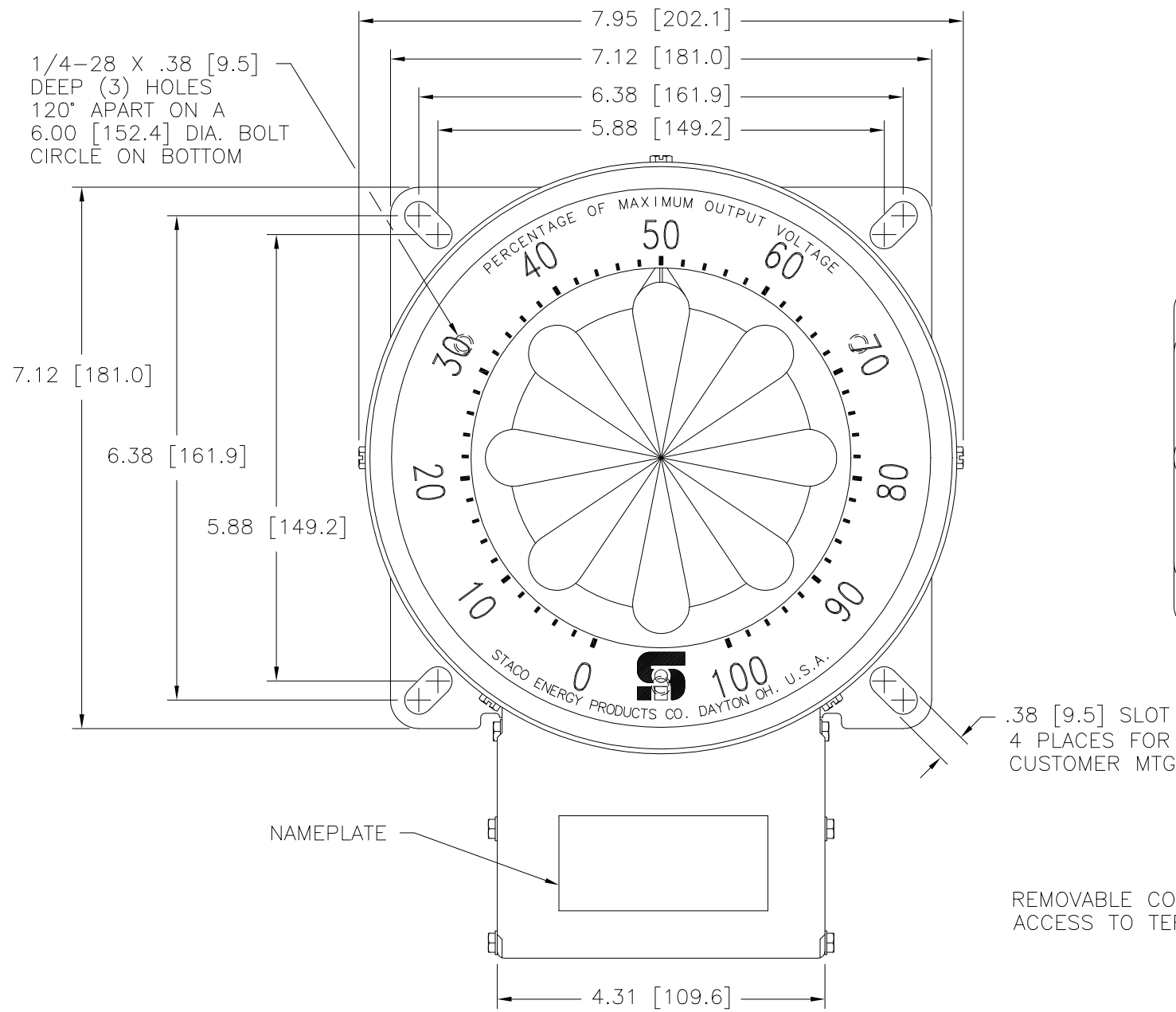
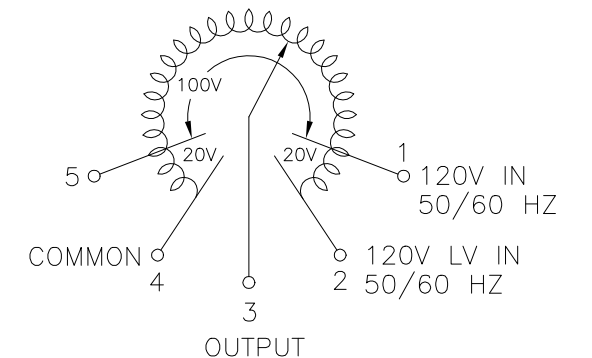


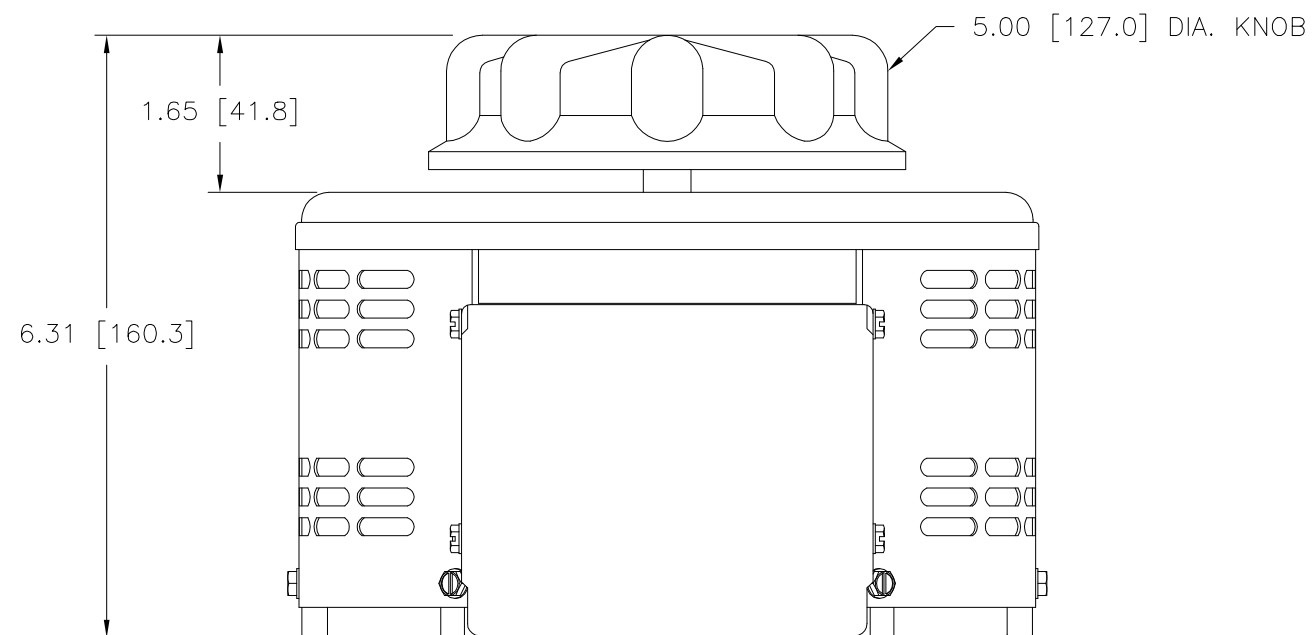
Go to [VARIAC.com](http://VARIAC.com)  
to purchase and for  
technical support.  
Made in the USA



NOTE:  
UNIT IS SUPPLIED WITH A 7.00 [177.8] DIA.  
0-100 GRADUATED DIAL PLATE FOR PANEL  
MOUNTING.



COIL SCHEMATIC  
AS VIEWED FROM BASE END  
FUSE RECOMMENDED BUT  
NOT SUPPLIED



SPECIFICATIONS											
WIRING	INPUT		OUTPUT				SHAFT ROTATION TO INCREASE VOLTAGE	TERMINAL CONNECTIONS			
	VOLTS	HERTZ	VOLTS	CONSTANT CURRENT LOAD		CONSTANT IMPEDANCE LOAD		FOR INCREASING VOLTAGE AS VIEWED FROM BASE END			
				MAX. AMPS	MAX. KVA	MAX. AMPS		MAX. KVA	INPUT	JUMPER	OUTPUT
SINGLE PHASE	120	50/60	0-120	25	3.00	30	3.6	CW	2-4	---	4-3
			0-140	25	3.50	---	---	CCW	2-4	---	2-3
								CW	1-4	---	4-3
								CCW	2-5	---	2-3

UNLESS OTHERWISE SPECIFIED, TOLERANCE IS ±  
DECIMALS .XX  
HOLES .01  
ANGLES 1°  
DRAFT 1-1/2°  
UNITS IN [mm]  
MATERIAL: ALL DIMENSIONS APPLY AFTER PLATING

TITLE: SPEC. CONTROL DRAWING  
VARIABLE TRANSFORMER  
MODEL: 2510CT



DRWN BY S.A. SMITH  
CHECKER  
ENGINEER

DATE 1/3/2001  
FIRST USED ON 2510CT  
WEIGHT APPROX. 21 LBS  
SCALE 1=1

DO NOT SCALE DWG.  
CODE IDENT. NO. 83008  
DWG. NO. 031-5001  
SHEET 1 OF 1