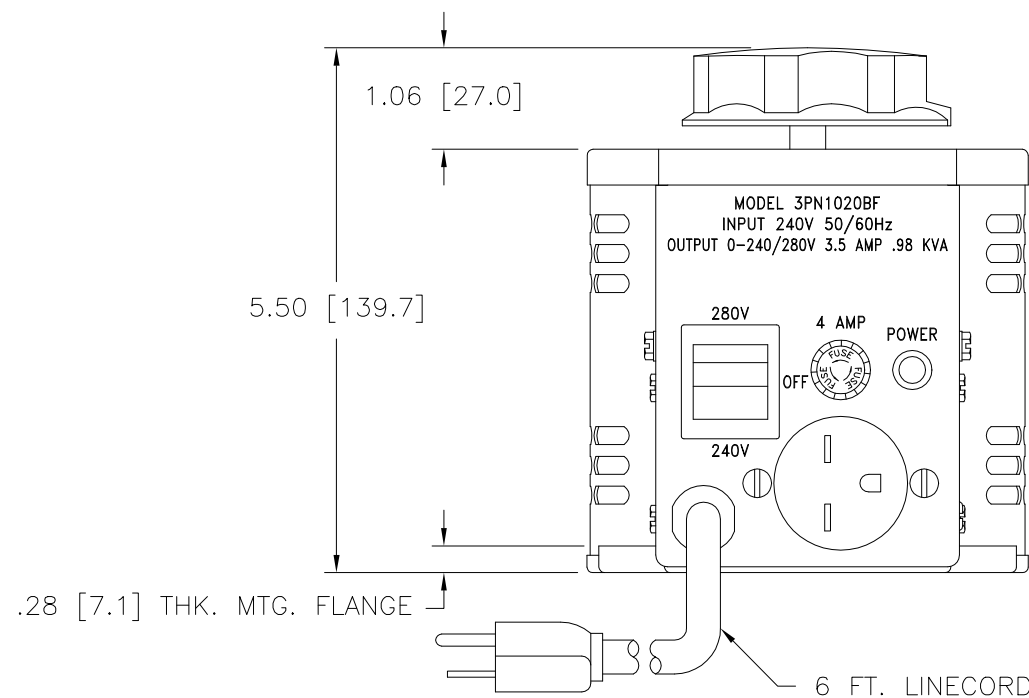
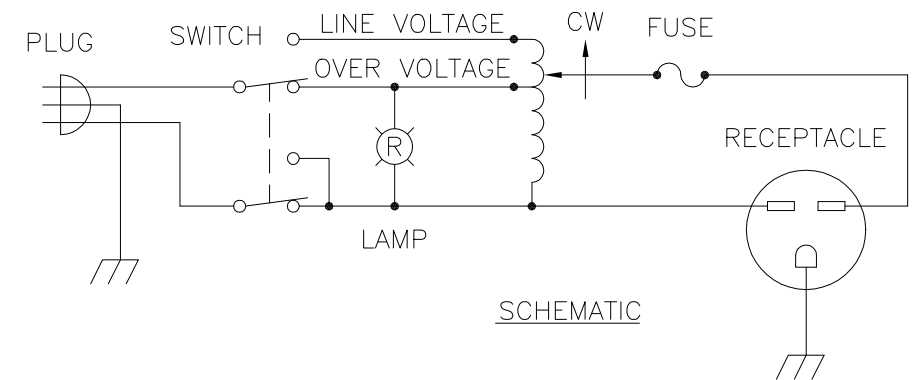
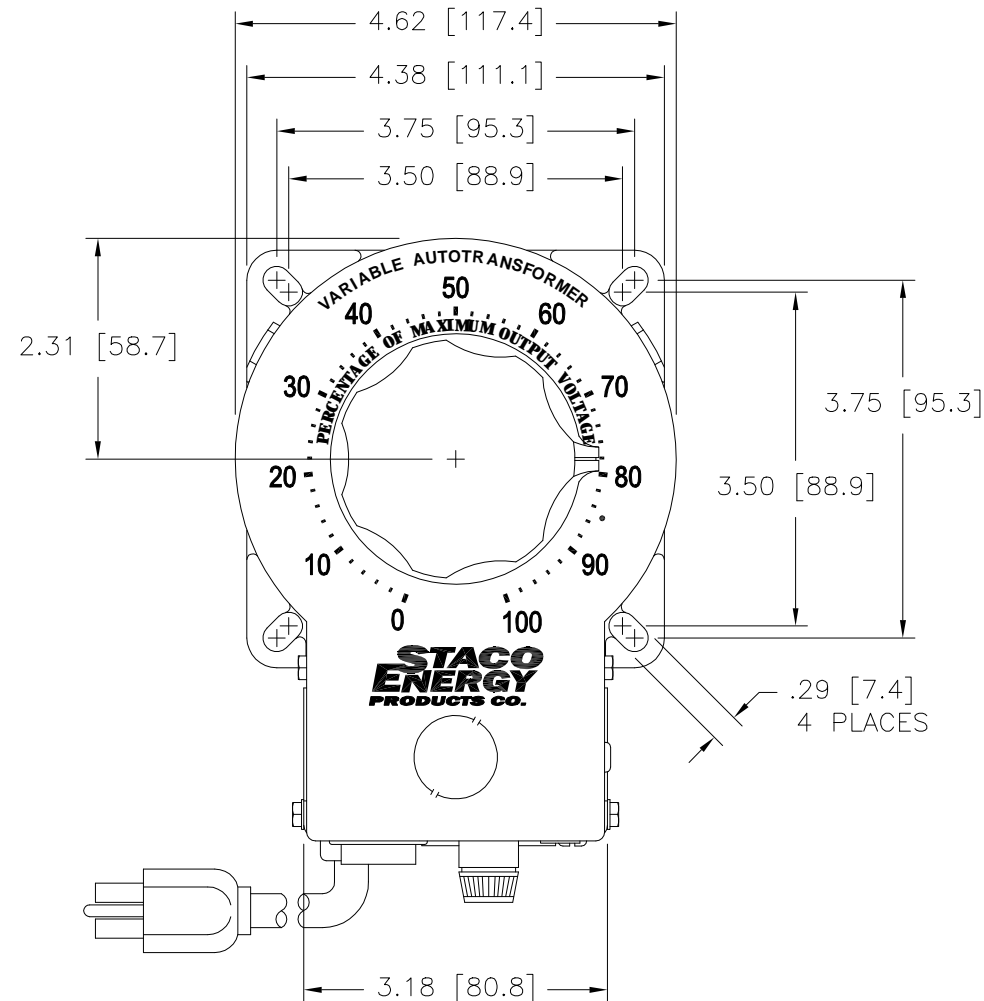
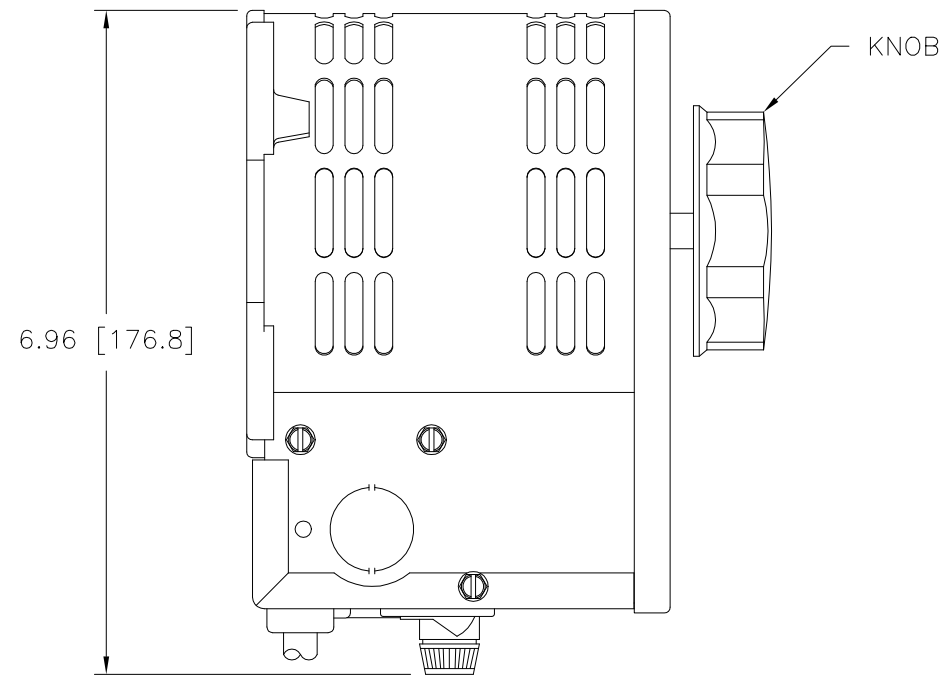


DWG. NO.	031-2346		
REVISIONS			
SYM.	E.C.N.	DATE	APVD.
A	24536	3/13/01	
REVISED SILKSCREEN			

Go to VARIAC.com
to purchase and for
technical support.
Made in the USA



SPECIFICATIONS							
WIRING	INPUT		OUTPUT				
	VOLTS	HERTZ	VOLTS	CONSTANT CURRENT LOAD	CONSTANT IMPEDANCE LOAD		
SINGLE PHASE	240	50/60	0-240	MAX. AMPS	MAX. KVA	MAX. AMPS	MAX. KVA
			0-280	3.5	0.84	5.0	1.20
			3.5	0.98	—	—	

UNLESS OTHERWISE SPECIFIED, TOLERANCE IS ±		UNITS		TITLE: SPEC. CONTROL DRAWING			
DECIMALS	Holes	ANGLES	DRAFT	IN	MM		
.XX	.0000	.01	1°	1-1/2°		DRAWN BY: S.A. SMITH	
.005						DATE: 7/2/99	
MATERIAL:		ALL DIMENSIONS APPLY AFTER PLATING		FIRST USED ON: 3PN1020BF		DO NOT SCALE DWG.	
The information and design disclosed herein was originated by and is the property of STACO ENERGY PRODUCTS CO., which reserves all patent, proprietary, design, manufacturing, reproduction, use and sale rights thereto, and to any article disclosed therein except to the extent rights are expressly granted to others. The foregoing does not apply to vendor proprietary parts.				CHECKER:		CAGE CODE: 83008	
				DATE:		WEIGHT APPROX.: 10.25 LBS	
				ENGINEER:		SCALE: 1=1	
SHEET 1 OF 1		DWG. NO. 031-2346		D			