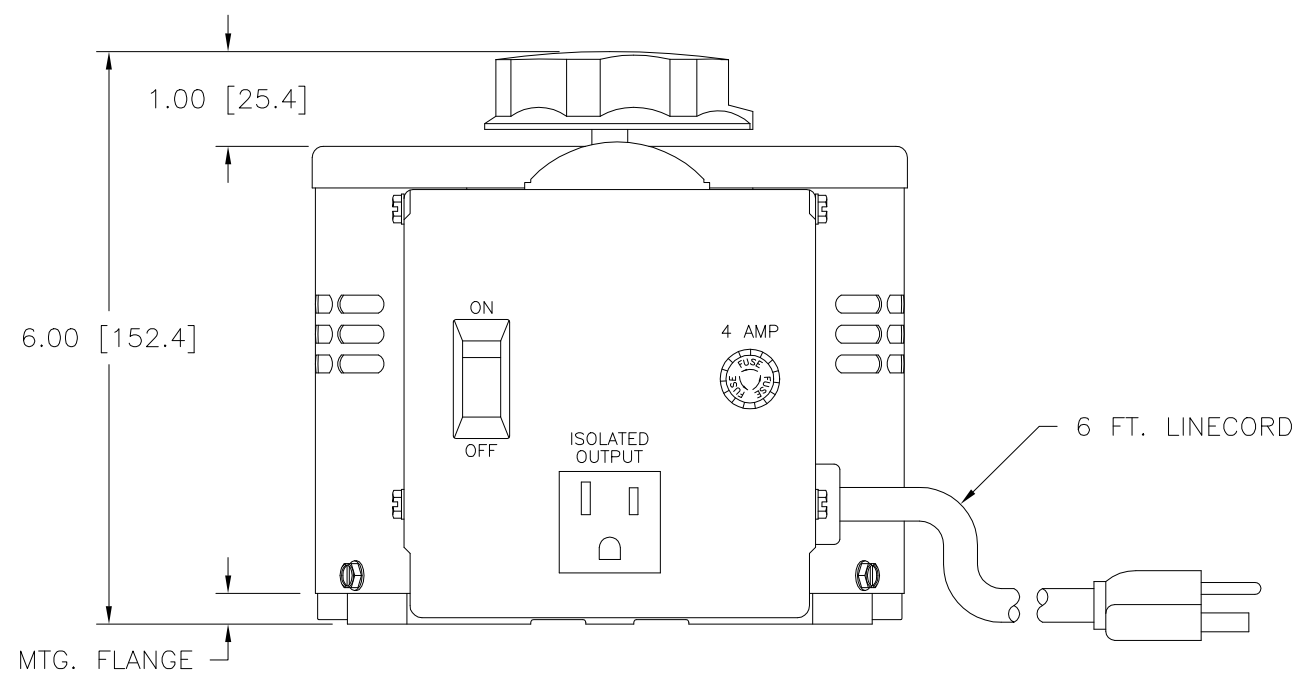
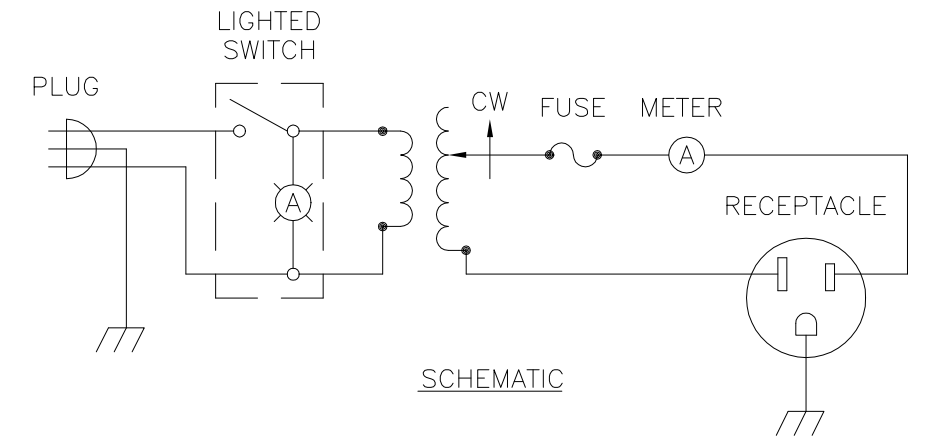
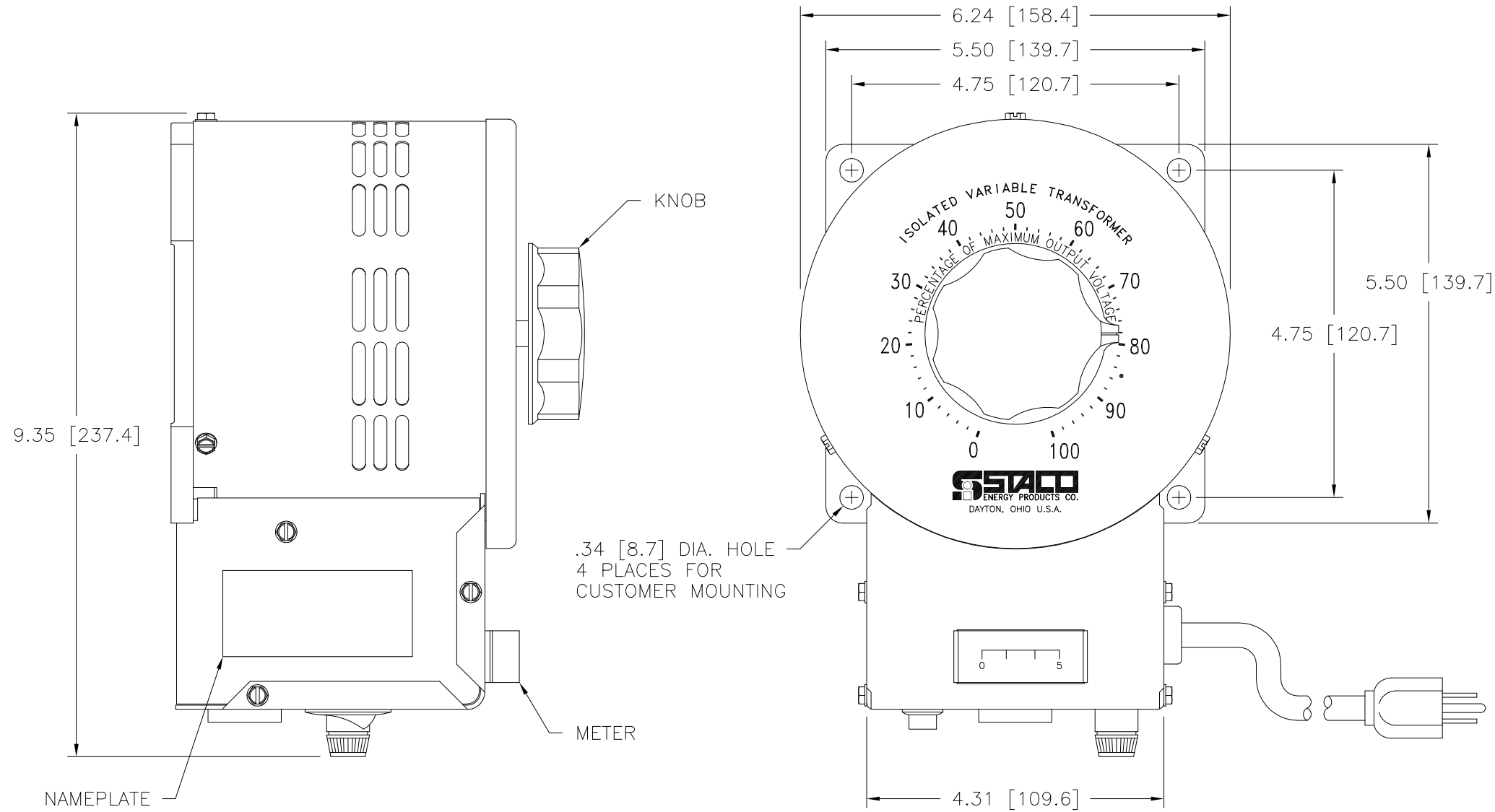


Go to VARIAC.com
 to purchase and for
 technical support.
 Made in the USA



SPECIFICATIONS					
WIRING	INPUT		OUTPUT		
	VOLTS	HERTZ	VOLTS	CONSTANT CURRENT LOAD	
				MAX. AMPS	MAX. KVA
SINGLE PHASE	120	50/60	0-140	4	0.56

UNLESS OTHERWISE SPECIFIED, TOLERANCE IS #		UNITS		TITLE: SPEC. CONTROL DRAWING		STACO ENERGY PRODUCTS CO.	
DECIMALS	HOLES	ANGLES	DRAFT	IN	MM	A COMPONENTS CORPORATION OF AMERICA COMPANY	
.XX	.0000	.01	1°	1-1/2°		DAYTON, OHIO U.S.A.	
MATERIAL:		ALL DIMENSIONS APPLY AFTER PLATING		DRAWN BY S.A. SMITH		DATE 6/4/96	
The information and design disclosed herein was originated by and is the property of STACO ENERGY PRODUCTS CO., which reserves all patent, proprietary, design, manufacturing, reproduction, use and sale rights thereto, and to any article disclosed therein except to the extent rights are expressly granted to others. The foregoing does not apply to vendor proprietary parts.		FIRST USED ON 3PNJ401BA		DO NOT SCALE DWG.		CUSTOMER APPROVAL	
CHECKER	DATE	WEIGHT APPROX. 21 LBS	CODE IDENT. NO. 83008	DWG. NO. 031-8877	DATE		
ENGINEER	DATE	SCALE 1=1	SHEET 1 OF 1				