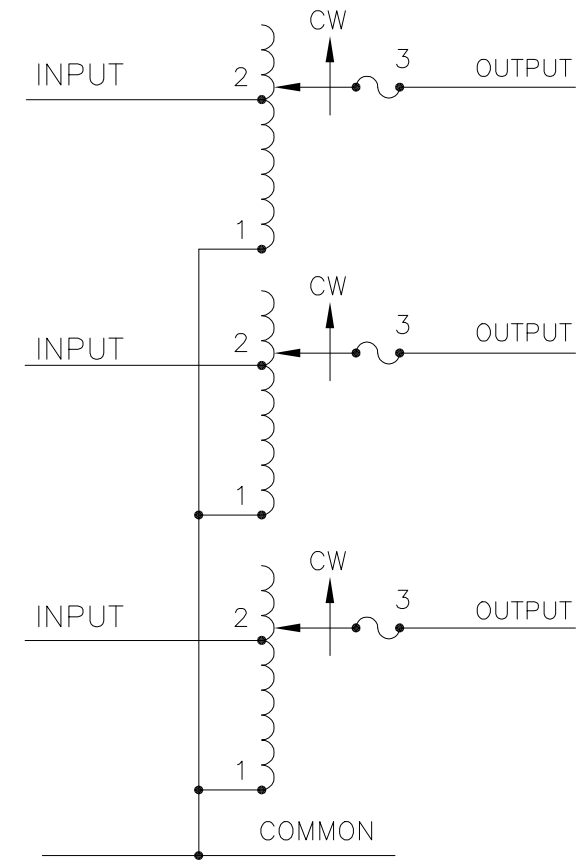
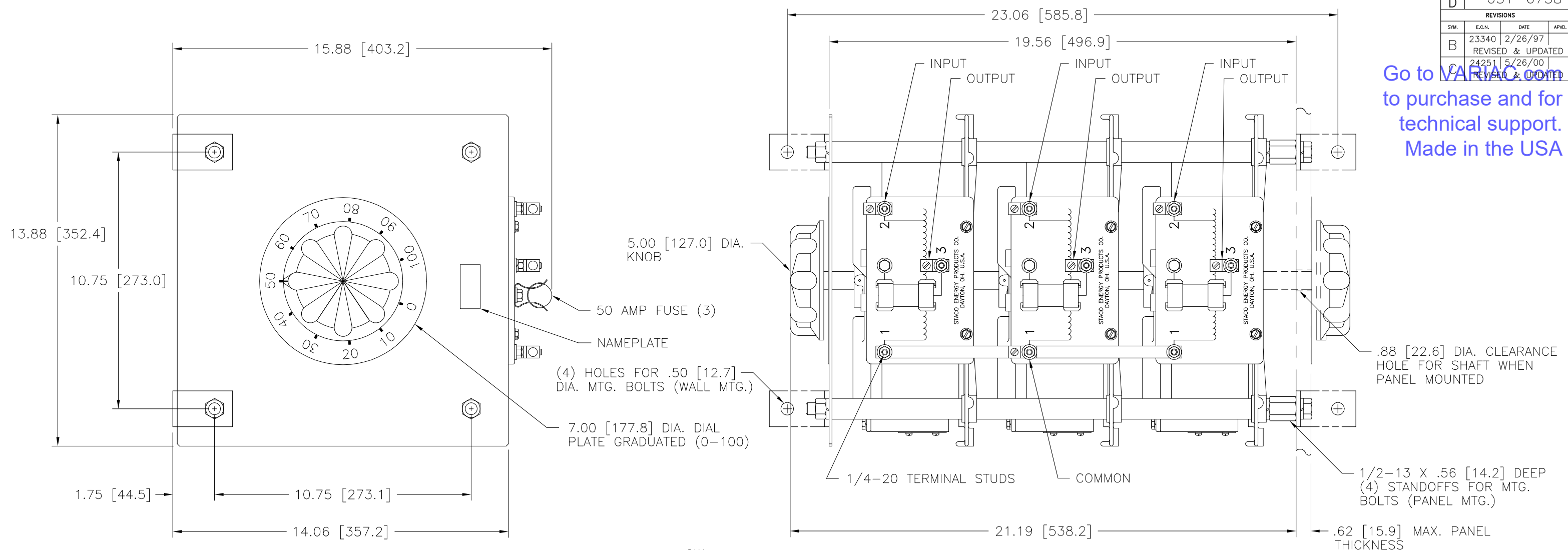


DWG. NO.	031-6738		
REVISIONS			
SYM.	E.C.N.	DATE	APVD.
B	23340	2/26/97	
REVISED & UPDATED			
C	24251	5/26/00	
REVISED & UPDATED			

Go to [www.VARIAC.com](http://www.VARIAC.com)  
to purchase and for  
technical support.  
Made in the USA



SPECIFICATIONS									
WIRING	INPUT		OUTPUT			SHAFT ROTATION TO INCREASE VOLTAGE	TERMINAL CONNECTIONS		
	VOLTS	HERTZ	VOLTS	MAX. AMPS	MAX. KVA		FOR INCREASING VOLTAGE AS VIEWED FROM ROTOR END		
THREE PHASE WYE	240	60	0-280	50	24.2	CW	INPUT	JUMPER	OUTPUT
							2-2-2	—	3-3-3

UNLESS OTHERWISE SPECIFIED, TOLERANCE IS #	UNITS	TITLE:																								
DECIMALS .06	IN [mm]	SPEC. CONTROL DRAWING																								
Holes .002		VARIABLE TRANSFORMER																								
ANGLES 1°		TYPE: 5011-3Y																								
DRAFT 1-1/2°																										
MATERIAL:	ALL DIMENSIONS APPLY AFTER PLATING																									
<table border="1"> <tr> <td>DRAWN BY</td> <td>DATE</td> <td>FIRST USED ON</td> <td>DO NOT SCALE DWG.</td> <td>CUSTOMER APPROVAL</td> <td>DATE</td> </tr> <tr> <td>TIM RAU</td> <td>2/25/97</td> <td></td> <td></td> <td></td> <td></td> </tr> <tr> <td>CHECKER</td> <td>DATE</td> <td>WEIGHT APPROX.</td> <td>CODE IDENT. NO. 83008</td> <td>DWG. NO.</td> <td>DWG. NO.</td> </tr> <tr> <td>ENGINEER</td> <td>DATE</td> <td>SCALE .50=1</td> <td>SHEET 1 OF 1</td> <td>D</td> <td>031-6738</td> </tr> </table>			DRAWN BY	DATE	FIRST USED ON	DO NOT SCALE DWG.	CUSTOMER APPROVAL	DATE	TIM RAU	2/25/97					CHECKER	DATE	WEIGHT APPROX.	CODE IDENT. NO. 83008	DWG. NO.	DWG. NO.	ENGINEER	DATE	SCALE .50=1	SHEET 1 OF 1	D	031-6738
DRAWN BY	DATE	FIRST USED ON	DO NOT SCALE DWG.	CUSTOMER APPROVAL	DATE																					
TIM RAU	2/25/97																									
CHECKER	DATE	WEIGHT APPROX.	CODE IDENT. NO. 83008	DWG. NO.	DWG. NO.																					
ENGINEER	DATE	SCALE .50=1	SHEET 1 OF 1	D	031-6738																					

