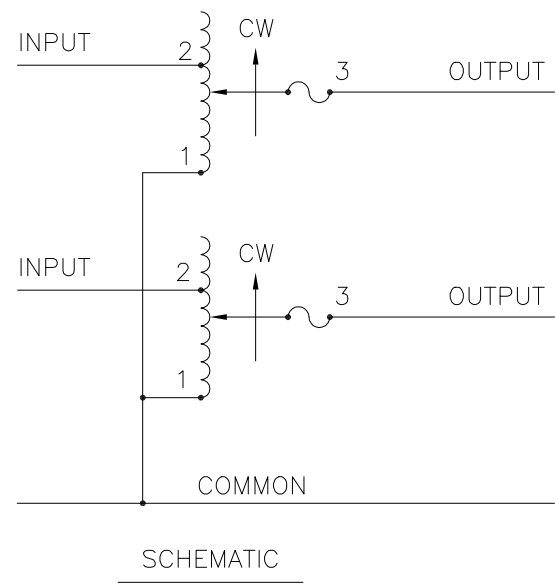
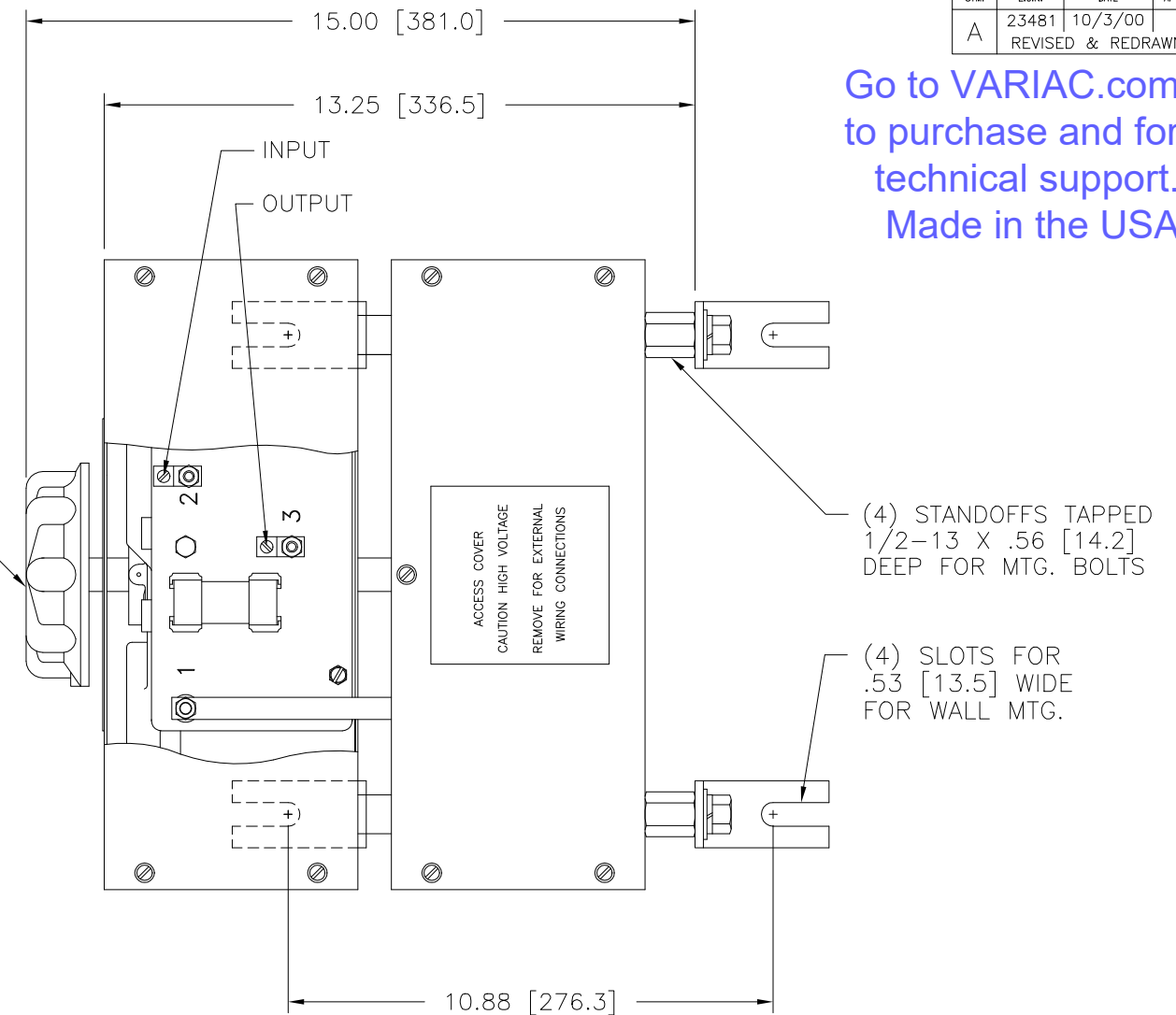
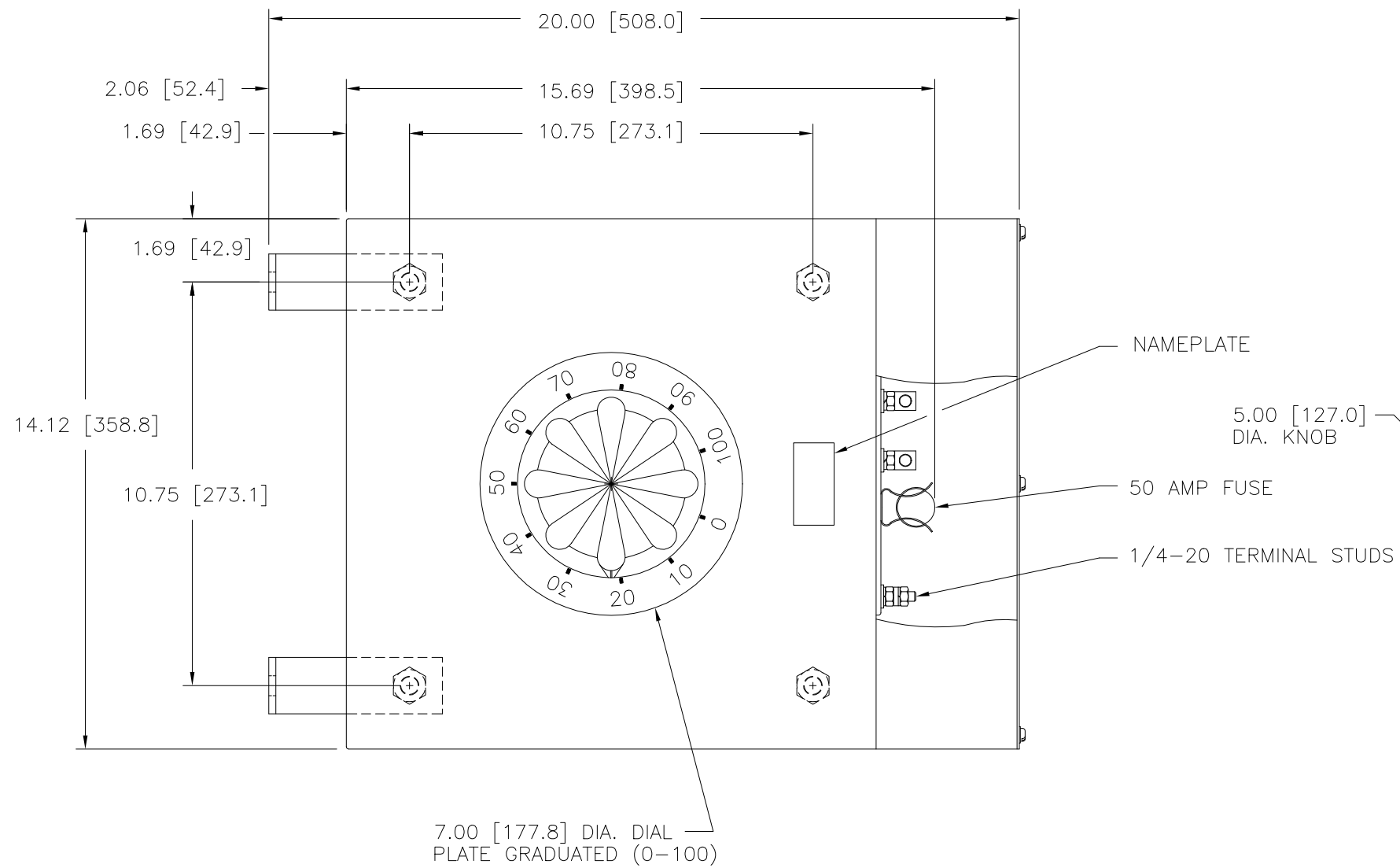


Go to VARIAC.com
 to purchase and for
 technical support.
 Made in the USA



| SPECIFICATIONS | | | | | | | | |
|---------------------|-------|-------|--------|-----------|----------|------------------------------------|--|--------|
| WIRING | INPUT | | OUTPUT | | | SHAFT ROTATION TO INCREASE VOLTAGE | TERMINAL CONNECTIONS FOR INCREASING VOLTAGE AS VIEWED FROM ROTOR END | |
| | VOLTS | HERTZ | VOLTS | MAX. AMPS | MAX. KVA | | INPUT | OUTPUT |
| SINGLE PHASE SERIES | 240 | 50/60 | 0-280 | 50 | 14.0 | CW | 2-2 | 3-3 |

| | | | | | | | | | |
|---|-----------|--------|--------|------------------------------------|----|--|---------------|---|-------------------|
| UNLESS OTHERWISE SPECIFIED, TOLERANCE IS # | | | | UNITS | | TITLE: SPEC. CONTROL DWG. VARIABLE TRANSFORMER TYPE: 5011CT-2S | | STACO ENERGY PRODUCTS CO. A COMPONENTS CORPORATION OF AMERICA COMPANY DAYTON, OHIO U.S.A. | |
| DECIMALS | Holes | ANGLES | DRAFT | IN | MM | DATE | FIRST USED ON | DO NOT SCALE DWG. | CUSTOMER APPROVAL |
| .XX, .XXX, .XXX | .06, .005 | 1° | 1-1/2° | | | 9/12/96 | | | |
| MATERIAL: | | | | ALL DIMENSIONS APPLY AFTER PLATING | | CHECKER | DATE | WEIGHT APPROX. | CODE IDENT. NO. |
| The information and design disclosed herein was originated by and is the property of STACO ENERGY PRODUCTS CO., which reserves all patent, proprietary, design, manufacturing, reproduction, use and sale rights thereto, and to any article disclosed therein except to the extent rights are expressly granted to others. The foregoing does not apply to vendor proprietary parts. | | | | | | ENGINEER | DATE | SCALE | DWG. NO. |
| | | | | | | | | .5=1 | 031-6031 |
| | | | | | | | | SHEET 1 OF 1 | D |