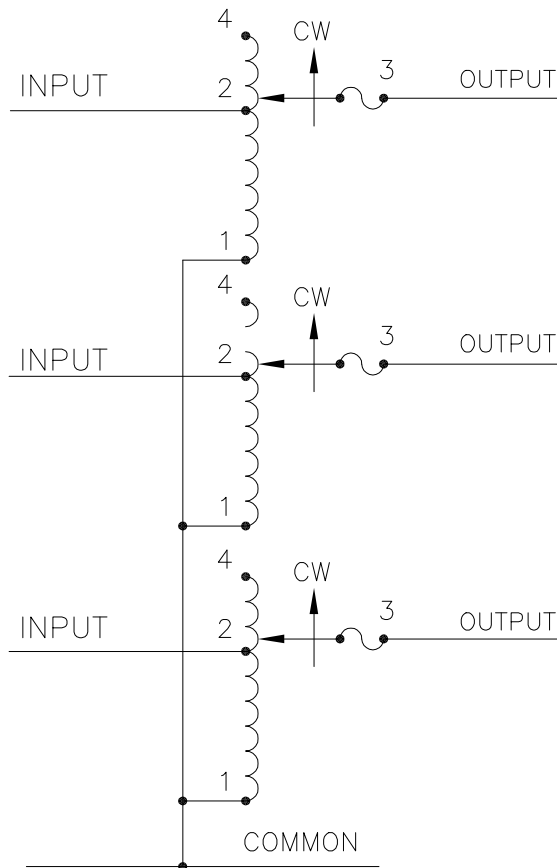
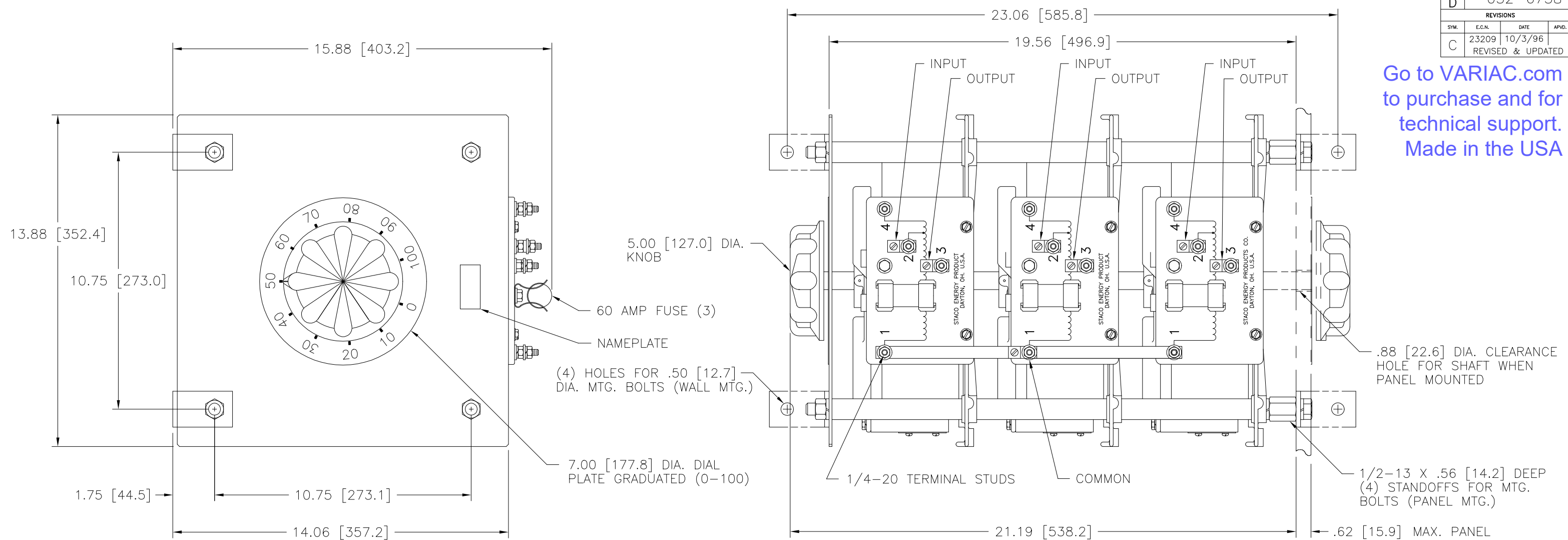


DWG. NO.	032-6738		
REVISIONS			
SYM.	E.C.N.	DATE	APVD.
C	23209	10/3/96	
REVISED & UPDATED			

Go to [VARIAC.com](http://VARIAC.com)  
to purchase and for  
technical support.  
Made in the USA



SPECIFICATIONS									
WIRING	INPUT		OUTPUT			SHAFT ROTATION TO INCREASE VOLTAGE	TERMINAL CONNECTIONS		
	VOLTS	HERTZ	VOLTS	MAX. AMPS	MAX. KVA		FOR INCREASING VOLTAGE AS VIEWED FROM ROTOR END		
THREE PHASE WYE	240	60	0-240	60	24.9	CW	4-4-4	—	3-3-3
			0-280	60	29.1	CW	2-2-2	—	3-3-3

UNLESS OTHERWISE SPECIFIED, TOLERANCE IS #				UNITS		TITLE: SPEC. CONTROL DRAWING					
DECIMALS	Holes	ANGLES	DRAFT	IN [mm]		VARIABLE TRANSFORMER					
.XX, .XXX, .005	.002	1°	1-1/2°	ALL DIMENSIONS APPLY AFTER PLATING		TYPE: 6011-3Y					
MATERIAL:				DRAWN BY		DATE		FIRST USED ON		DO NOT SCALE DWG.	
				TIM RAU		10/4/96		P-165		CUSTOMER APPROVAL	
				CHECKER		DATE		WEIGHT APPROX.		CODE IDENT. NO.	
										83008	
				ENGINEER		DATE		SCALE		DWG. NO.	
								.50=1		D 032-6738	
								SHEET 1 OF 1			

