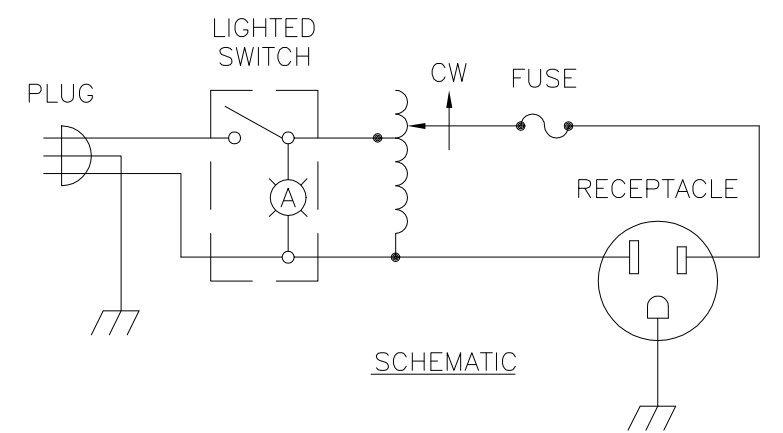
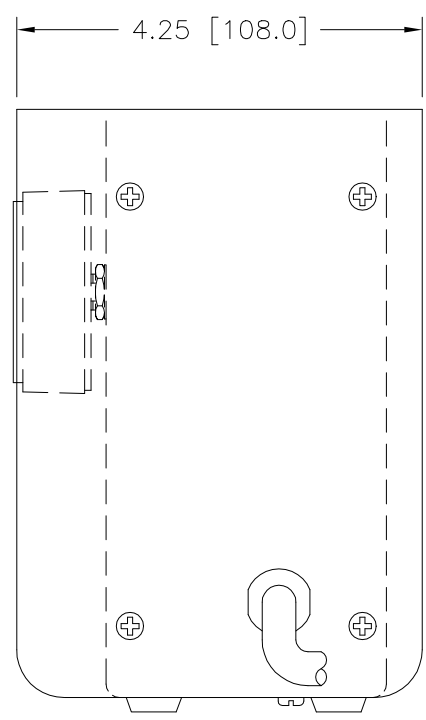
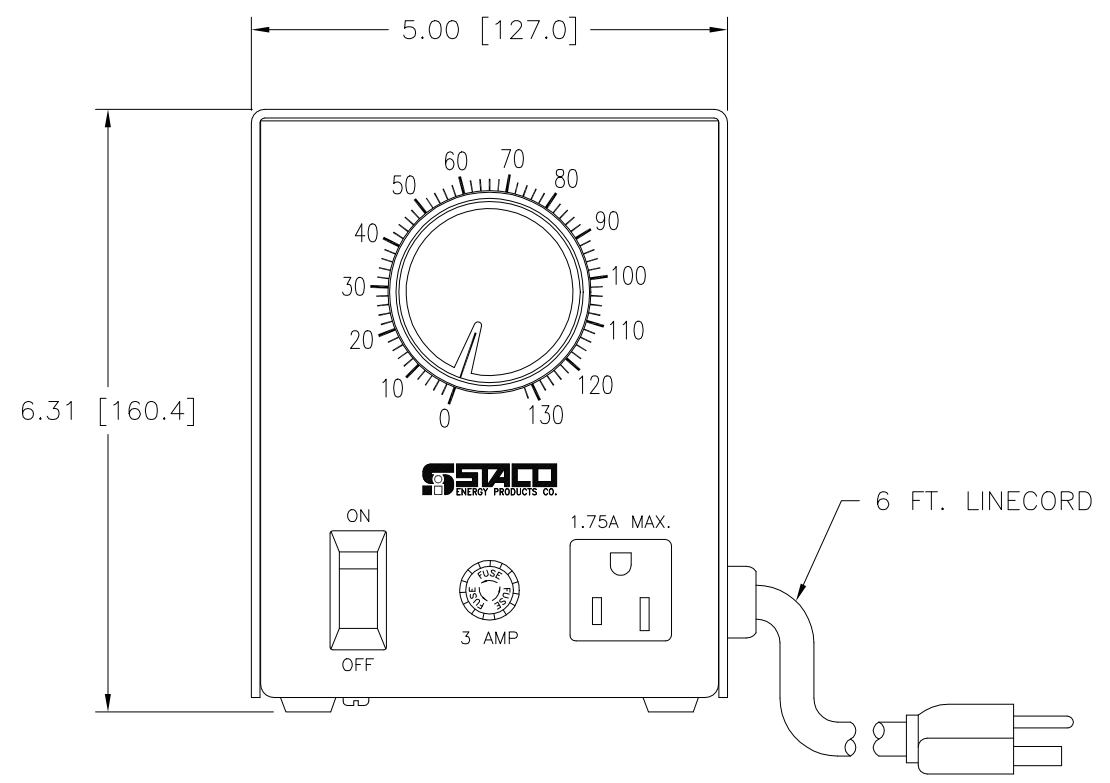
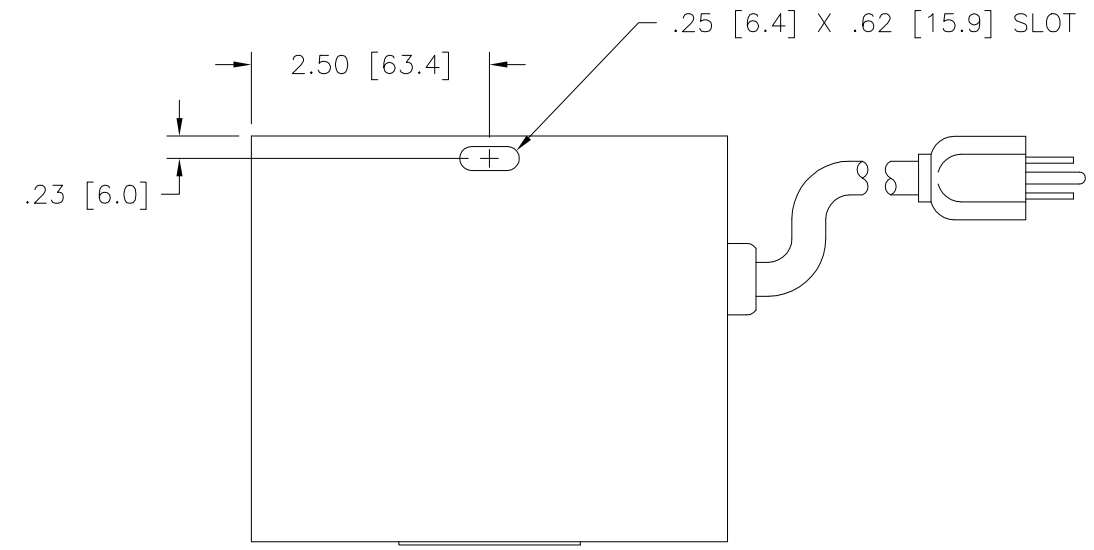


Go to VARIAC.com
to purchase and for
technical support.
Made in the USA



SPECIFICATIONS					
WIRING	INPUT		OUTPUT		
	VOLTS	HERTZ	VOLTS	CONSTANT CURRENT LOAD	
SINGLE PHASE	120	60	0-132	MAX. AMPS	MAX. KVA
				1.75	0.23

UNLESS OTHERWISE SPECIFIED, TOLERANCE IS #		UNITS		TITLE:	
DECIMALS	Holes	ANGLES	DRAFT	SPEC. CONTROL DRAWING	
.XX	.0000	.01	1°	VARIABLE AC POWER SOURCE	
.XXX	.005		1-1/2°	MODEL: L221B	
MATERIAL:		ALL DIMENSIONS APPLY AFTER PLATING		DRAWN BY	
				S.A. SMITH	
				DATE	
				3/4/99	
				FIRST USED ON	
				DO NOT SCALE DWG.	
				CUSTOMER APPROVAL	
				DATE	
				CHECKER	
				DATE	
				WEIGHT APPROX.	
				CODE IDENT. NO.	
				83008	
				DWG. NO.	
				065-1025	
				SCALE	
				1=1	
				SHEET 1 OF 1	
				DWG. SIZE	
				D	

