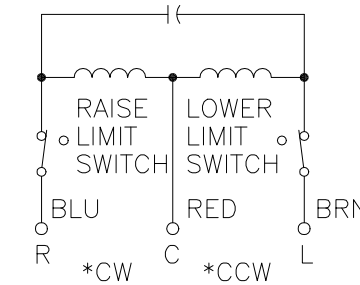
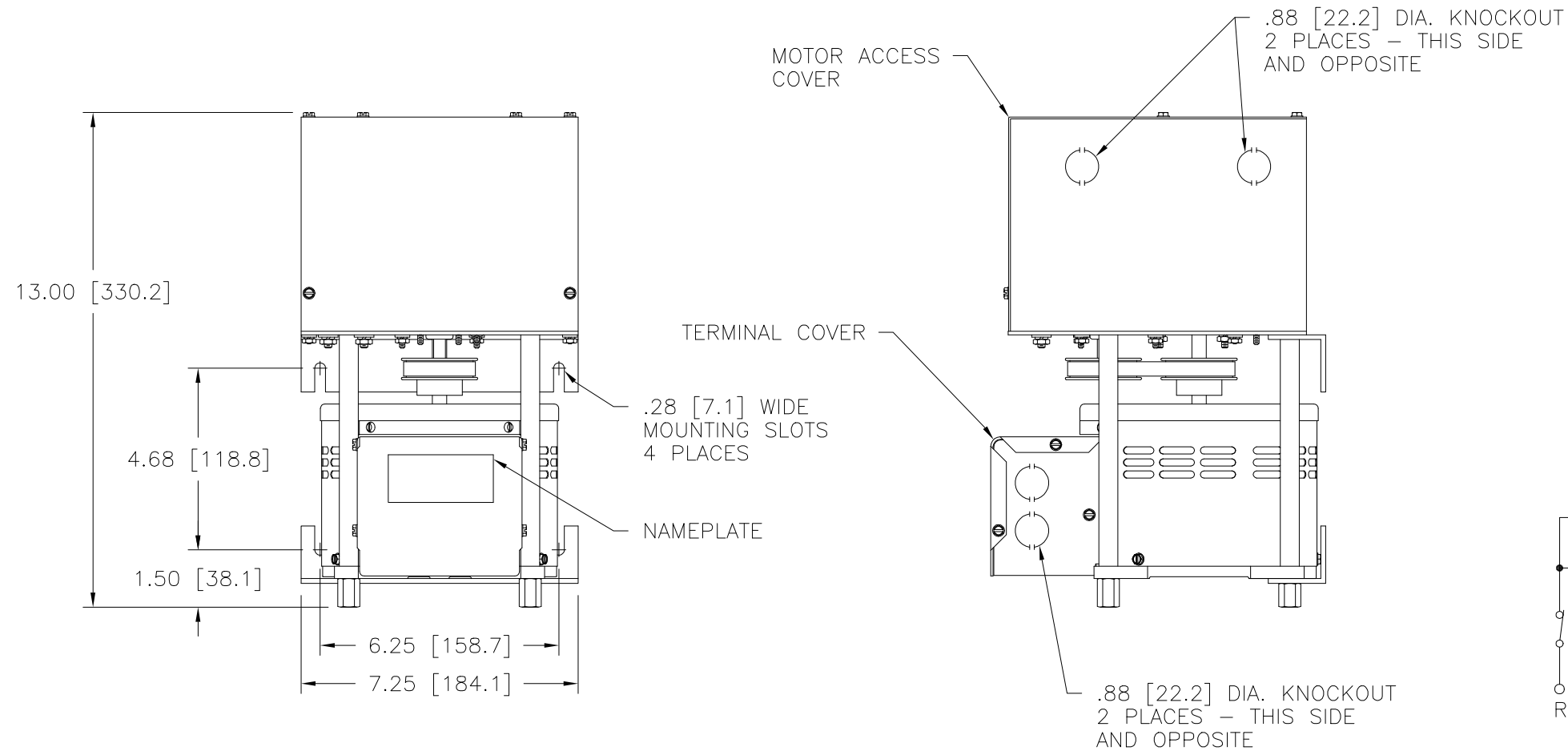
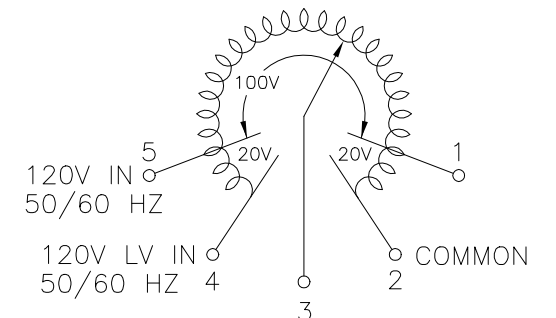


Go to [VARIAC.com](http://VARIAC.com)  
 to purchase and for  
 technical support.  
 Made in the USA



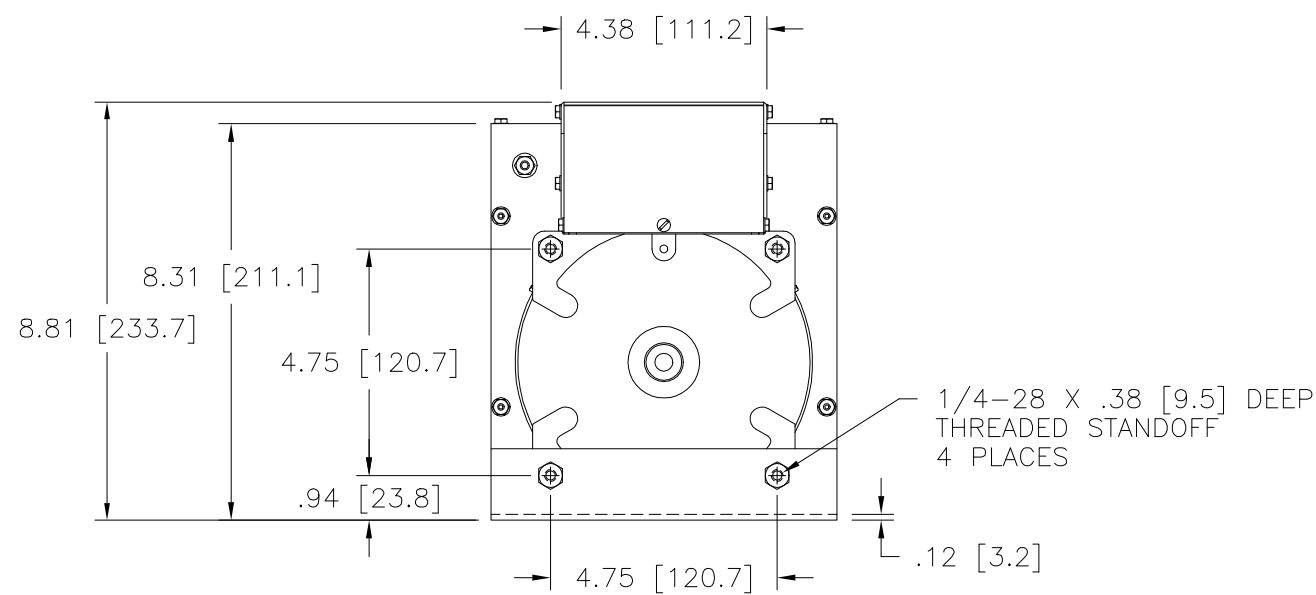
MOTOR CIRCUIT  
 120V, 50/60 HZ  
 \* ROTATION AS VIEWED  
 FROM MOTOR END  
 MOTOR SPEED: SEE CHART



OUTPUT  
 COIL SCHEMATIC  
 AS VIEWED FROM BASE END  
 FUSE RECOMMENDED BUT  
 NOT SUPPLIED

+ MOTOR DRIVEN UNITS USE TERMINAL CONNECTIONS FOR CCW INCREASING VOLTAGE, AS VIEWED FROM THE BASE END.

SPEED (SECONDS)	MODEL NUMBER
5	5M1510CT
15	15M1510CT
30	30M1510CT
60	60M1510CT



WIRING	INPUT		OUTPUT				SHAFT ROTATION TO INCREASE VOLTAGE	TERMINAL CONNECTIONS			
	VOLTS	HERTZ	VOLTS	CONSTANT CURRENT LOAD		CONSTANT IMPEDANCE LOAD		FOR INCREASING VOLTAGE AS VIEWED FROM BASE END +			
				MAX. AMPS	MAX. KVA	MAX. AMPS		MAX. KVA	INPUT	JUMPER	OUTPUT
SINGLE PHASE	120	50/60	0-120	15	1.80	20	2.40	CW	2-4	---	4-3
			0-140	15	2.10	---	---	CCW	2-4	---	2-3
								CW	1-4	---	4-3
								CCW	5-2	---	2-3

UNLESS OTHERWISE SPECIFIED, TOLERANCE IS # DECIMALS .XX .XXX .005  
 HOLES .01  
 ANGLES 1°  
 DRAFT 1-1/2°  
 UNITS IN [mm]

MATERIAL: ALL DIMENSIONS APPLY AFTER PLATING

TITLE: SPEC. CONTROL DRAWING  
 VARIABLE TRANSFORMER  
 MODEL: M1510CT

STACO ENERGY PRODUCTS CO.  
 A COMPONENTS CORPORATION OF AMERICA COMPANY  
 DAYTON, OHIO U.S.A.

DRAWN BY: TIM RAU  
 CHECKER: DATE: 9/28/98  
 ENGINEER: DATE:

FIRST USED ON: M1510CT  
 WEIGHT APPROX.: 26 LBS  
 SCALE: .50=1

DO NOT SCALE DWG.  
 CODE IDENT. NO. 83008  
 SHEET 1 OF 1

CUSTOMER APPROVAL: DATE:

DWG. NO. 031-3801