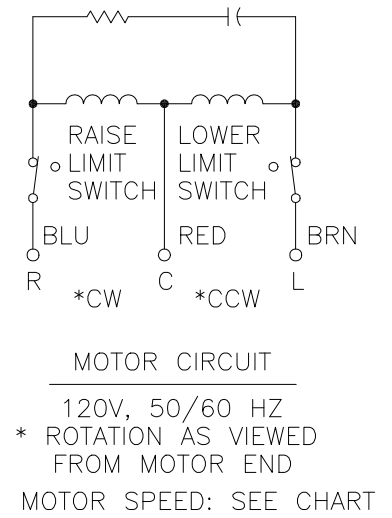
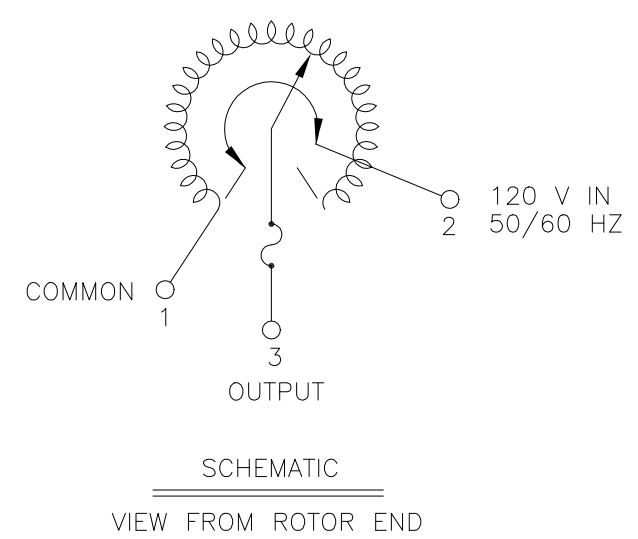


Go to [VARIAC.com](http://VARIAC.com)  
 to purchase and for  
 technical support.  
 Made in the USA



SPEED (SECONDS)	MODEL NUMBER
5	5M5011CT
15	15M5011CT
30	30M5011CT
60	60M5011CT

SPECIFICATIONS									
WIRING	INPUT		OUTPUT		SHAFT ROTATION TO INCREASE VOLTAGE	TERMINAL CONNECTIONS			
	VOLTS	HERTZ	VOLTS	CONSTANT CURRENT LOAD		FOR INCREASING VOLTAGE AS VIEWED FROM ROTOR END			
SINGLE PHASE	120	50/60	0-140	MAX. AMPS	MAX. KVA	CW	INPUT	OUTPUT	
				50	7.0		1-2	1-3	

UNLESS OTHERWISE SPECIFIED, TOLERANCE IS #		UNITS		TITLE: SPEC. CONTROL DWG. VARIABLE TRANSFORMER M5011CT	
DECIMALS	Holes	ANGLES	DRAFT	IN	MM
.XX	.06	1°	1-1/2°		
.XXX	.005				
MATERIAL:			ALL DIMENSIONS APPLY AFTER PLATING		
DRAWN BY: TIM RAU		DATE: 8/20/97	FIRST USED ON:	DO NOT SCALE DWG.	CUSTOMER APPROVAL: DATE:
CHECKER:	DATE:	WEIGHT APPROX. 78 LBS.	CODE IDENT. NO. 83008	DWG. NO. 031-6197	
ENGINEER:	DATE:	SCALE .5=1	SHEET 1 OF 1		

