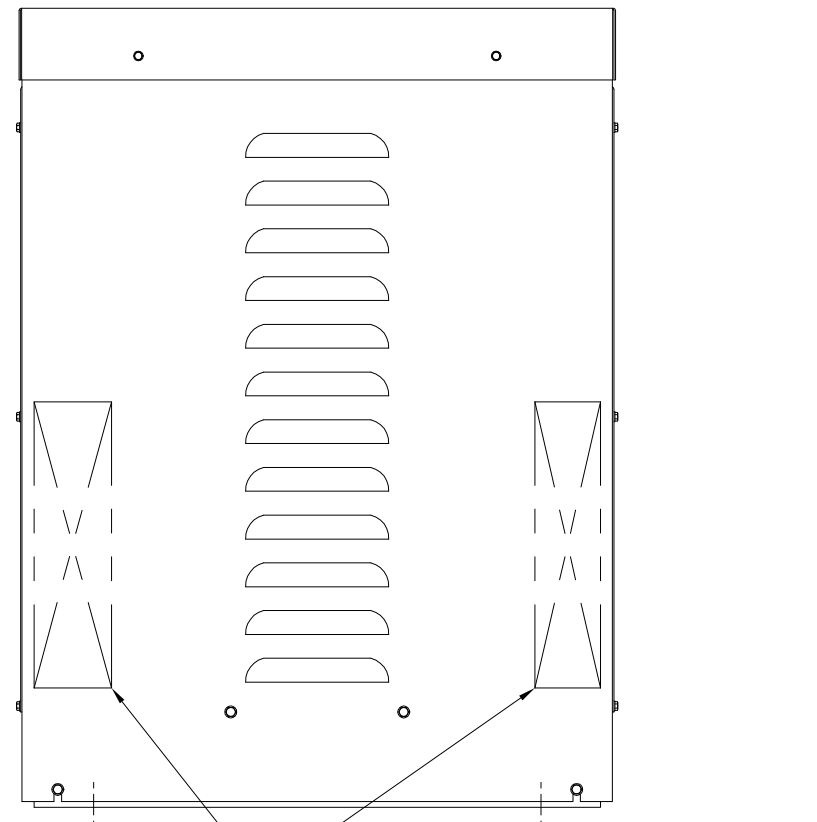
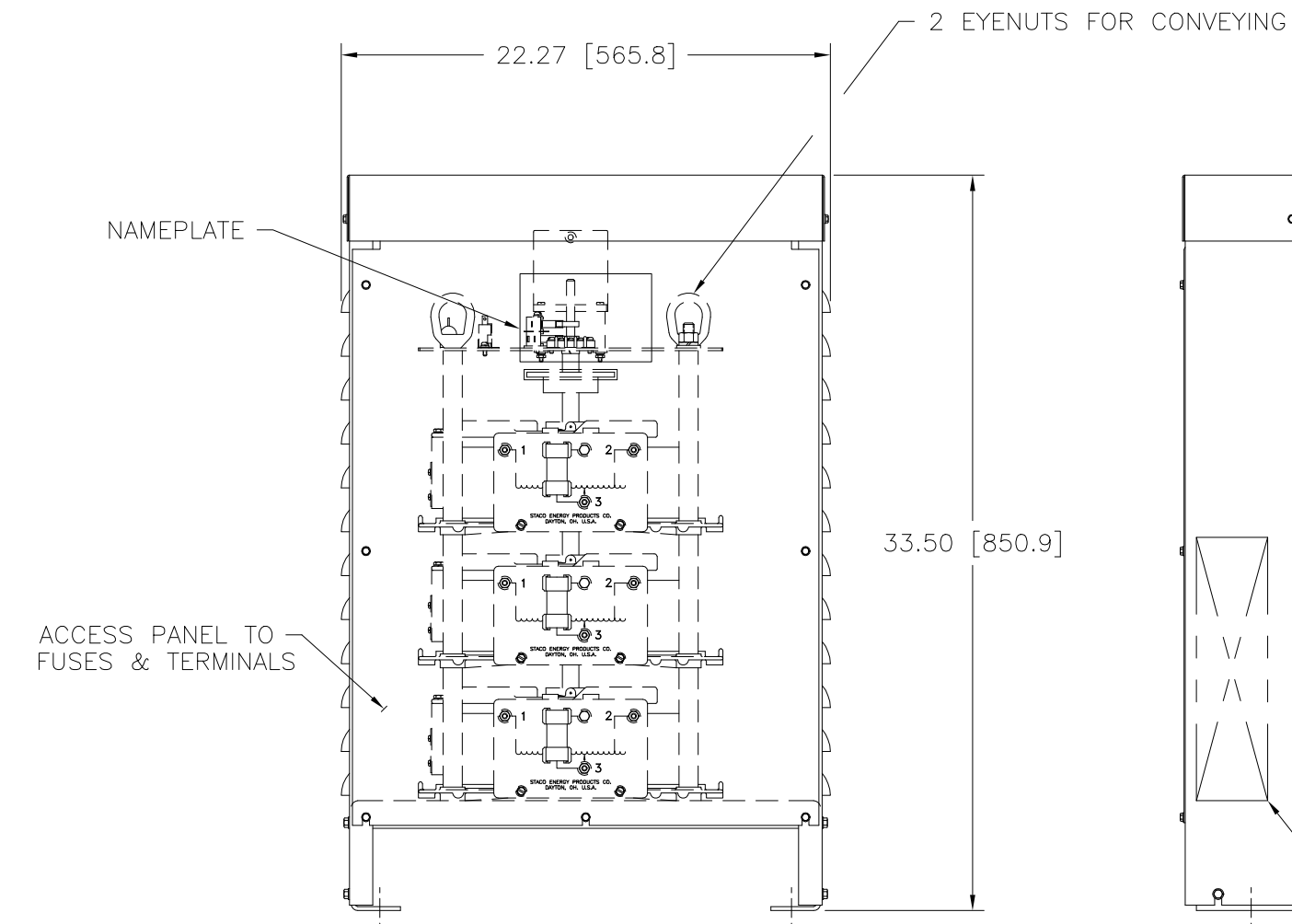
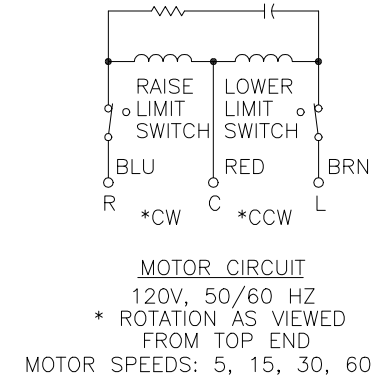
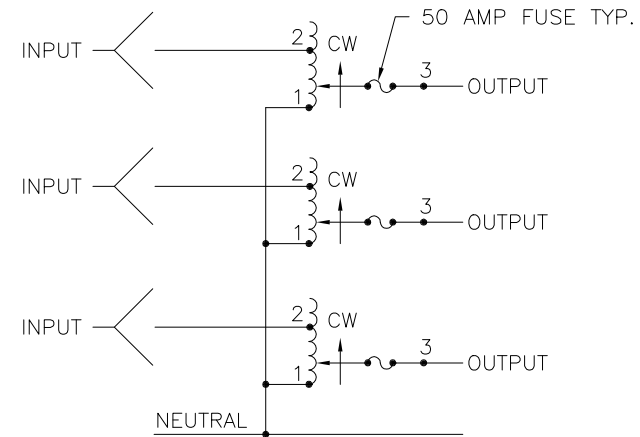
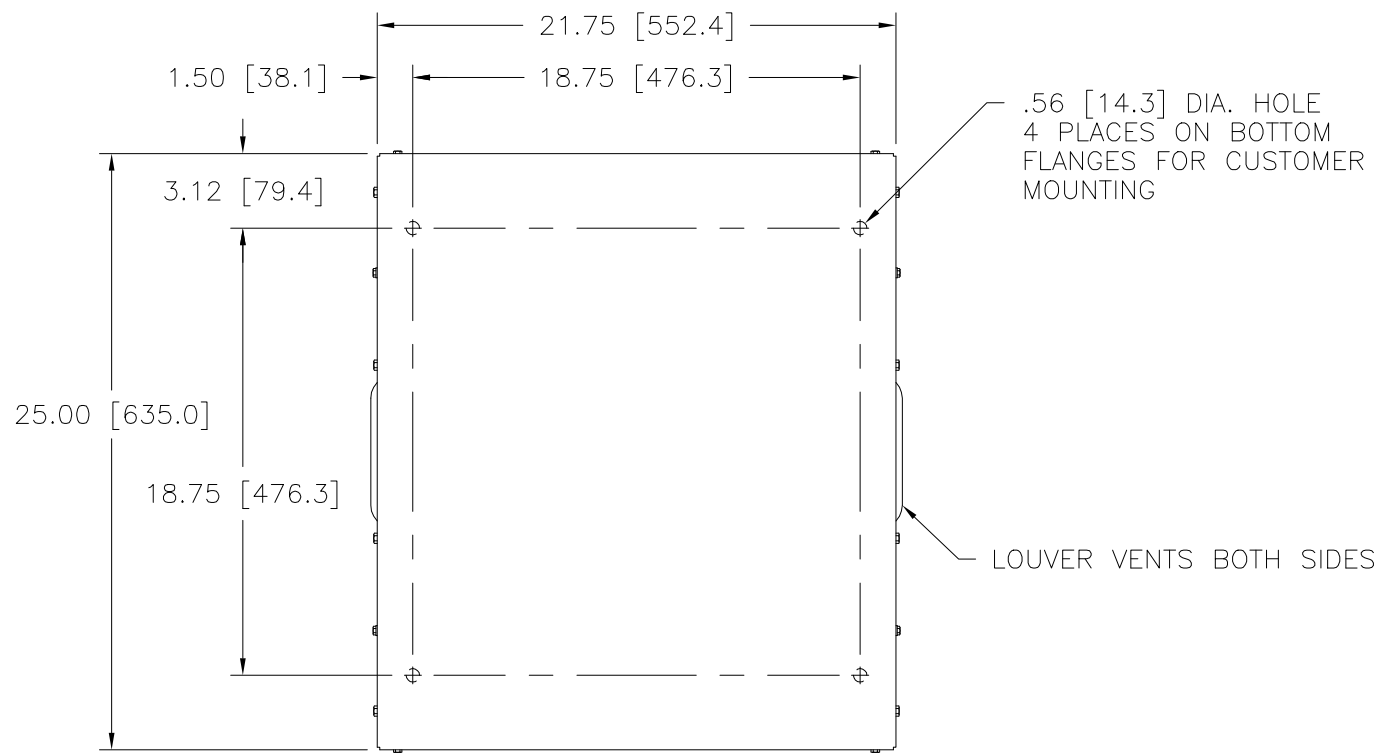


Go to VARIAC.com
 to purchase and for
 technical support.
 Made in the USA



SPEED (SECONDS)	MODEL NUMBER
5	5M5011E-3Y
15	15M5011E-3Y
30	30M5011E-3Y
60	60M5011E-3Y

SPECIFICATIONS								
WIRING	INPUT		OUTPUT			SHAFT ROTATION FOR VOLTAGE INCREASE	TERMINAL CONNECTIONS FOR INCREASING VOLTAGE AS VIEWED FROM TOP	
	VOLTS	HERTZ	VOLTS	CONSTANT CURRENT LOAD			INPUT	OUTPUT
THREE PHASE WYE	240	60	0-280	MAX. AMPS	MAX. KVA	CW	2-2-2	3-3-3
UNLESS OTHERWISE SPECIFIED, TOLERANCE IS #			TITLES			CUSTOMER APPROVAL		
DECIMALS .12			SPECIFICATION CONTROL DRAWING			DATE		
Holes .03			MOTORIZED VARIABLE TRANSFORMER			FIRST USED ON		
ANGLES 1°			5, 15, 30, & 60M5011E-3Y			DO NOT SCALE DWG.		
DRAFT 1-1/2"			MATERIAL			DATE		
			ALL DIMENSIONS APPLY AFTER PLATING			WEIGHT APPROX.		
			DRAWN BY			CODE IDENT. NO.		
			TIM RAU			83008		
			CHECKER			DWG. NO.		
			ENGINEER			D 031-6872		
			SCALE			SHEET 1 OF 1		
			.25=1					

