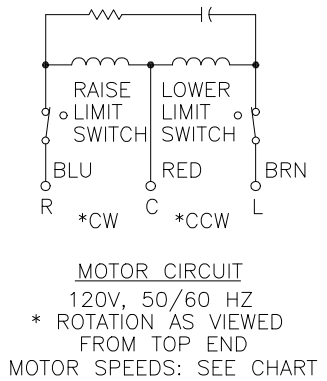
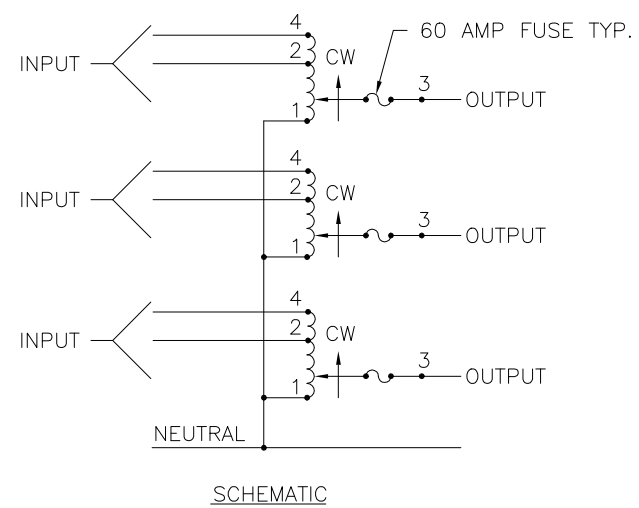
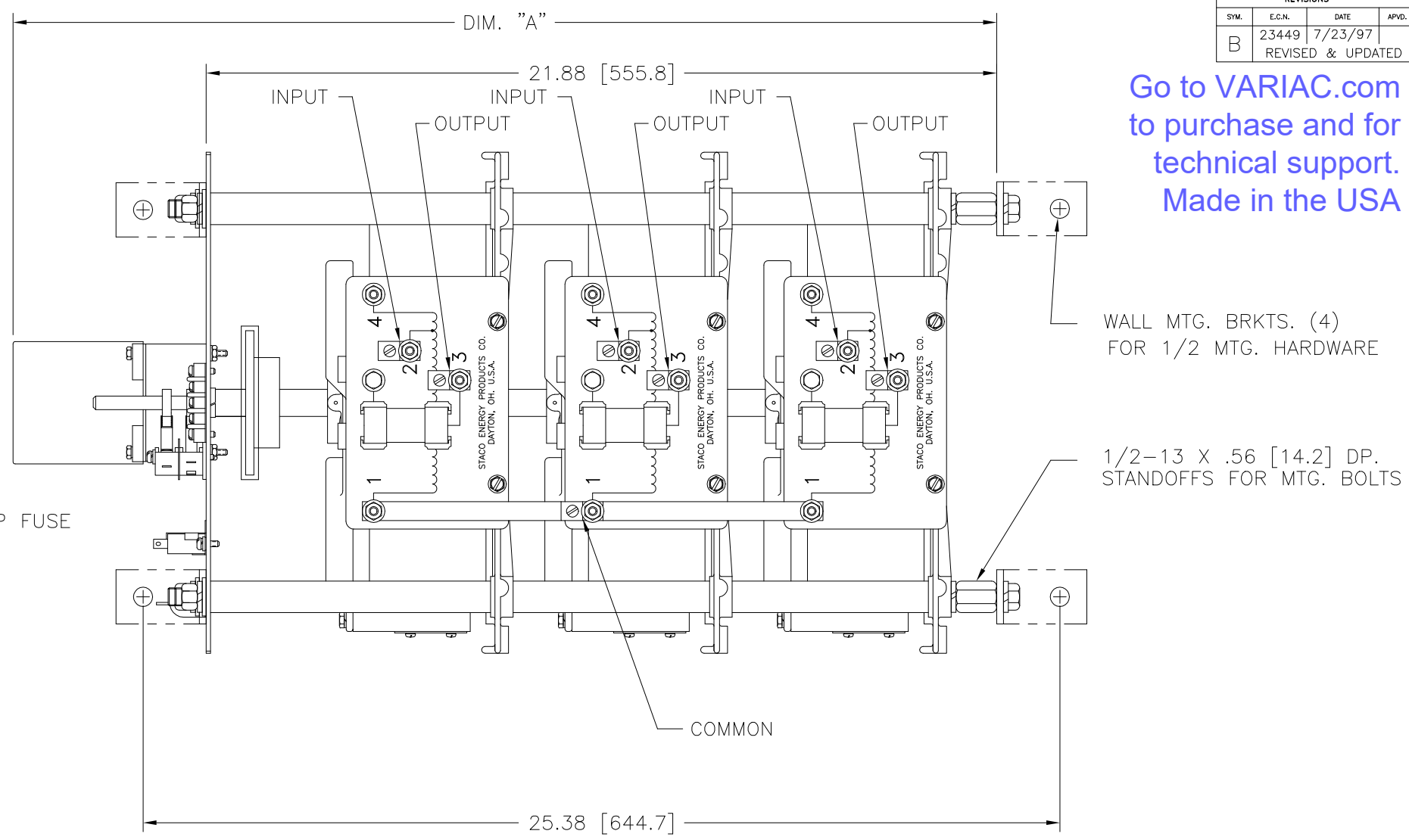
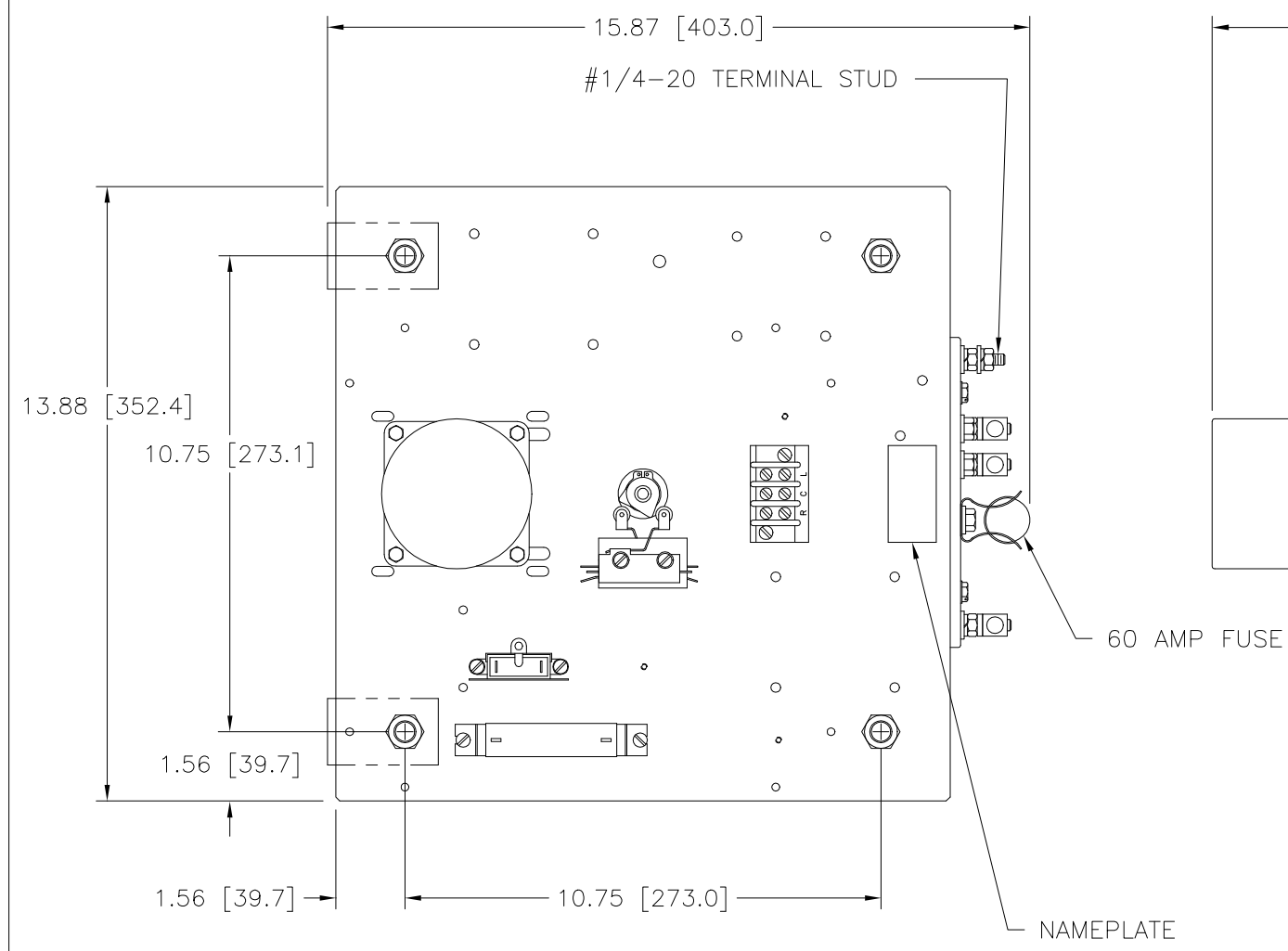


Go to VARIAC.com
 to purchase and for
 technical support.
 Made in the USA



MODEL NUMBER	SPEED (SECONDS)	DIM "A"
5M6011-3Y	5	25.56
15M6011-3Y	15	27.38
30M6011-3Y	30	27.38
60M6011-3Y	60	27.38

WIRING	INPUT		OUTPUT		SHAFT ROTATION FOR VOLTAGE INCREASE	TERMINAL CONNECTIONS FOR INCREASING VOLTAGE AS VIEWED FROM TOP		
	VOLTS	HERTZ	VOLTS	CONSTANT CURRENT LOAD		INPUT	OUTPUT	
				MAX. AMPS				MAX. KVA
THREE PHASE WYE	240	60	0-240	60	24.9	CW	4-4-4	3-3-3
			0-280	60	29.1		2-2-2	3-3-3

UNLESS OTHERWISE SPECIFIED, TOLERANCE IS # DECIMALS .XX .XXX .12 .000 .03 .1° 1-1/2° UNITS IN [mm]

TITLE: SPEC. CONTROL DRAWING MOTORIZED VARIABLE XFMR. TYPE: M6011-3Y

MATERIAL: ALL DIMENSIONS APPLY AFTER PLATING

STACO ENERGY PRODUCTS CO. A COMPONENTS CORPORATION OF AMERICA COMPANY DAYTON, OHIO U.S.A.

DRAWN BY: TIM RAU DATE: 7/23/97 FIRST USED ON: DO NOT SCALE DWG. CUSTOMER APPROVAL: DATE:

CHECKER: DATE: WEIGHT APPROX. 263 LBS. CODE IDENT. NO. 83008 DWG. NO. 032-6864

ENGINEER: DATE: SCALE .5=1 SHEET 1 OF 1