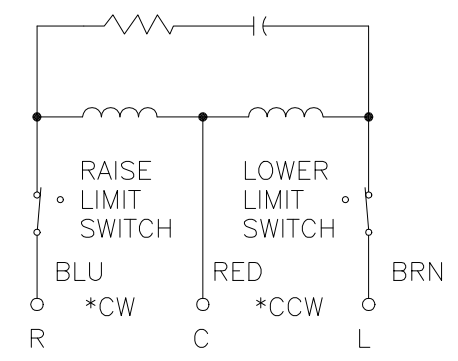
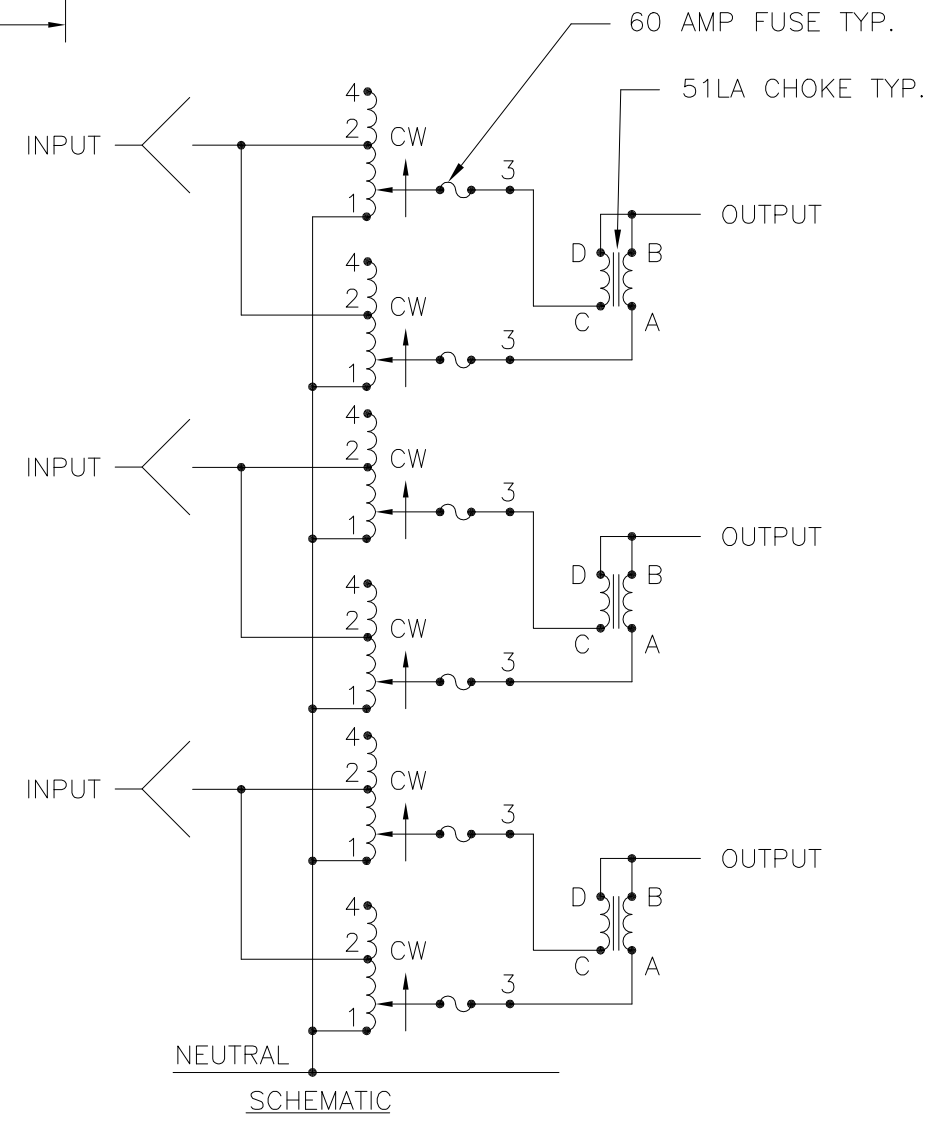


Go to VARIAC.com to purchase and for technical support. Made in the USA



MOTOR CIRCUIT
 120V 50/60 HZ
 * ROTATION AS VIEWED FROM MOTOR END
 MOTOR SPEED : SEE CHART

SPEED (SECONDS)	MODEL NUMBER
15	15M6011-6Y
30	30M6011-6Y
60	60M6011-6Y

WIRING	INPUT		OUTPUT			SHAFT ROTATION FOR VOLTAGE INCREASE	TERMINAL CONNECTIONS FOR INCREASING VOLTAGE AS VIEWED FROM TOP	
	VOLTS	HERTZ	VOLTS	CONSTANT CURRENT LOAD			INPUT	OUTPUT
				MAX. AMPS	MAX. KVA			
THREE PHASE WYE	240	60	0-240	120	49.8	CW	4-4-4	B-B-B
			0-280	120	58.1		2-2-2	B-B-B

UNLESS OTHERWISE SPECIFIED, TOLERANCE IS # DECIMALS Holes .12 .002 ANGLES DRAFT 1° 1-1/2° UNITS IN [mm]

MATERIAL: ALL DIMENSIONS APPLY AFTER PLATING

TITLE: SPEC. CONTROL DRAWING MOTORIZED VARIABLE XFMR. TYPE: M6011-6Y

STACO ENERGY PRODUCTS CO. A COMPONENTS CORPORATION OF AMERICA COMPANY DAYTON, OHIO U.S.A.

DRAWN BY: TIM RAU DATE: 10/7/98 FIRST USED ON: DO NOT SCALE DWG. CUSTOMER APPROVAL: DATE:

CHECKER: DATE: WEIGHT APPROX. CODE IDENT. NO. 83008 DWG. NO. 032-6954

ENGINEER: DATE: SCALE: .25=1 SHEET 1 OF 1