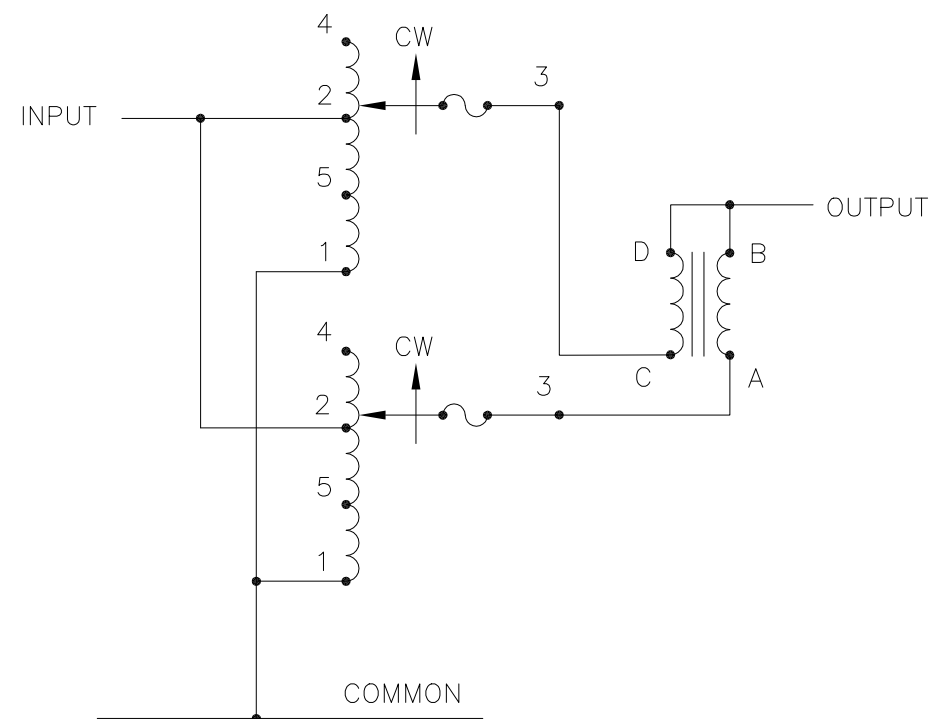
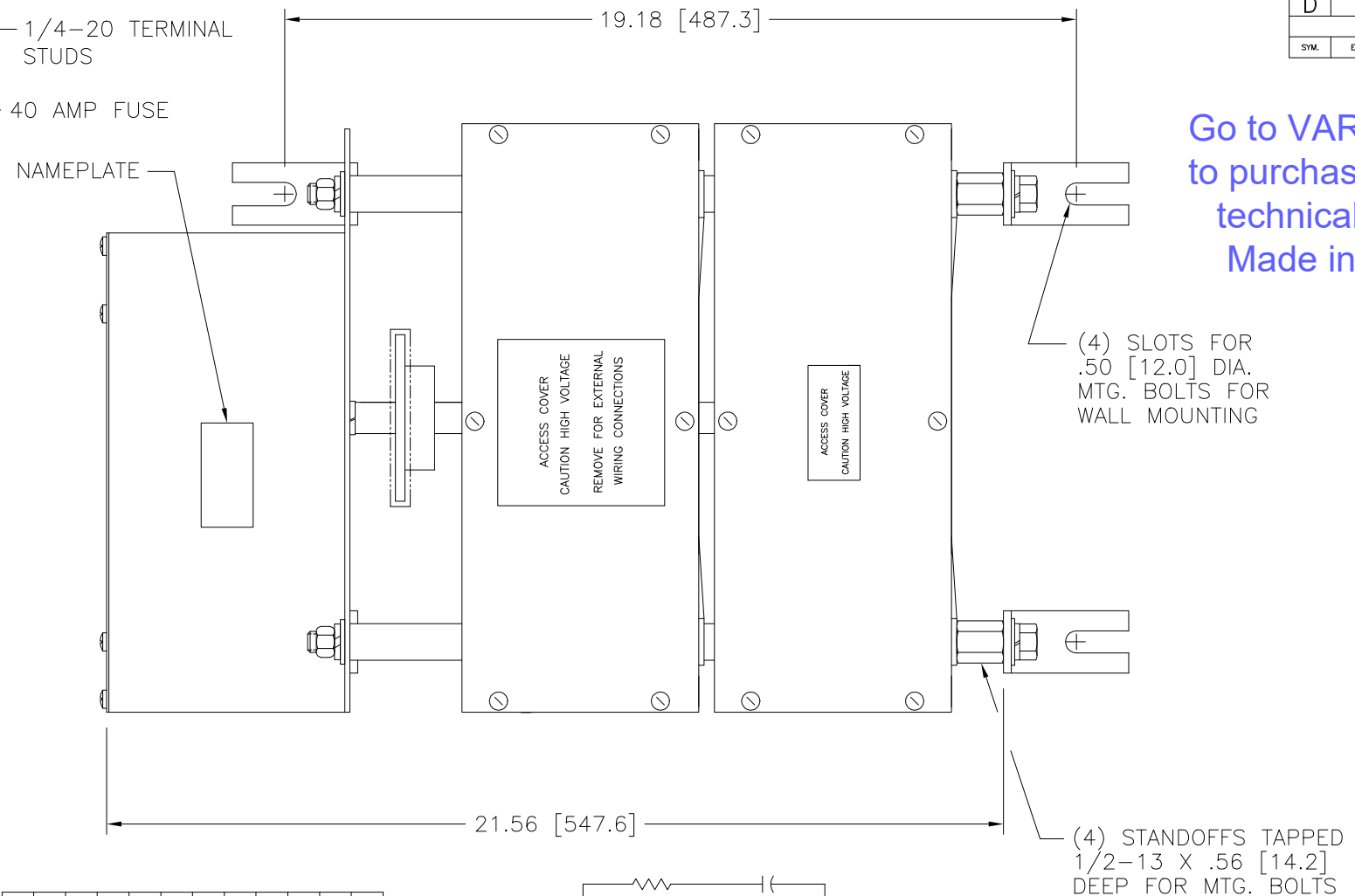
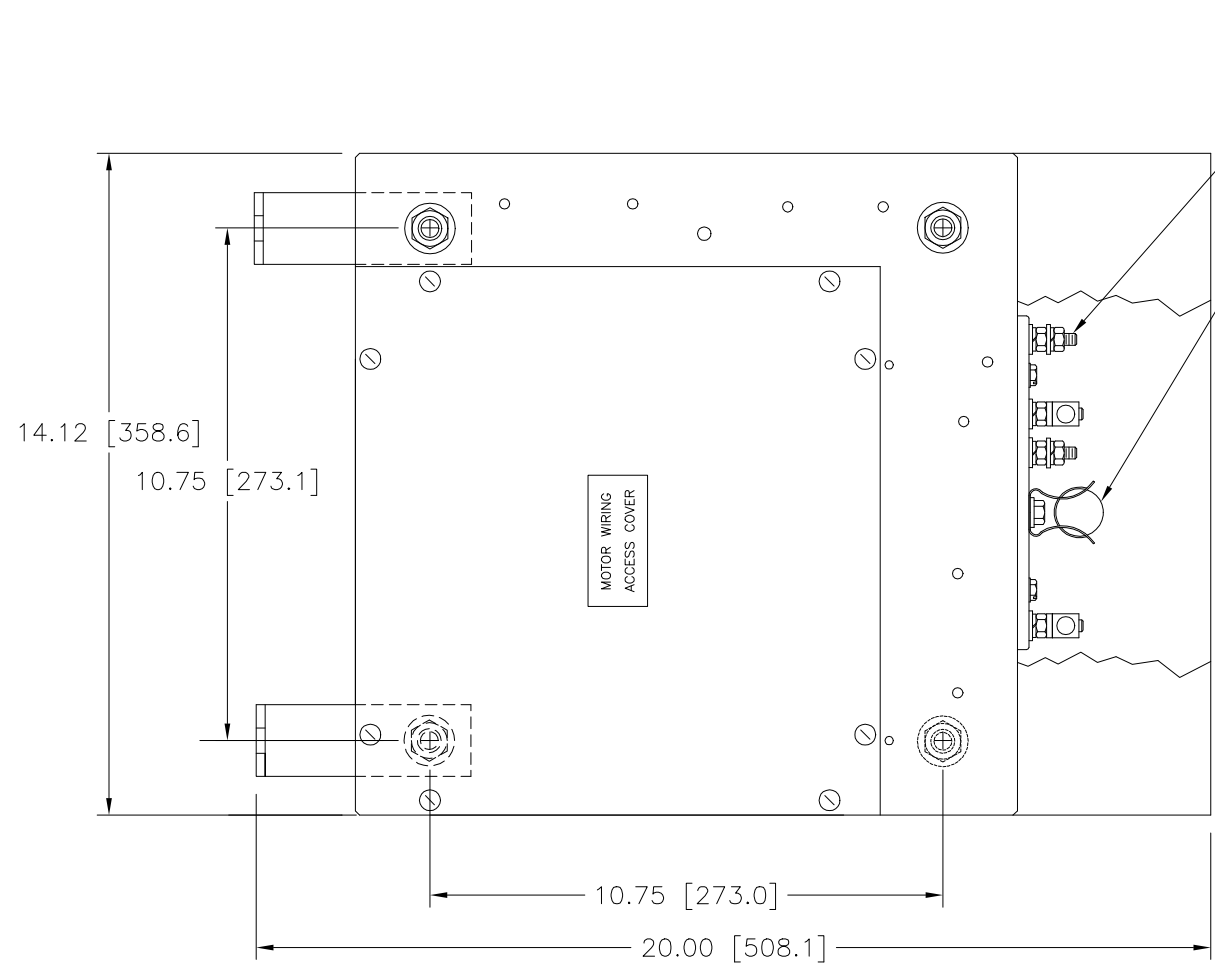


Go to VARIAC.com
 to purchase and for
 technical support.
 Made in the USA



SCHEMATIC

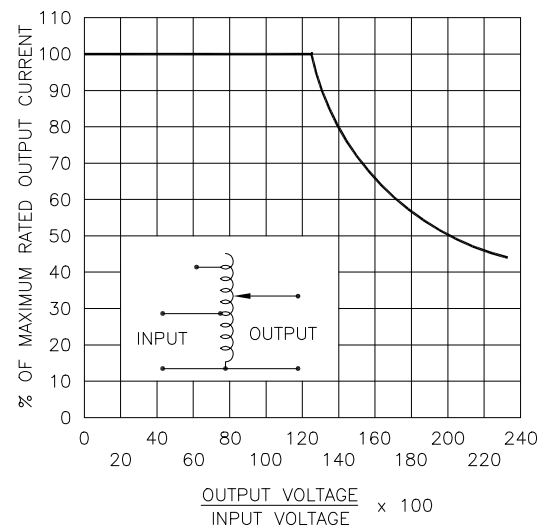
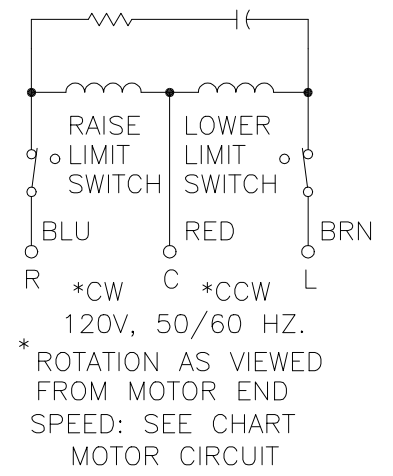


FIGURE A
 MAXIMUM OUTPUT CURRENT OF ANY DUAL INPUT VOLTAGE OR VOLTAGE DOUBLER UNIT OPERATED AT LOWER INPUT VOLTAGE.

MAXIMUM OUTPUT CURRENT IN OUTPUT VOLTAGE RANGE FROM 0 TO 25 PERCENT ABOVE LINE VOLTAGE. AT HIGHER OUTPUT VOLTAGES, OUTPUT CURRENT MUST BE REDUCED ACCORDING TO RATING CURVE (SEE FIGURE A).

++ MAXIMUM KVA AT MAXIMUM OUTPUT AND CORRESPONDING DE-RATED CURRENT. MAXIMUM KVA AT LOWER OUTPUT VOLTAGES MAY BE CALCULATED FROM RATING CURVE, (SEE FIGURE A).

V.D. = VOLTAGE DOUBLER.



SPEED (SECONDS)	TYPE NO.
5	5M6020CT-2P
15	15M6020CT-2P
30	30M6020CT-2P
60	60M6020CT-2P

SPECIFICATIONS									
WIRING	INPUT		OUTPUT			SHAFT ROTATION FOR INCREASE VOLTAGE	TERMINAL CONNECTIONS		
	VOLTS	HERTZ	VOLTS	MAX. AMPS	MAX. KVA		FOR INCREASING VOLTAGE AS VIEWED FROM ROTOR END		
SINGLE PHASE PARALLEL	240	50/60	0-240	70	16.8	CW	INPUT	JUMPER	OUTPUT
			0-280	70	19.6		1-4	1-B	
SINGLE PHASE PARALLEL	120	50/60	0-280	70* - 30 V.D.	8.4 †	CW	1-5	---	1-B

UNLESS OTHERWISE SPECIFIED, TOLERANCE IS # DECIMALS .XX .XXX .12 .002 .005
 HOLES ANGLES DRAFT UNITS IN [mm]
 1° 1-1/2° IN [mm]

MATERIAL: ALL DIMENSIONS APPLY AFTER PLATING

TITLE: SPEC. CONTROL DWG. VARIABLE TRANSFORMER 5, 15, 30 & 60M6020CT-2P

STACO ENERGY PRODUCTS CO. A COMPONENTS CORPORATION OF AMERICA COMPANY DAYTON, OHIO U.S.A.

DRAWN BY: F. SEALE DATE: 9/19/96 FIRST USED ON: DO NOT SCALE DWG. CUSTOMER APPROVAL: DATE:

CHECKER: DATE: WEIGHT APPROX. CODE IDENT. NO. 83008 DWG. NO. 032-7629

ENGINEER: DATE: SCALE: .5=1 SHEET 1 OF 1