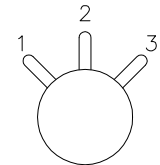
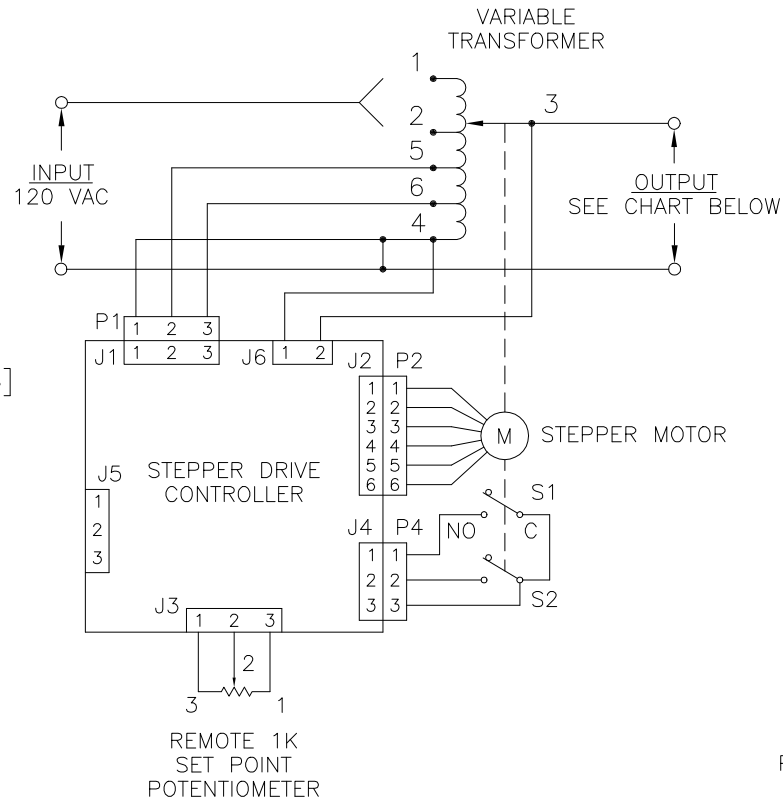
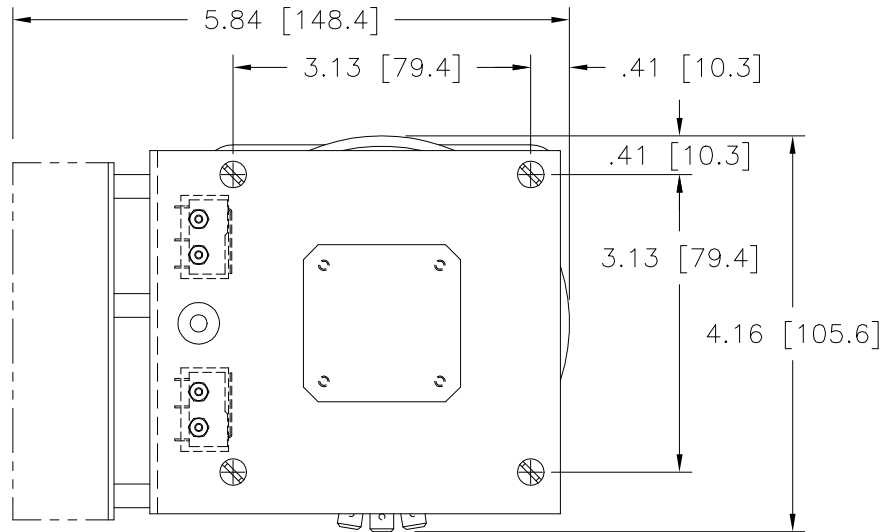
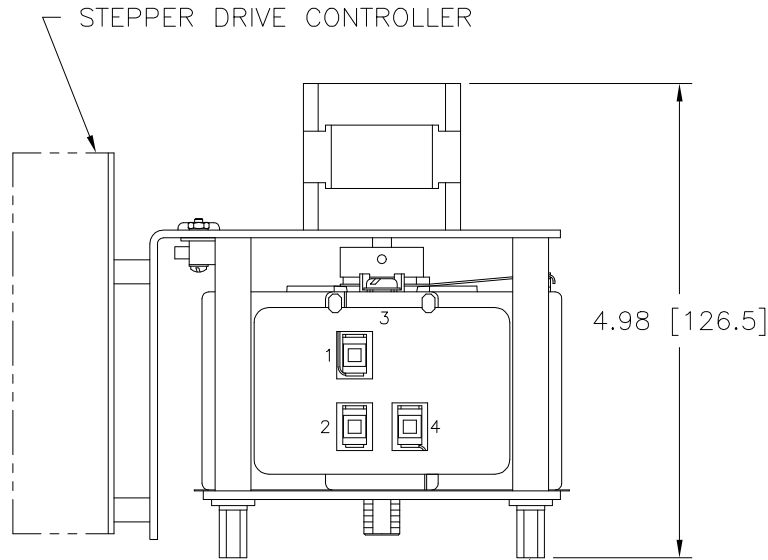


DWG. NO. C	095-1802		
REVISIONS			
SYM.	E.C.N.	DATE	APVD.
A	24028	8/10/99	
CLARIFIED 5VDC NOTE			

Go to VARIAC.com to purchase and for technical support.
Made in the USA



REMOTE POTENTIOMETER REAR VIEW WIRE PER DIAGRAM



#8-32 X .34 [8.7] DEEP THREADS (4) PLACES FOR CUSTOMER MOUNTING

SET POINT ADJUSTMENT:

THE OUTPUT SET POINT MAY BE ADJUSTED WITH THE REMOTE 1K POTENTIOMETER PROVIDED OR WITH A 0-5 VDC SIGNAL TO THE J3 CONNECTOR ON THE STEPPER DRIVE CONTROL. MAKE CONNECTIONS TO J3-2(+) & J3-3(-). A NOMINAL +5 VDC SETPOINT SUPPLY IS AVAILABLE AT J3-1 (ADJUSTABLE AT TRIMPOT R22).

SPECIFICATIONS									
WIRING	INPUT		OUTPUT				TERMINAL CONNECTIONS		
	VOLTS	HERTZ	VOLTS	CONSTANT CURRENT LOAD		CONSTANT IMPEDANCE LOAD		INPUT	OUTPUT
				MAX. AMPS	MAX. KVA	MAX. AMPS	MAX. KVA		
SINGLE PHASE	120	50/60	0-120	5.0	0.60	7.0	0.84	4-1	4-3
			0-140	5.0	0.70	-	-	4-2	4-3
UNLESS OTHERWISE SPECIFIED, TOLERANCE IS ±			UNITS		TITLE:		DRAWN BY		
DECIMALS: .03 .002			IN [mm]		SPEC. CONTROL DRAWING		S.A. SMITH		
ANGLES: 1°					STEPPER DRIVEN VARIABLE		DATE		
DRAFT: 1-1/2°					TRANSFORMER MODEL SD511		2/29/96		
MATERIAL:			ALL DIMENSIONS APPLY AFTER PLATING		FIRST USED ON		DO NOT SCALE DWG.		
					CUSTOMER APPROVAL		DATE		
The information and design disclosed herein was originated by and is the property of STACO ENERGY PRODUCTS CO., which reserves all patent, proprietary, design, manufacturing, reproduction, use and sale rights thereto, and to any article disclosed therein except to the extent rights are expressly granted to others. The foregoing does not apply to vendor proprietary parts.			CHECKER		WEIGHT APPROX.		CODE IDENT. NO.		DWG. NO.
			ENGINEER		SCALE 1=1		83008		C
					SHEET 1 OF 1				095-1802

