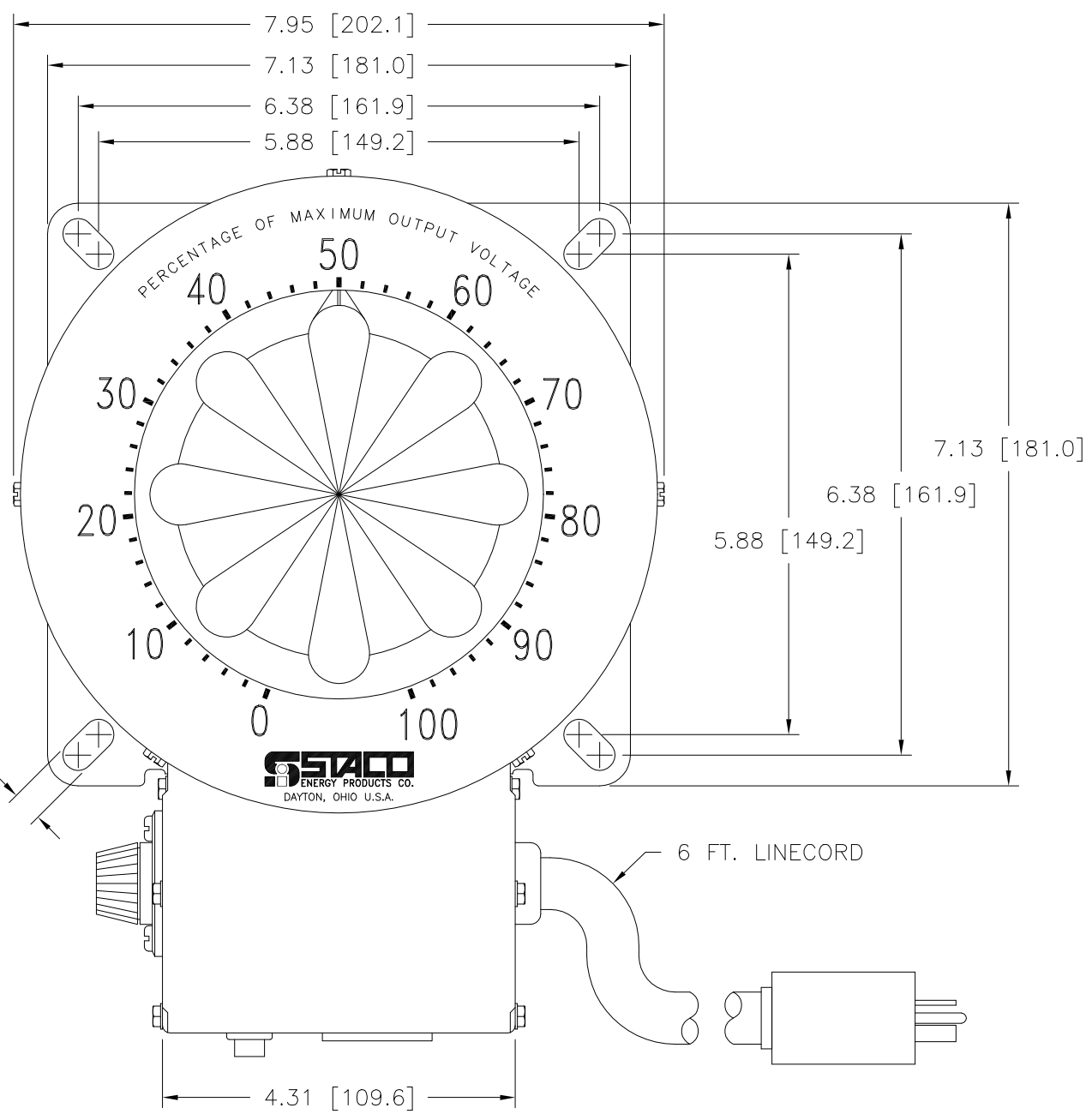


10.85 [275.6]

KNOB

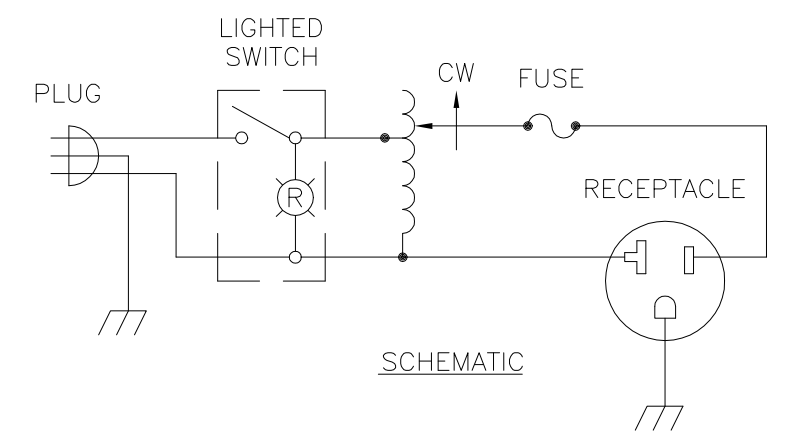
NAMEPLATE

.38 [9.5] SLOT  
 4 PLACES FOR  
 CUSTOMER MTG.

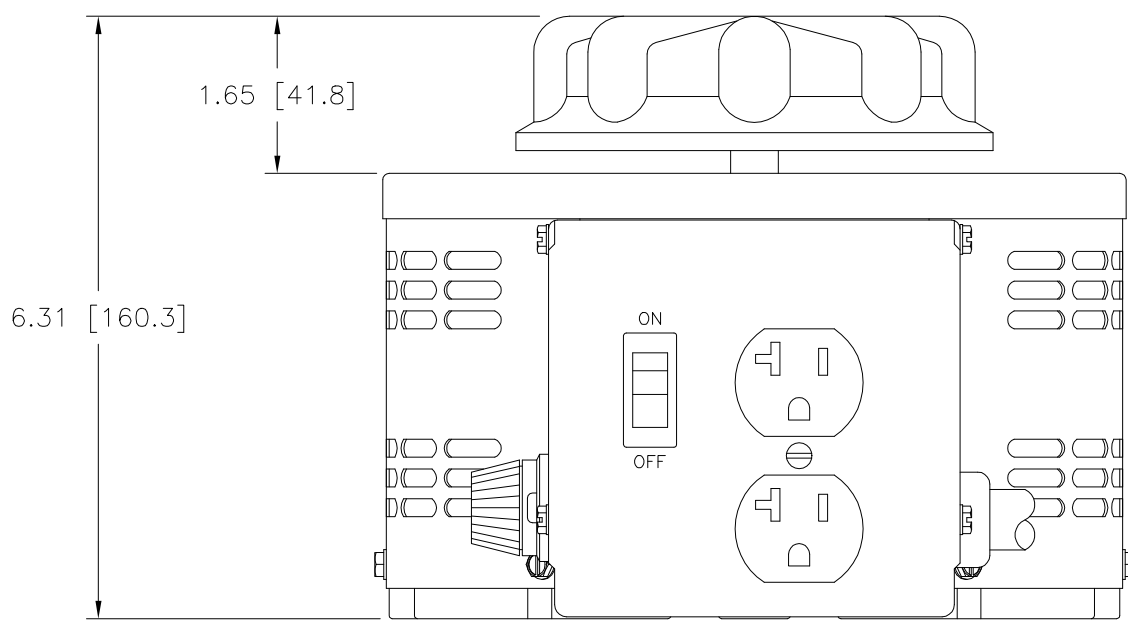


**STACO**  
 ENERGY PRODUCTS CO.  
 DAYTON, OHIO U.S.A.

6 FT. LINECORD



SCHEMATIC



1.65 [41.8]

6.31 [160.3]

SPECIFICATIONS					
WIRING	INPUT		OUTPUT		
	VOLTS	HERTZ	VOLTS	CONSTANT CURRENT LOAD	
SINGLE PHASE	120	50/60	0-140	MAX. AMPS	MAX. KVA
				22	3.08

UNLESS OTHERWISE SPECIFIED, TOLERANCE IS #		UNITS		TITLE: SPEC. CONTROL DRAWING		DRAWN BY		DATE		FIRST USED ON		DO NOT SCALE DWG.		CUSTOMER APPROVAL	
DECIMALS	Holes	ANGLES	DRAFT	IN	MM	S.A. SMITH		5/22/96		3PN2210B					
.XX	.0000	.01	1°			CHECKER				WEIGHT APPROX. 24 LBS		CODE IDENT. NO. 83008		DWG. NO. 031-5070	
MATERIAL:		ALL DIMENSIONS APPLY AFTER PLATING		SCALE		ENGINEER				SCALE 1=1		SHEET 1 OF 1		DATE	

**STACO**  
 ENERGY PRODUCTS CO.  
 A COMPONENTS CORPORATION OF AMERICA COMPANY  
 DAYTON, OHIO U.S.A.