

.56 [14.3] DIA. HOLE  
4 PLACES ON BOTTOM  
FLANGES FOR CUSTOMER  
MOUNTING

THE REGULATOR COMPRISES A MOTOR-DRIVEN VARIABLE AUTOTRANSFORMER, A BUCK-BOOST FIXED RATIO TRANSFORMER, AND A SOLID STATE CONTROL UNIT THAT AUTOMATICALLY POSITIONS THE AUTOTRANSFORMER TO HOLD THE OUTPUT VOLTAGE CONSTANT. A 0-300 VOLT ANALOG VOLTMETER IS PROVIDED.

**SPECIFICATIONS:**

WAVEFORM DISTORTION	- - - - -	ZERO
FREQUENCY RANGE	- - - - -	47 HZ TO 63 HZ
ACCURACY	- - - - -	±1%
INTERNAL IMPEDANCE	- - - - -	LESS THAN 1%
CORRECTION RATE	- - - - -	14.4 VOLTS/SECONDS
PHASE SHIFT	- - - - -	NEGLIGIBLE
EFFICIENCY	- - - - -	99% TYPICAL
TEMPERATURE RANGE	- - - - -	0°C (32°F) TO +40°C (104°F)

**WIRE RANGES FOR CUSTOMER WIRING:**

INPUT/OUTPUT/NEUTRAL TERMINALS: (1) (X-X) COMPRESSION PER PHASE  
GROUND TERMINALS: (1) (X-X) COMPRESSION

**NOTE:**

SEE THE FRC-20 USER'S HANDBOOK, FORM #003-1922 FOR DETAILED INFORMATION.

**CONTROLS:**

CONTROLLER ON/OFF SWITCH: THIS SWITCH TURNS OFF POWER TO THE CONTROLLER ONLY.

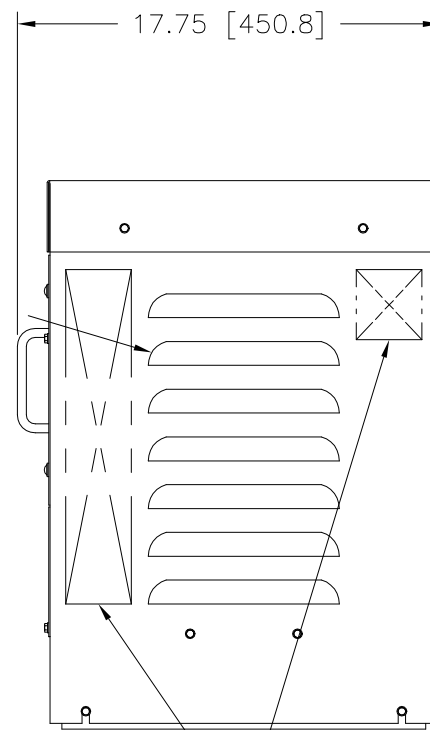
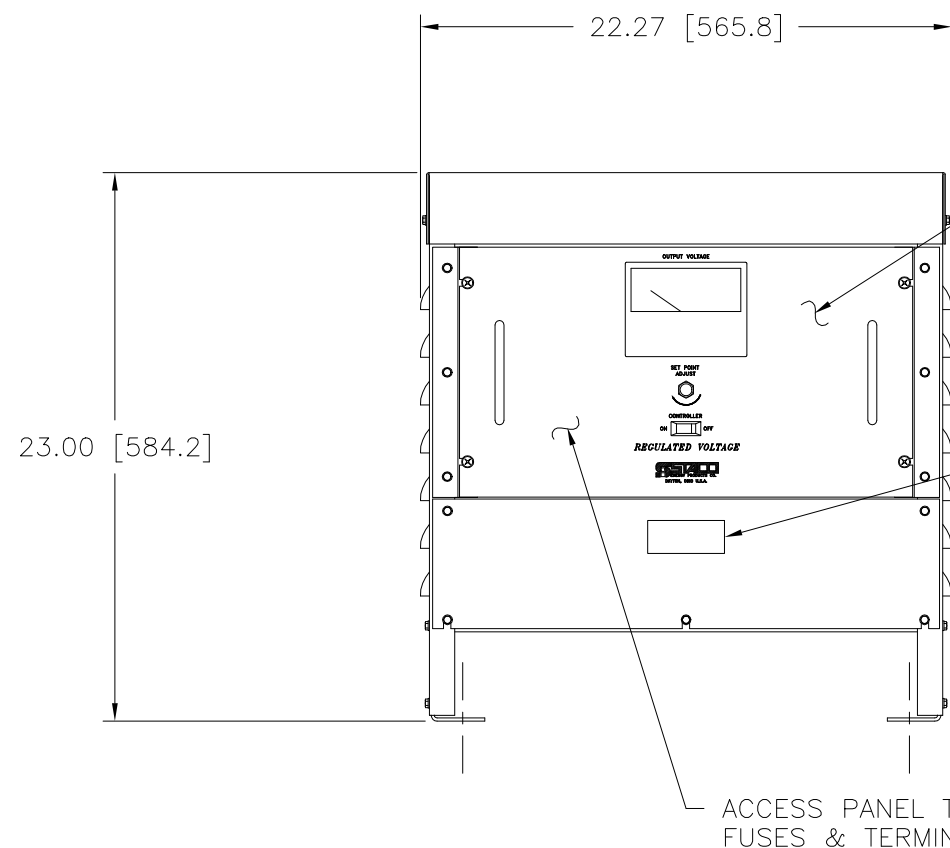
OUTPUT ADJUSTMENT: THIS POTENTIOMETER CONTROL IS ROTATED CLOCKWISE TO INCREASE OUTPUT VOLTAGE SET POINT AND COUNTERCLOCKWISE TO DECREASE THE OUTPUT VOLTAGE SET POINT.

VOLTMETER: THE ANALOG VOLTMETER INDICATES THE REGULATED OUTPUT VOLTAGE SETTING.

RAISE/LOWER SWITCH: THIS SWITCH IS LOCATED INTERNALLY AND IS ACCESSIBLE FROM THE FRONT VIA THE REMOVABLE ACCESS PANEL. THE SWITCH ALLOWS THE REGULATOR TO BE MANUALLY CONTROLLED.

* OUTPUT VOLTAGE SETPOINT	INPUT VOLTAGE RANGE
200	160 - 220
208	166 - 229
220	176 - 242
230	184 - 253
240	192 - 264

NOTE: 50 HZ APPLICATIONS REQUIRE INPUT VOLTAGES TO NOT EXCEED A MAXIMUM 242 VOLTS.



RECOMMENDED AREAS  
FOR CONDUIT ENTRY

SINGLE PHASE		50/60 Hz	
NOMINAL OUTPUT VOLTAGE	INPUT VOLTAGE RANGE*	MAXIMUM OUTPUT AMPERES	RATED OUTPUT (KVA)
240	192-264	110	26

UNLESS OTHERWISE SPECIFIED, TOLERANCE IS # DECIMALS .XX .XXX .XXX		Holes .12 .002		Angles 1°		Draft 1-1/2°		UNITS IN [mm]		TITLE: SPEC. CONTROL DRAWING AUTO. VOLTAGE REGULATOR TYPE: AVR-24WBSN026			
MATERIAL:		ALL DIMENSIONS APPLY AFTER PLATING		DRAWN BY: TIM RAU		DATE: 6/16/97		FIRST USED ON:		DO NOT SCALE DWG.		CUSTOMER APPROVAL: _____ DATE: _____	
The information and design disclosed herein was originated by and is the property of STACO ENERGY PRODUCTS CO., which reserves all patent, proprietary, design, manufacturing, reproduction, use and sale rights thereto, and to any article disclosed therein except to the extent rights are expressly granted to others. The foregoing does not apply to vendor proprietary parts.				CHECKER: _____		DATE: _____		WEIGHT APPROX.:		CODE IDENT. NO. 83008		DWG. NO. 095-1936	
				ENGINEER: _____		DATE: _____		SCALE: .25=1		SHEET 1 OF 2		D	