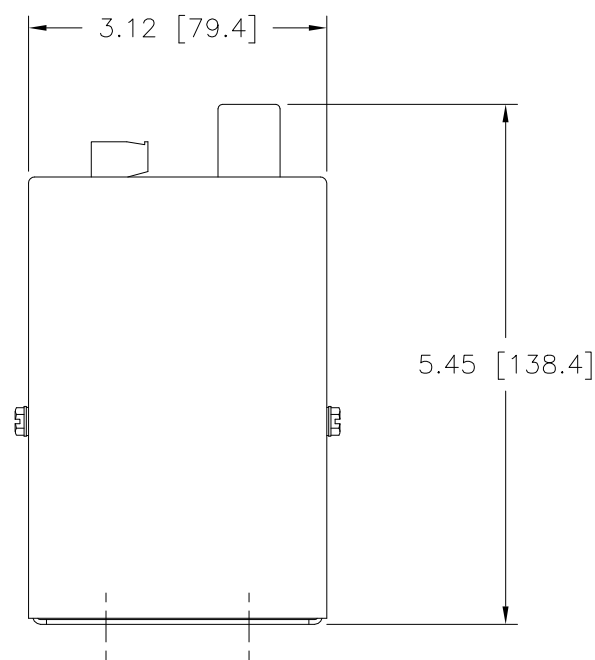
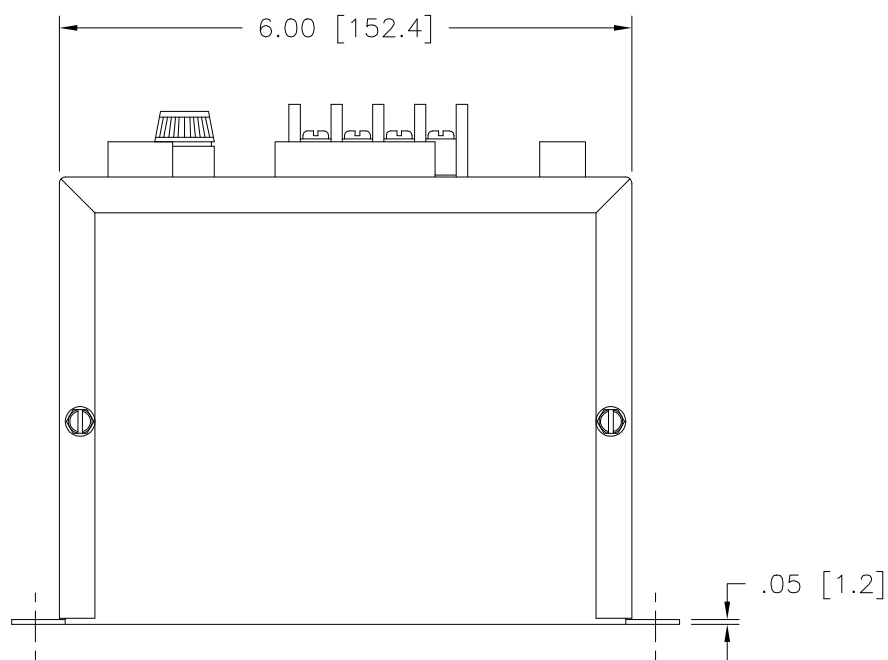
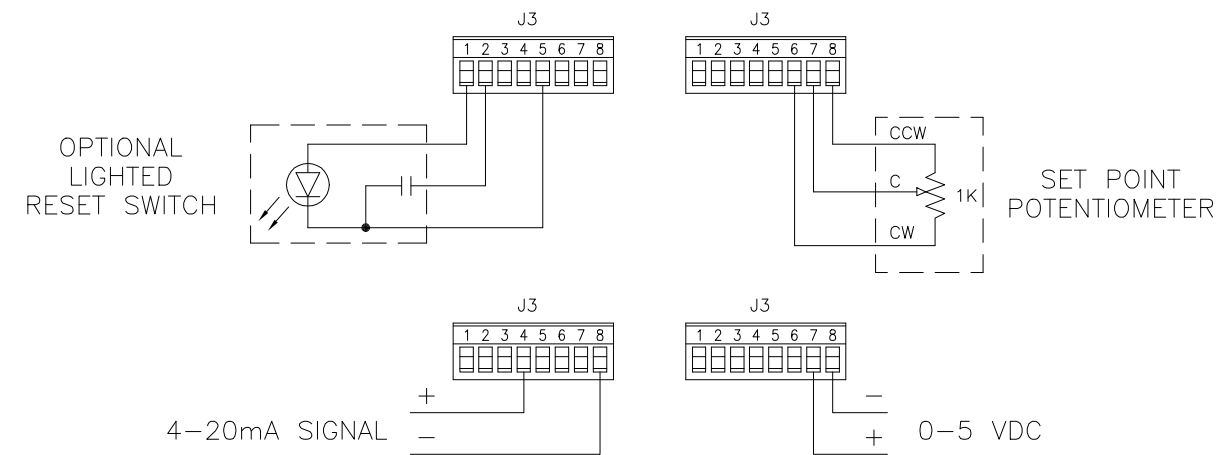
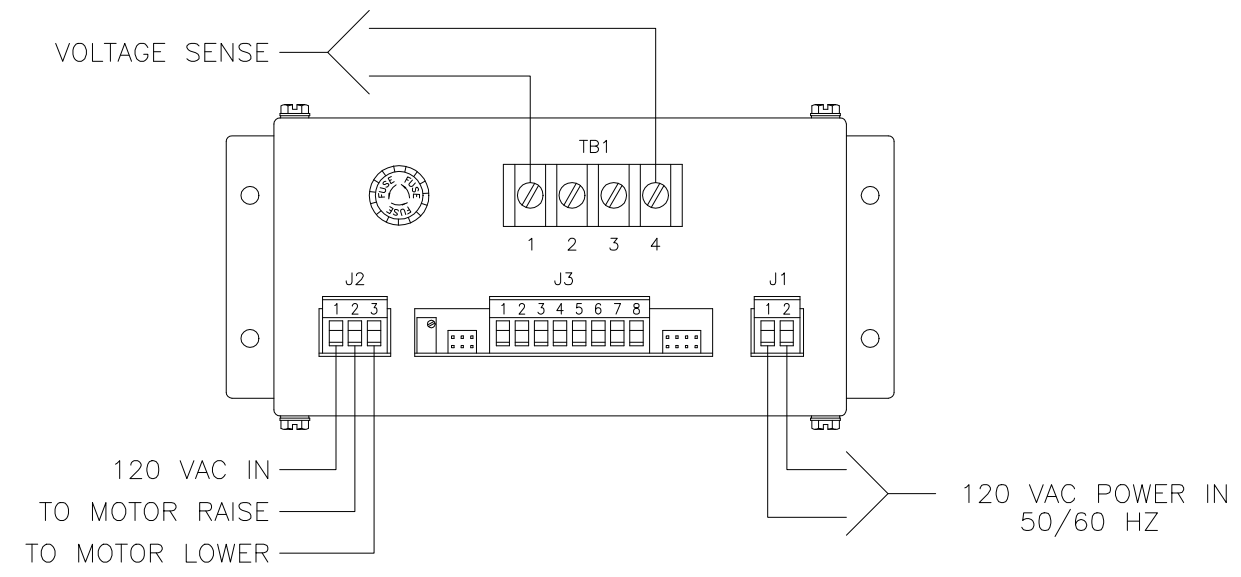
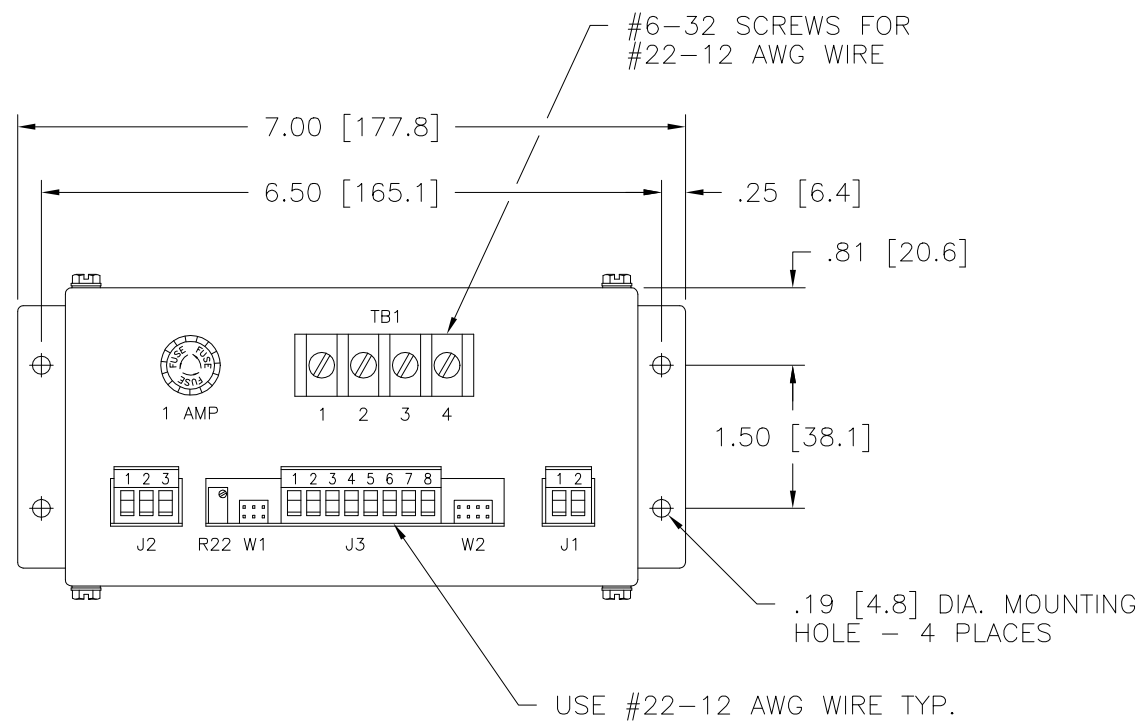
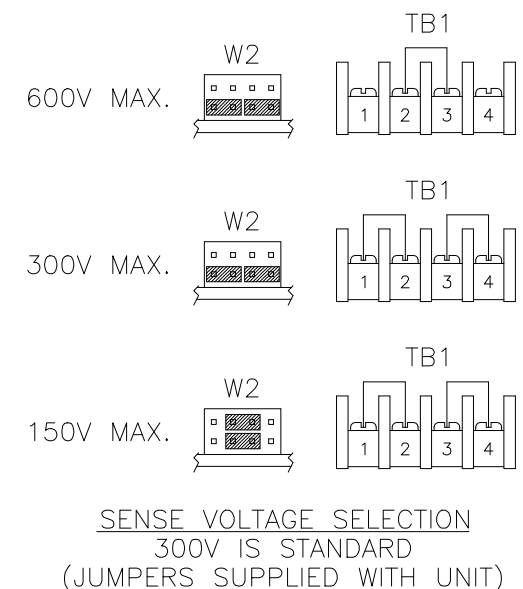
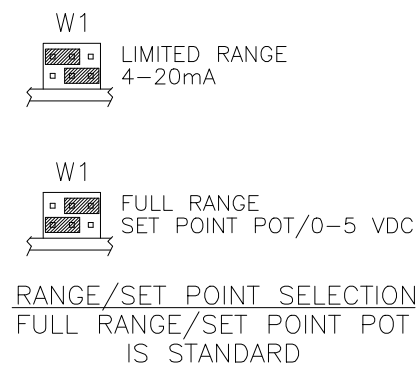


DWG. NO.	095-0553		
REVISIONS			
SYM.	E.C.N.	DATE	APVD.
A	23920	2/10/99	
CLARIFIED DIAGRAMS			
B	24018	7/19/99	
UPDATED POT WIRING			



WIRING DIAGRAM



UNLESS OTHERWISE SPECIFIED, TOLERANCE IS #		UNITS		TITLE:	
DECIMALS	HOLES	ANGLES	DRAFT	SPEC. CONTROL DRAWING	
.XX	.0000	.01	1°	FULL RANGE CONTROLLER	
XXX	.005			DRAWN BY S.A. SMITH	
MATERIAL:				DATE 5/15/98	FIRST USED ON FRC-20
ALL DIMENSIONS APPLY AFTER PLATING				DO NOT SCALE DWG.	CUSTOMER APPROVAL
The information and design disclosed herein was originated by and is the property of STACO ENERGY PRODUCTS CO., which reserves all patent, proprietary, design, manufacturing, reproduction, use and sale rights thereto, and to any article disclosed therein except to the extent rights are expressly granted to others. The foregoing does not apply to vendor proprietary parts.					
CHECKER	DATE	WEIGHT APPROX. 3 LBS	CODE IDENT. NO. 83008	DWG. NO. 095-0553	DWG. NO. 095-0553
ENGINEER	DATE	SCALE 1=1	SHEET 1 OF 1		

