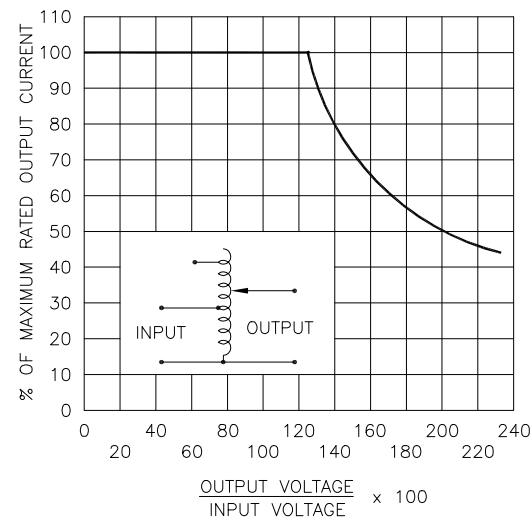
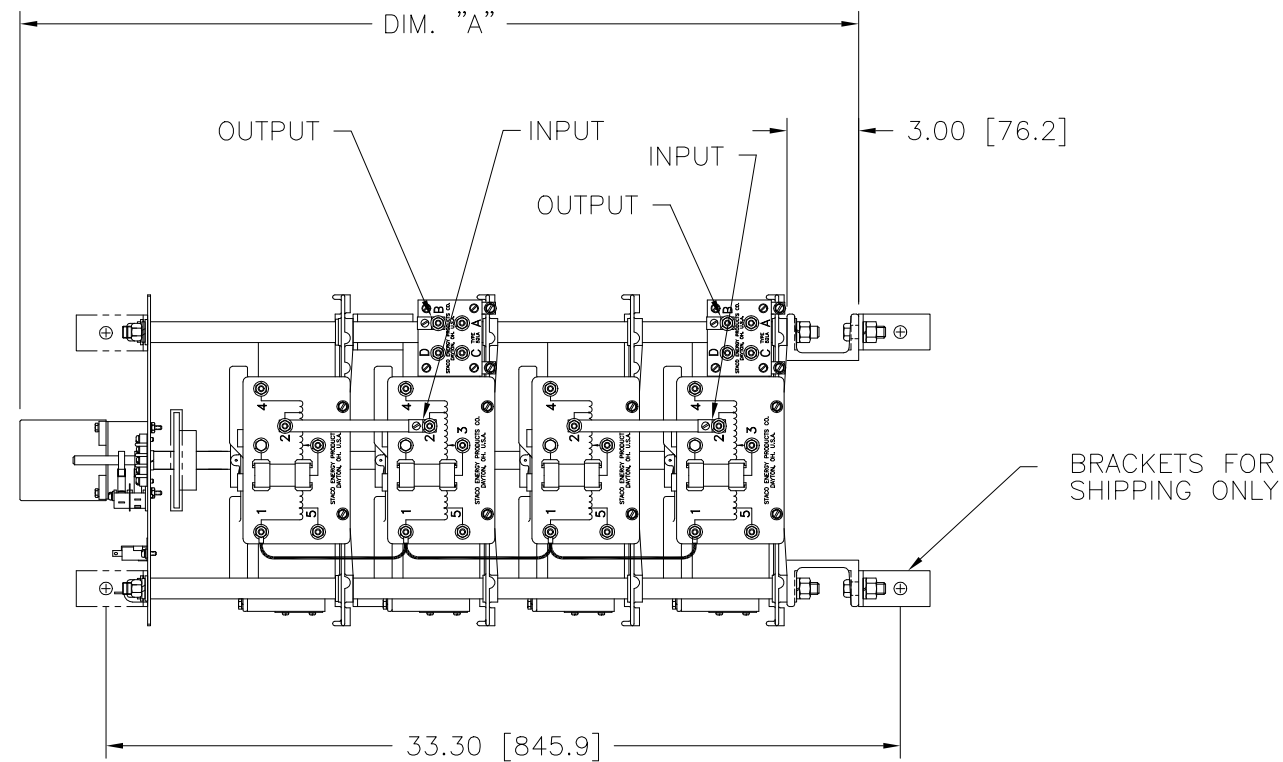
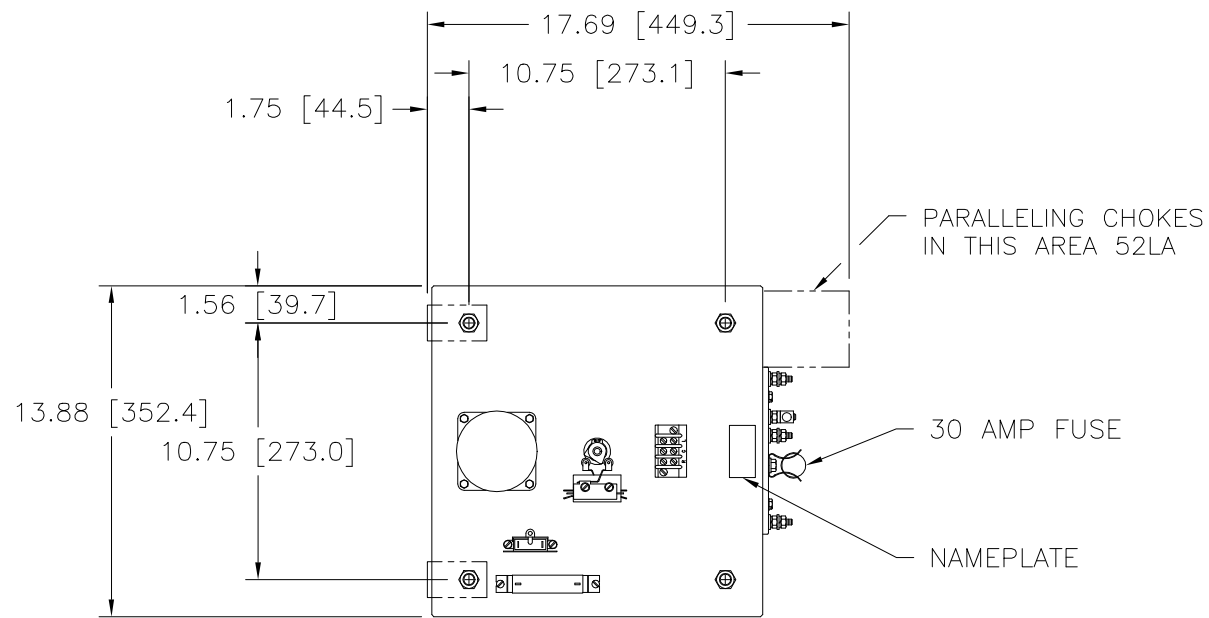
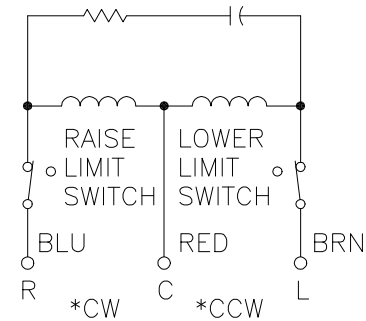
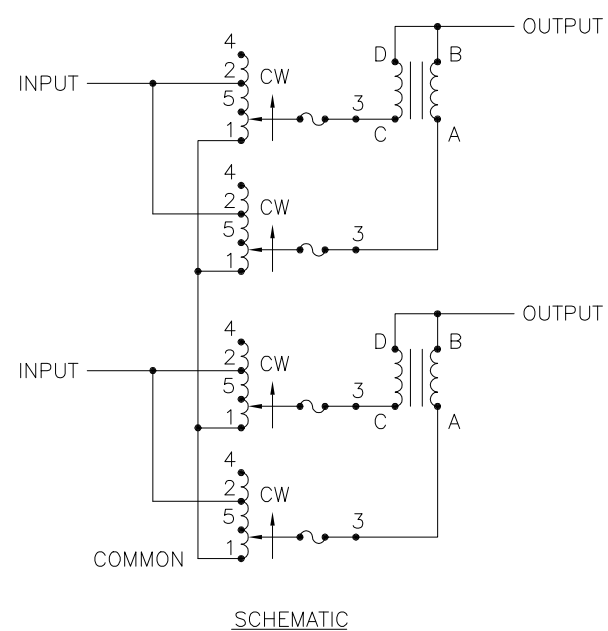


DWG. NO.	031-7734		
REVISIONS			
SYM.	E.C.N.	DATE	APVD.
A	23526	9/18/97	
REVISED & REDRAWN			
B	24073	9/20/99	
REVISED DIM "A"			



**FIGURE A**  
MAXIMUM OUTPUT CURRENT OF ANY DUAL INPUT VOLTAGE OR VOLTAGE DOUBLER UNIT OPERATED AT LOWER INPUT VOLTAGE.



120V, 50/60 HZ.  
\* ROTATION AS VIEWED FROM MOTOR END  
SPEED: SEE CHART

**MOTOR CIRCUIT**

- # MAXIMUM OUTPUT CURRENT IN OUTPUT VOLTAGE RANGE FROM 0 TO 25 % ABOVE LINE VOLTAGE. AT HIGHER OUTPUT VOLTAGES, THE OUTPUT CURRENT MUST BE REDUCED ACCORDING TO THE RATING DERATING CURVE, FIGURE A.
- + MAXIMUM KVA AT MAXIMUM OUTPUT VOLTAGE AND CORRESPONDING DERATED OUTPUT CURRENT. MAXIMUM KVA FOR LOWER VOLTAGES MAY BE CALCULATED FROM RATING CURVE, FIGURE A.

V.D. = VOLTAGE DOUBLER.

WIRING	INPUT		OUTPUT			SHAFT ROTATION FOR VOLTAGE INCREASE	TERMINAL CONNECTIONS FOR INCREASING VOLTAGE AS VIEWED FROM TOP	
	VOLTS	HERTZ	VOLTS	CONSTANT CURRENT LOAD			INPUT	OUTPUT
				MAX. AMPS	MAX. KVA			
SINGLE PHASE SERIES PARALLEL	480	50/60	0-480	56	26.9	CW	4-4	B-B
			0-560	56	31.4	CW	2-2	B-B
	240	50/60	0-560	56#24 V.D.	13.5 +	CW	5-5	B-B

SPEED (SECONDS)	MODEL NUMBER	DIM "A"
5	5M5021E-4PS	33.43 [849.1]
15	15M5021E-4PS	35.06 [890.5]
30	30M5021E-4PS	35.06 [890.5]
60	60M5021E-4PS	35.06 [890.5]

UNLESS OTHERWISE SPECIFIED, TOLERANCE IS # DECIMALS HOLES ANGLES DRAFT XX .000 .12 1000 .03 1° 1-1/2°

MATERIAL: \_\_\_\_\_

UNITS: IN [mm]

ALL DIMENSIONS APPLY AFTER PLATING

TITLE: SPEC. CONTROL DRAWING MOTORIZED VARIABLE XFMR. TYPE: M5021-4PS

STACO ENERGY PRODUCTS CO. A COMPONENTS CORPORATION OF AMERICA COMPANY DAYTON, OHIO U.S.A.

DRAWN BY	DATE	FIRST USED ON	DO NOT SCALE DWG.	CUSTOMER APPROVAL	DATE
TIM RAU	9/10/97				
CHECKER	DATE	WEIGHT APPROX.	CODE IDENT. NO. 83008	DWG. NO.	DWG. NO.
ENGINEER	DATE	SCALE .25=1	SHEET 1 OF 1	D	031-7734