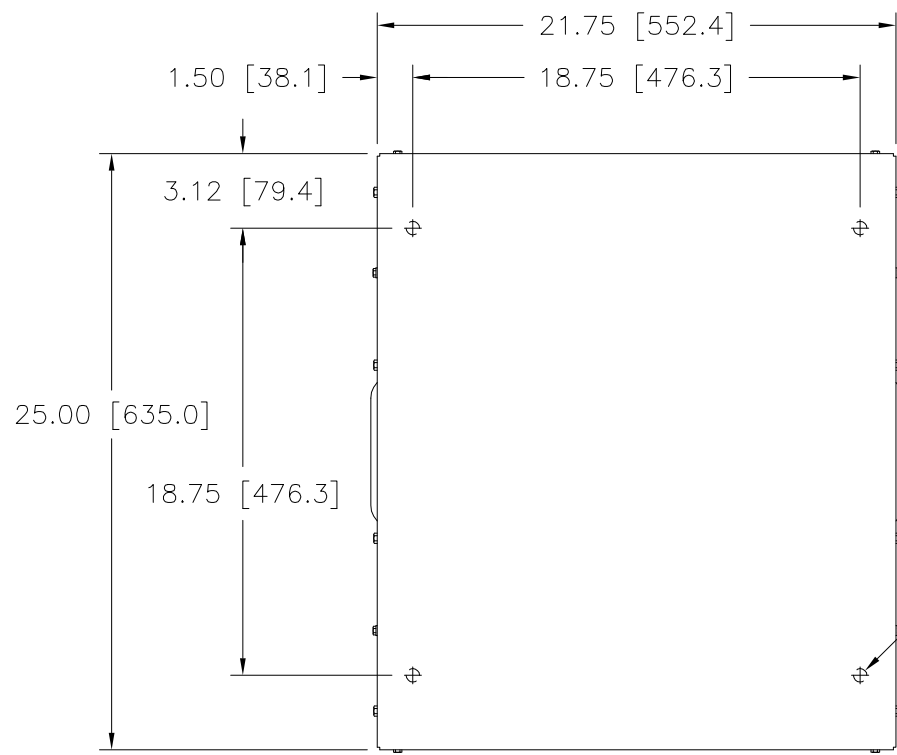


DWG. NO.	031-7685		
REVISIONS			
SYM.	E.C.N.	DATE	APVD.
A	23450	7/29/97	REVISED & REDRAWN
B	23562	12/01/97	REVISED & UPDATED



.56 [14.3] DIA. HOLE
4 PLACES ON BOTTOM
FLANGES FOR CUSTOMER
MOUNTING

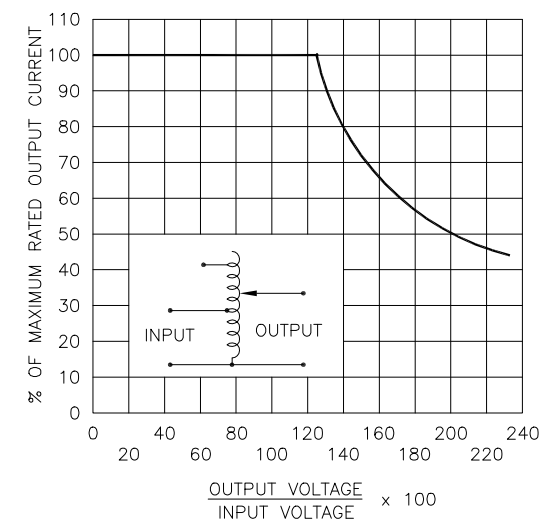
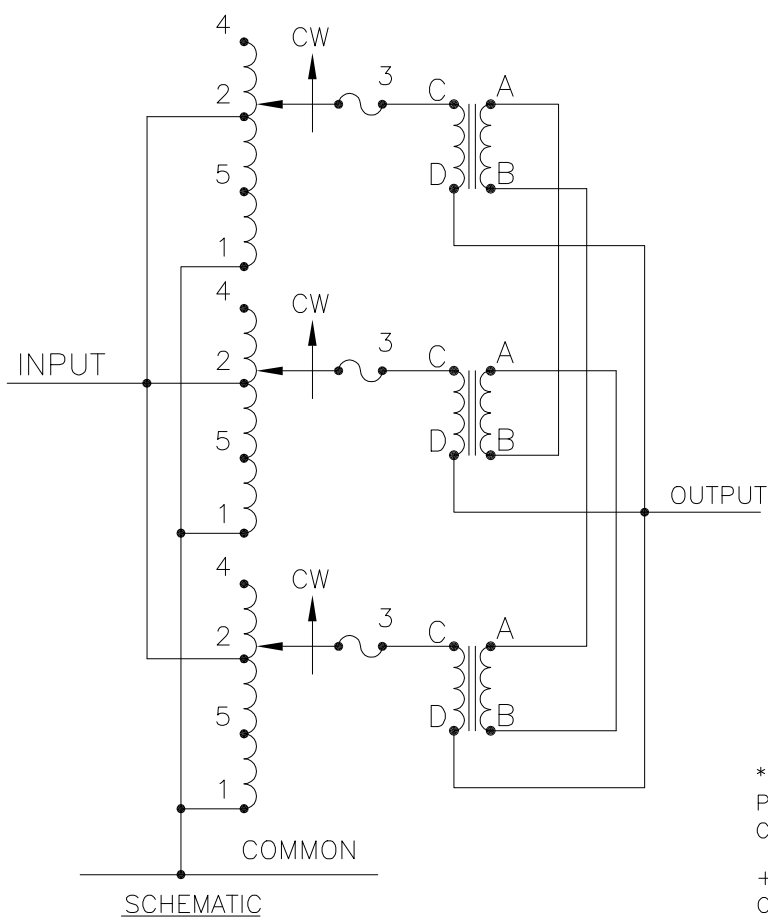
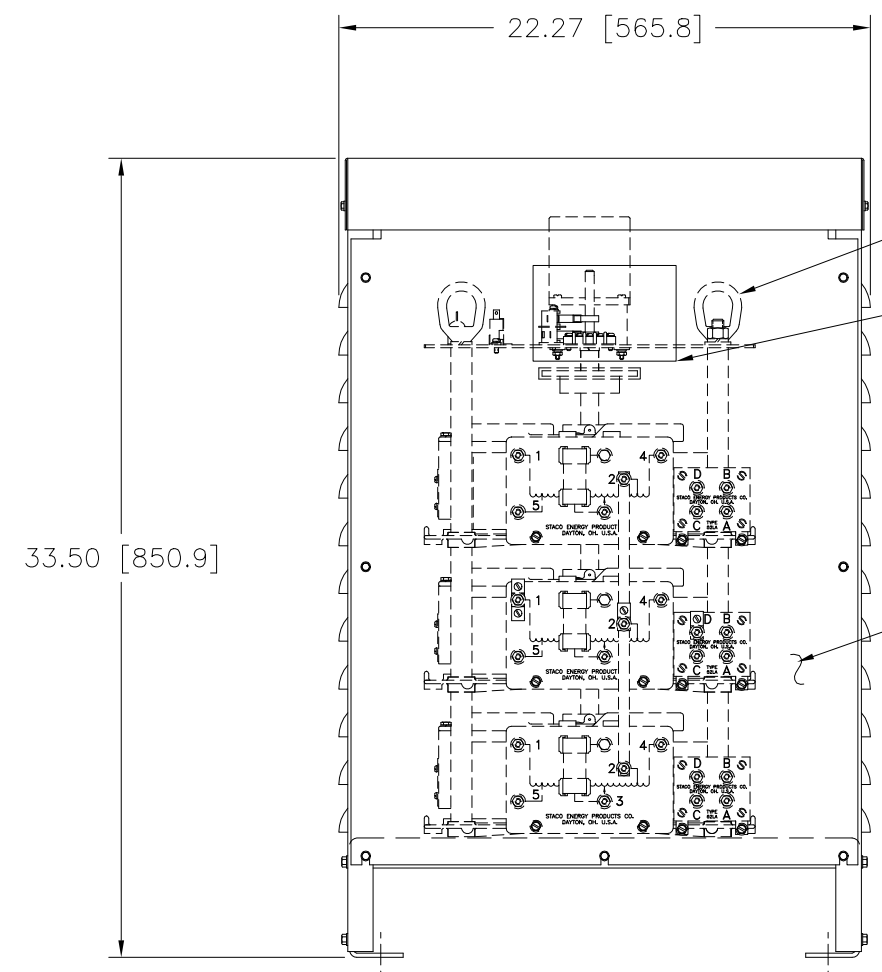


FIGURE A
MAXIMUM OUTPUT CURRENT OF ANY
DUAL INPUT VOLTAGE OR VOLTAGE DOUBLER
UNIT OPERATED AT LOWER INPUT VOLTAGE.

* MAXIMUM OUTPUT CURRENT IN OUTPUT VOLTAGE RANGE FROM 0 TO 25 PERCENT ABOVE LINE VOLTAGE. AT HIGHER OUTPUT VOLTAGES, OUTPUT CURRENT MUST BE REDUCED ACCORDING TO RATING CURVE (SEE FIGURE A).

++ MAXIMUM KVA AT MAXIMUM OUTPUT AND CORRESPONDING DE-RATED CURRENT. MAXIMUM KVA AT LOWER OUTPUT VOLTAGES MAY BE CALCULATED FROM RATING CURVE, (SEE FIGURE A).

V.D. = VOLTAGE DOUBLER.

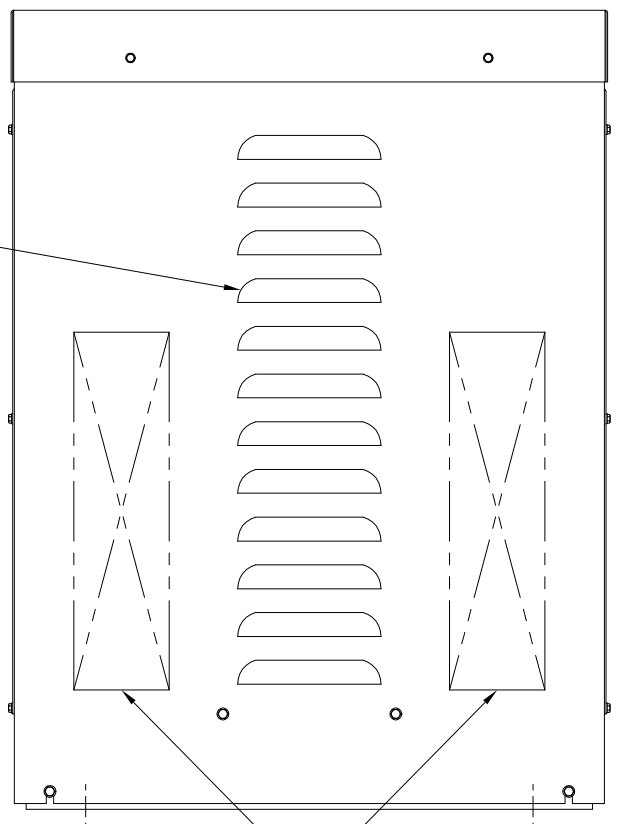


2 EYENUTS
FOR CONVEYING

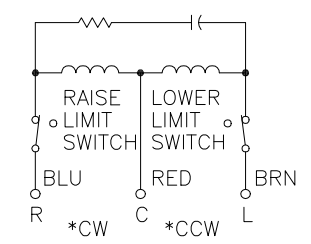
NAMEPLATE

LOUVER VENTS
BOTH SIDES

ACCESS PANEL TO
FUSES & TERMINALS



RECOMMENDED AREAS
FOR CONDUIT ENTRY



MOTOR CIRCUIT
120V, 50/60 HZ
* ROTATION AS VIEWED
FROM TOP END
MOTOR SPEEDS: SEE CHART

SPEED (SECONDS)	MODEL NUMBER
5	5M5021E-3P
15	15M5021E-3P
30	30M5021E-3P
60	60M5021E-3P

WIRING	INPUT		OUTPUT		SHAFT ROTATION FOR VOLTAGE INCREASE	TERMINAL CONNECTIONS FOR INCREASING VOLTAGE AS VIEWED FROM TOP		
	VOLTS	HERTZ	VOLTS	CONSTANT CURRENT LOAD		INPUT	OUTPUT	
				MAX. AMPS				MAX. KVA
SINGLE PHASE PARALLEL	240	50/60	0-240	84	20.2	CW	1-4	1-D
			0-280	84	23.5	CW	1-2	1-D
	120	50/60	0-280	84-36 V.D.	10.2 ++	CW	1-5	1-D

UNLESS OTHERWISE SPECIFIED, TOLERANCE IS # DECIMALS .XX .XXX .12 .000 .03 .1° .1-1/2° UNITS IN [mm]

MATERIAL: ALL DIMENSIONS APPLY AFTER PLATING

TITLE: SPEC. CONTROL DRAWING MOTORIZED VARIABLE XFMR. TYPE: M5021E-3P

STACO ENERGY PRODUCTS CO. DAYTON, OHIO U.S.A.

DRAWN BY	DATE	FIRST USED ON	DO NOT SCALE DWG.	CUSTOMER APPROVAL	DATE
TIM RAU	7/10/97				
CHECKER	DATE	WEIGHT APPROX.	CODE IDENT. NO. 83008	DWG. NO.	DWG. NO.
				D	031-7685

The information and design disclosed herein was originated by and is the property of STACO ENERGY PRODUCTS CO., which reserves all patent, proprietary, design, manufacturing, reproduction, use and sale rights thereto, and to any article disclosed therein except to the extent rights are expressly granted to others. The foregoing does not apply to vendor proprietary parts.

SCALE .25=1 SHEET 1 OF 1