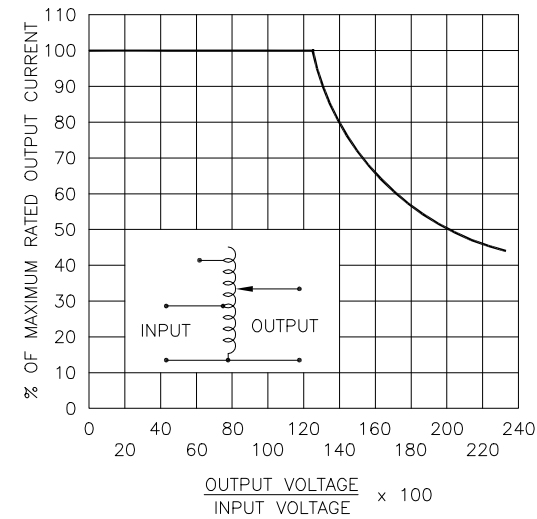
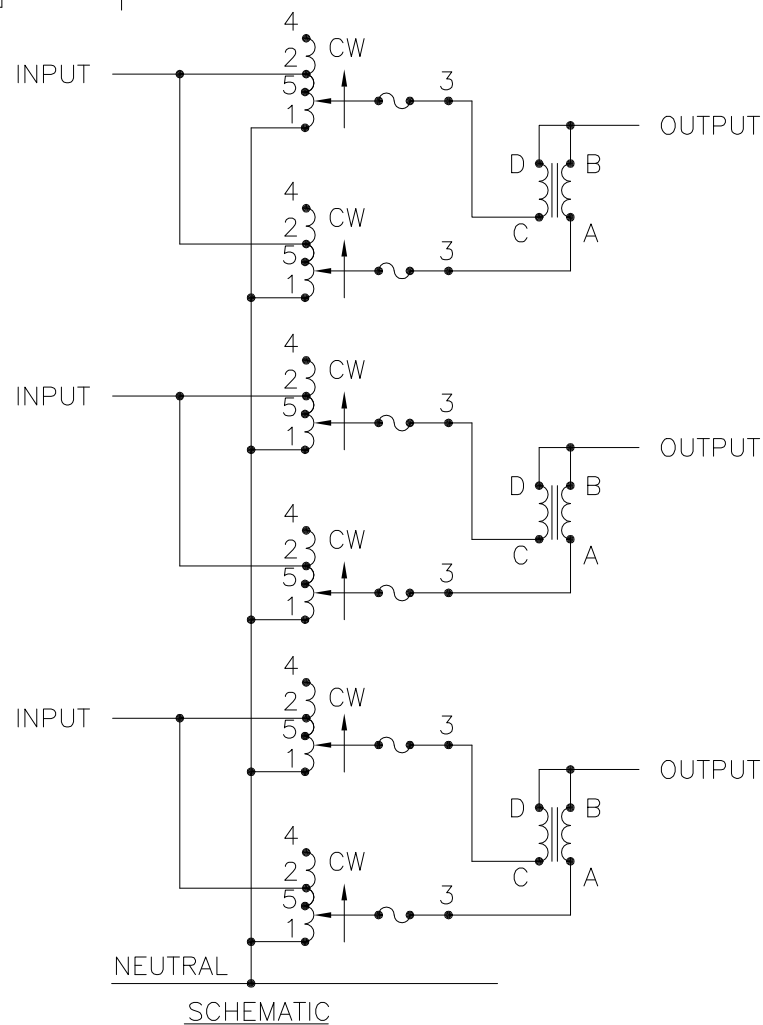
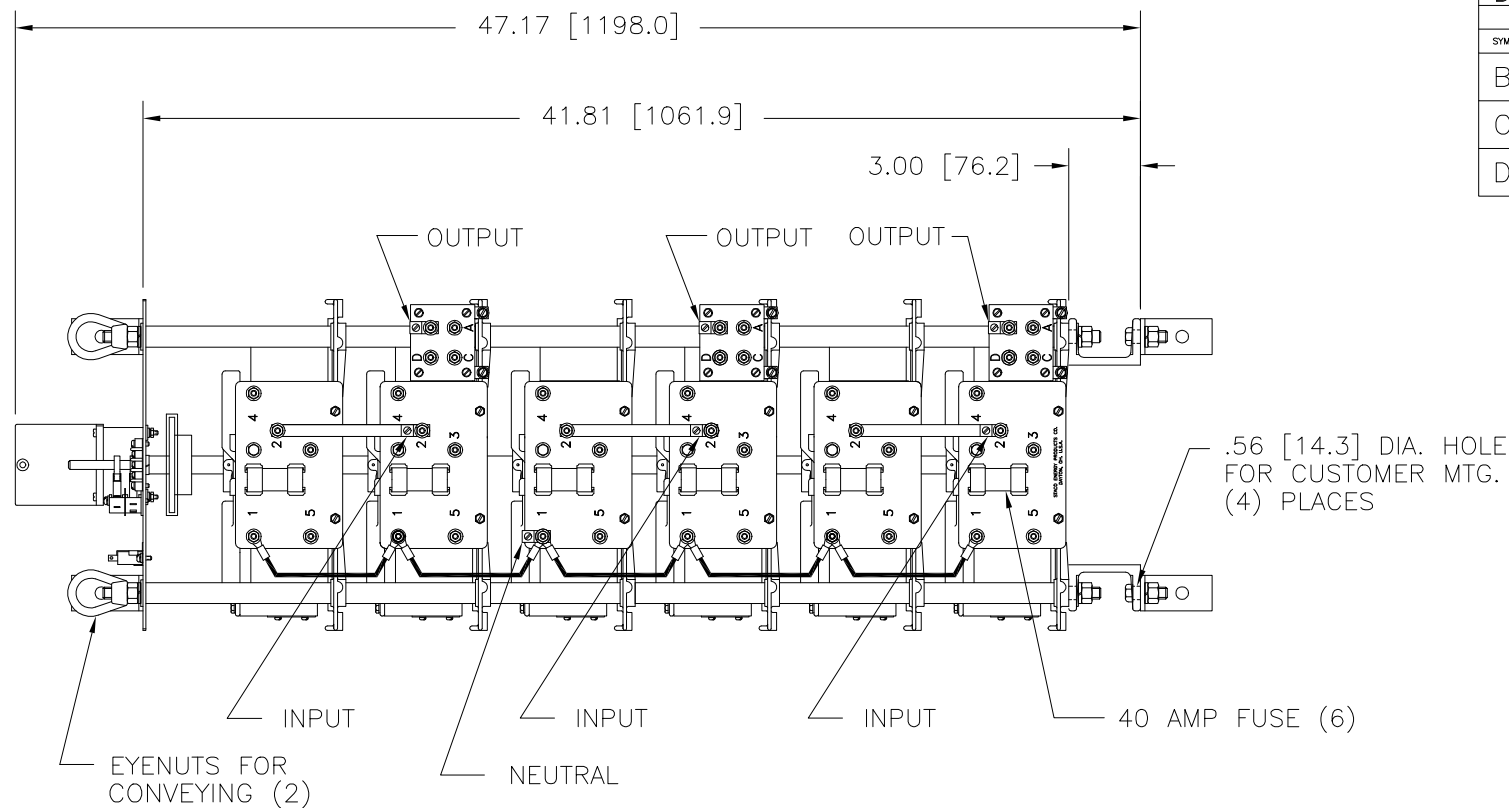
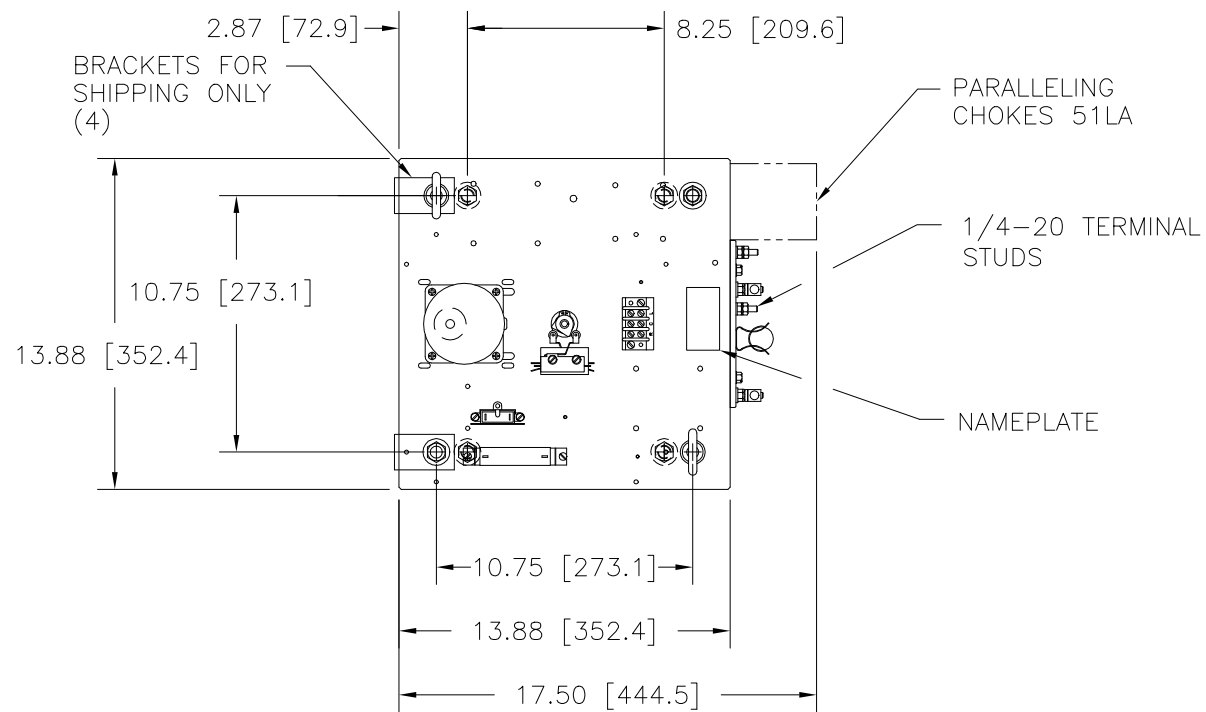
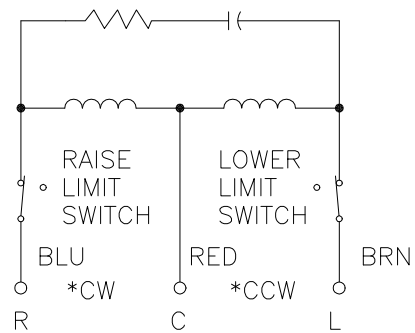


|                   |          |          |       |
|-------------------|----------|----------|-------|
| DWG. NO.          | 032-8363 |          |       |
| REVISIONS         |          |          |       |
| SYM.              | E.C.N.   | DATE     | APVD. |
| B                 | 23001    | 12/7/95  |       |
| REDRAWN ON CAD    |          |          |       |
| C                 | 23245    | 11/18/96 |       |
| REVISED & UPDATED |          |          |       |
| D                 | 24215    | 4/18/00  |       |
| REVISED & UPDATED |          |          |       |



**FIGURE A**  
MAXIMUM OUTPUT CURRENT OF ANY DUAL INPUT VOLTAGE OR VOLTAGE DOUBLER UNIT OPERATED AT LOWER INPUT VOLTAGE.

| SPEED (SECONDS) | MODEL NUMBER |
|-----------------|--------------|
| 15              | 15M6020-6Y   |
| 30              | 30M6020-6Y   |
| 60              | 60M6020-6Y   |



**MOTOR CIRCUIT**

120V 50/60 HZ

\* ROTATION AS VIEWED FROM MOTOR END

MOTOR SPEED : SEE CHART

| WIRING          | SPECIFICATIONS |       |        |             |          |                                     |   |        |        |
|-----------------|----------------|-------|--------|-------------|----------|-------------------------------------|---|--------|--------|
|                 | INPUT          |       | OUTPUT |             |          | SHAFT ROTATION FOR INCREASE VOLTAGE | TERMINAL CONNECTIONS                            |        |        |
|                 | VOLTS          | HERTZ | VOLTS  | MAX. AMPS   | MAX. KVA |                                     | FOR INCREASING VOLTAGE AS VIEWED FROM ROTOR END |        |        |
| THREE PHASE WYE | 480            | 50/60 | 0-480  | 70          | 58.1     | CW                                  | INPUT   | JUMPER | OUTPUT |
|                 |                | 60    | 0-560  | 70          | 67.8     | CW                                  | 4-4-4   | ---    | B-B-B  |
|                 | 240            | 60    | 0-560  | 70 #30 V.D. | 29.1 ++  | CW                                  | 2-2-2   | ---    | B-B-B  |
|                 |                |       |        |             |          |                                     | 5-5-5   | ---    | B-B-B  |

UNLESS OTHERWISE SPECIFIED, TOLERANCE IS # DECIMALS .XX, .XXX, .XXX, .005  
HOLES .12, .002  
ANGLES 1°  
DRAFT 1-1/2°  
UNITS IN [mm]  
MATERIAL: ALL DIMENSIONS APPLY AFTER PLATING

TITLE: SPEC. CONTROL DRAWING  
MOTORIZED VARIABLE XFMR  
M6020-6Y

STACO ENERGY PRODUCTS CO.  
A COMPONENTS CORPORATION OF AMERICA COMPANY  
DAYTON, OHIO U.S.A.

DRAWN BY: TIM RAU  
DATE: 11/18/96  
FIRST USED ON: 11/18/96  
DO NOT SCALE DWG.  
CHECKER: DATE: WEIGHT APPROX. CODE IDENT. NO. 83008  
ENGINEER: DATE: SCALE .25=1 SHEET 1 OF 1

CUSTOMER APPROVAL: DATE: DWG. NO. 032-8363