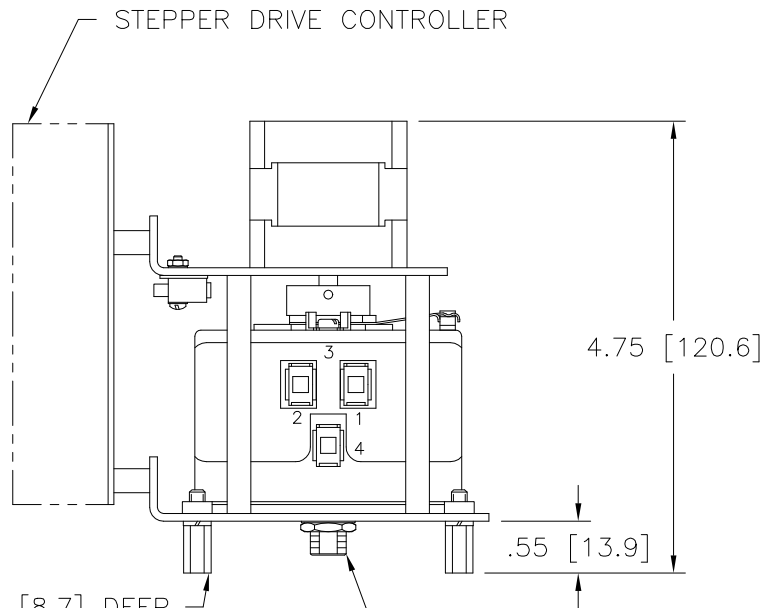
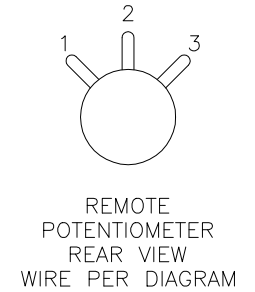
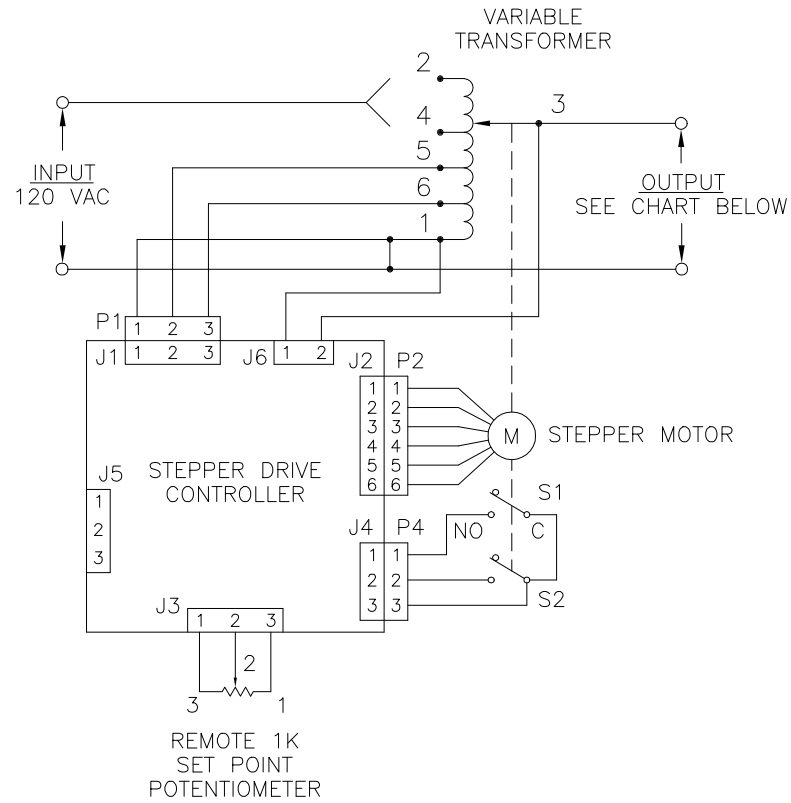
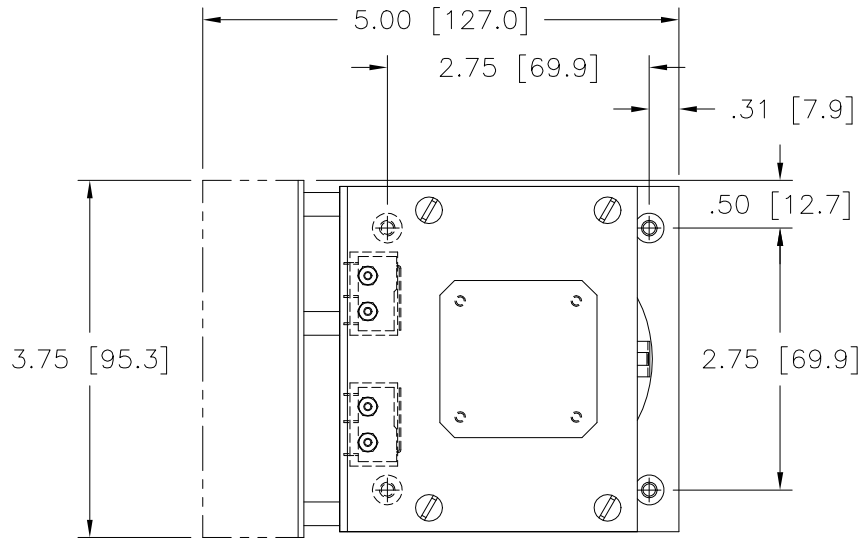


DWG. NO.	095-1840		
REVISIONS			
SYM.	E.C.N.	DATE	APVD.
A	24028	8/10/99	CLARIFIED 5VDC NOTE



#8-32 X .34 [8.7] DEEP  
THREADS (4) PLACES  
FOR MOUNTING ON  
REMOVABLE FEET OR  
#8-32 THREADS ON PLATE

3/8-32 NEF-2A THREAD

**SET POINT ADJUSTMENT:**

THE OUTPUT SET POINT MAY BE ADJUSTED WITH THE REMOTE 1K POTENTIOMETER PROVIDED OR WITH A 0-5 VDC SIGNAL TO THE J3 CONNECTOR ON THE STEPPER DRIVE CONTROL. MAKE CONNECTIONS TO J3-2(+) & J3-3(-). A NOMINAL +5 VDC SETPOINT SUPPLY IS AVAILABLE AT J3-1 (ADJUSTABLE AT TRIMPOT R22).

SPECIFICATIONS									
WIRING	INPUT		OUTPUT				TERMINAL CONNECTIONS		
	VOLTS	HERTZ	VOLTS	CONSTANT CURRENT LOAD		CONSTANT IMPEDANCE LOAD		INPUT	OUTPUT
				MAX. AMPS	MAX. KVA	MAX. AMPS	MAX. KVA		
SINGLE PHASE	120	50/60	0-120	2.5	0.30	3.2	0.38	1-2	1-3
		60	0-132	2.5	0.33	-	-	1-4	1-3

UNLESS OTHERWISE SPECIFIED, TOLERANCE IS ±				UNITS		TITLE:					
DECIMALS	HOLES	ANGLES	DRAFT	IN [mm]		SPEC. CONTROL DRAWING STEPPER DRIVEN VARIABLE TRANSFORMER MODEL SD221-B					
.XX	.0005	.002	1°	1-1/2°							
MATERIAL:				ALL DIMENSIONS APPLY AFTER PLATING		DRAWN BY		DATE		FIRST USED ON	
						S.A. SMITH		1/24/96		DO NOT SCALE DWG.	
						CHECKER		DATE		WEIGHT APPROX.	
						ENGINEER		DATE		SCALE 1=1	
										CUSTOMER APPROVAL	
										DATE	
										DWG. NO.	
										C 095-1840	



The information and design disclosed herein was originated by and is the property of STACO ENERGY PRODUCTS CO., which reserves all patent, proprietary, design, manufacturing, reproduction, use and sale rights thereto, and to any article disclosed therein except to the extent rights are expressly granted to others. The foregoing does not apply to vendor proprietary parts.