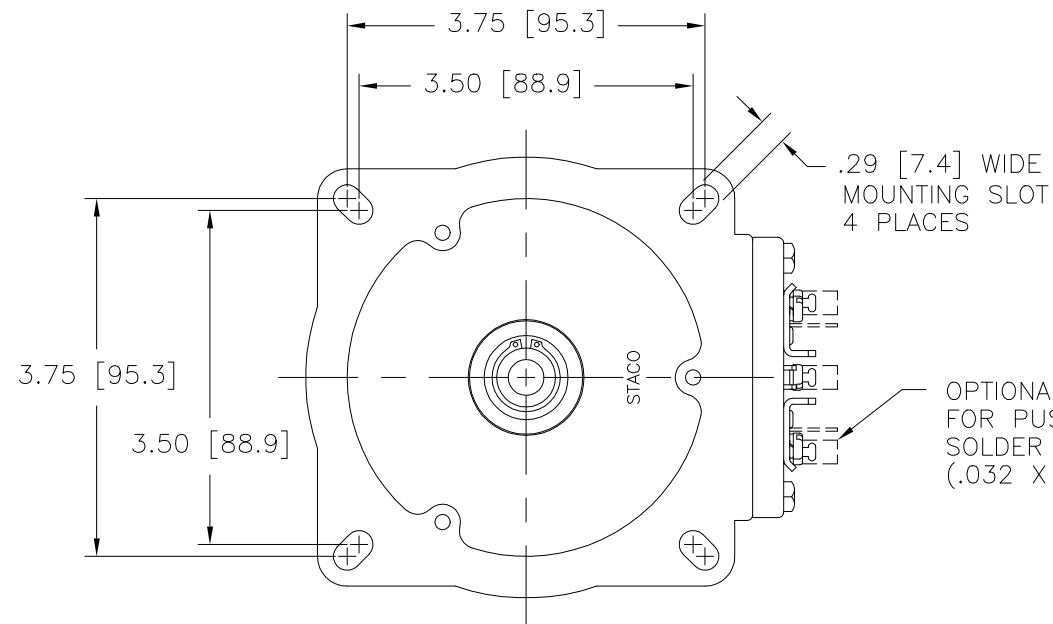


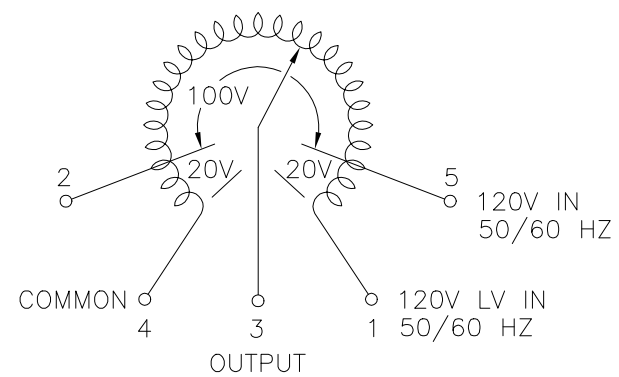
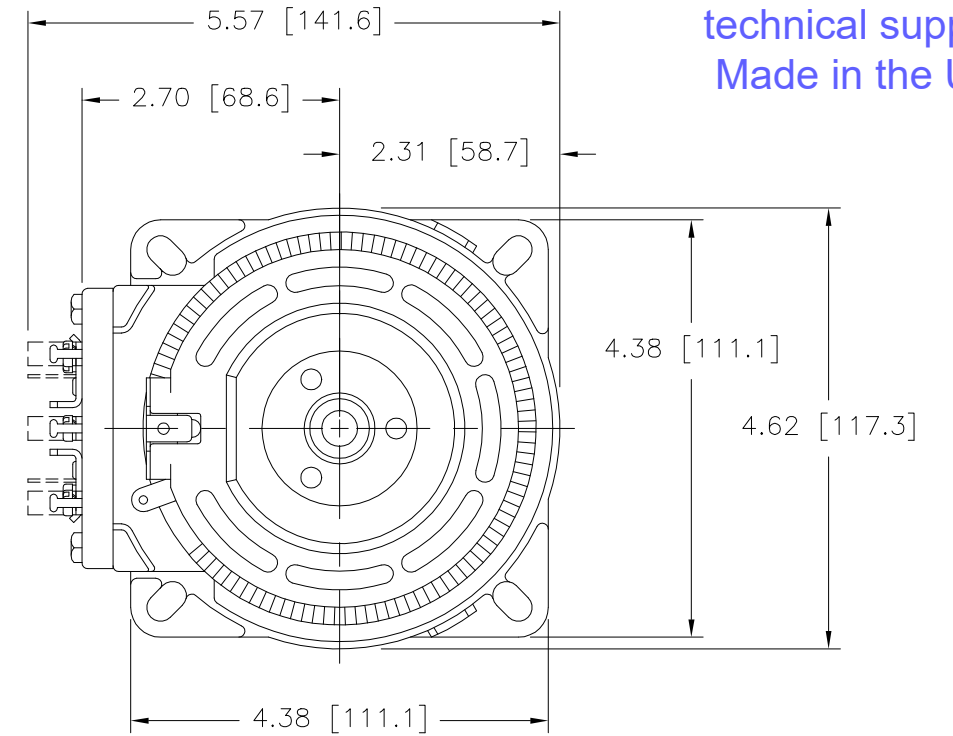
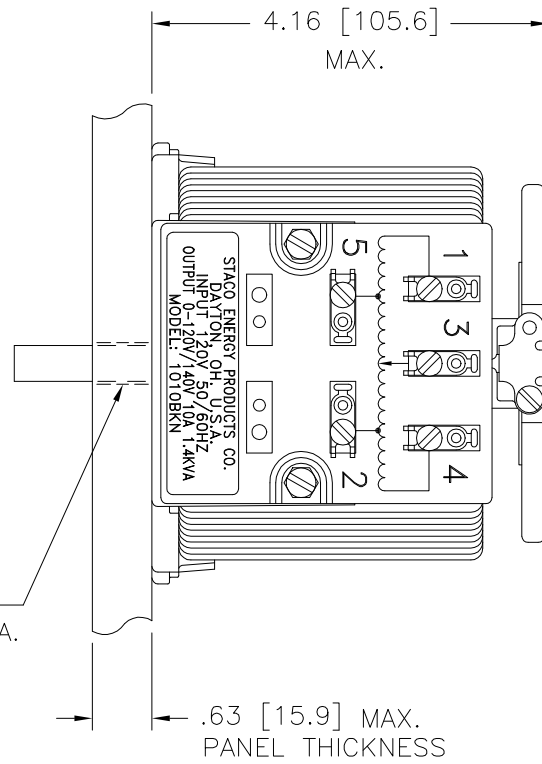
DWG. NO.	031-1606		
REVISIONS			
SYM.	E.C.N.	DATE	APVD.
A	24194	4/7/00	
DELETED BLIND HOLES			

Go to VARIAC.com
to purchase and for
technical support.
Made in the USA



OPTIONAL TERMINALS FOR PUSH ON OR SOLDER CONNECTIONS (.032 X .250) [0.8 X 6.4]

HOLE IN PANEL TO CLEAR .38 [9.5] DIA. CENTER SHAFT



SCHEMATIC
VIEW FROM BASE END
FUSE RECOMMENDED BUT NOT SUPPLIED

SPECIFICATIONS											
WIRING	INPUT		OUTPUT				SHAFT ROTATION TO INCREASE VOLTAGE	TERMINAL CONNECTIONS			
	VOLTS	HERTZ	VOLTS	CONSTANT CURRENT LOAD		CONSTANT IMPEDANCE LOAD		FOR INCREASING VOLTAGE AS VIEWED FROM BASE END			
				MAX. AMPS	MAX. KVA	MAX. AMPS		MAX. KVA	INPUT	JUMPER	OUTPUT
SINGLE PHASE	120	50/60	0-120	10	1.2	13	1.56	CW	1-4	---	4-3
			0-140	10	1.4	---	---	CCW	1-4	---	1-3
								CW	4-5	---	4-3
								CCW	1-2	---	1-3

UNLESS OTHERWISE SPECIFIED, TOLERANCE IS # DECIMALS .XX .0005 .03 .002 .05 ANGLES 1° DRAFT 1-1/2° UNITS IN [mm]

TITLE: SPEC. CONTROL DRAWING VARIABLE TRANSFORMER MODEL: 1010BKN



<small>The information and design disclosed herein was originated by and is the property of STACO ENERGY PRODUCTS CO., which reserves all patent, proprietary, design, manufacturing, reproduction, use and sale rights thereto, and to any article disclosed therein except to the extent rights are expressly granted to others. The foregoing does not apply to vendor proprietary parts.</small>	DRAWN BY S.A. SMITH	DATE 9/16/97	FIRST USED ON 	DO NOT SCALE DWG.	CUSTOMER APPROVAL 	DATE
CHECKER 	DATE 	WEIGHT APPROX. 9 LBS	CODE IDENT. NO. 83008	DWG. SIZE D	DWG. NO. 031-1606	
ENGINEER 	DATE 	SCALE 1=1	SHEET 1 OF 1			