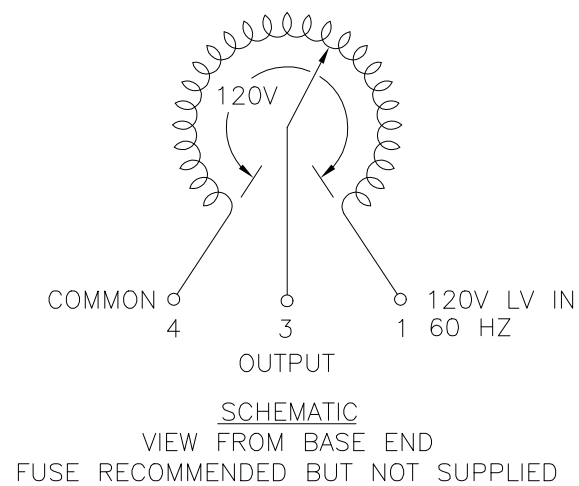
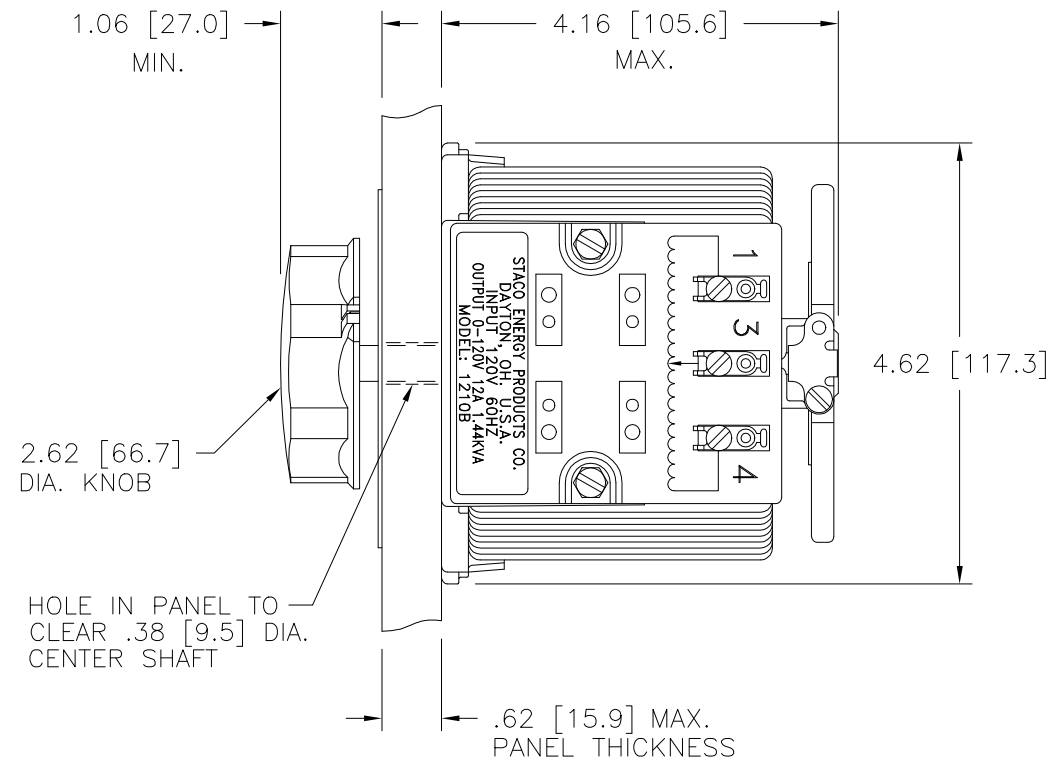
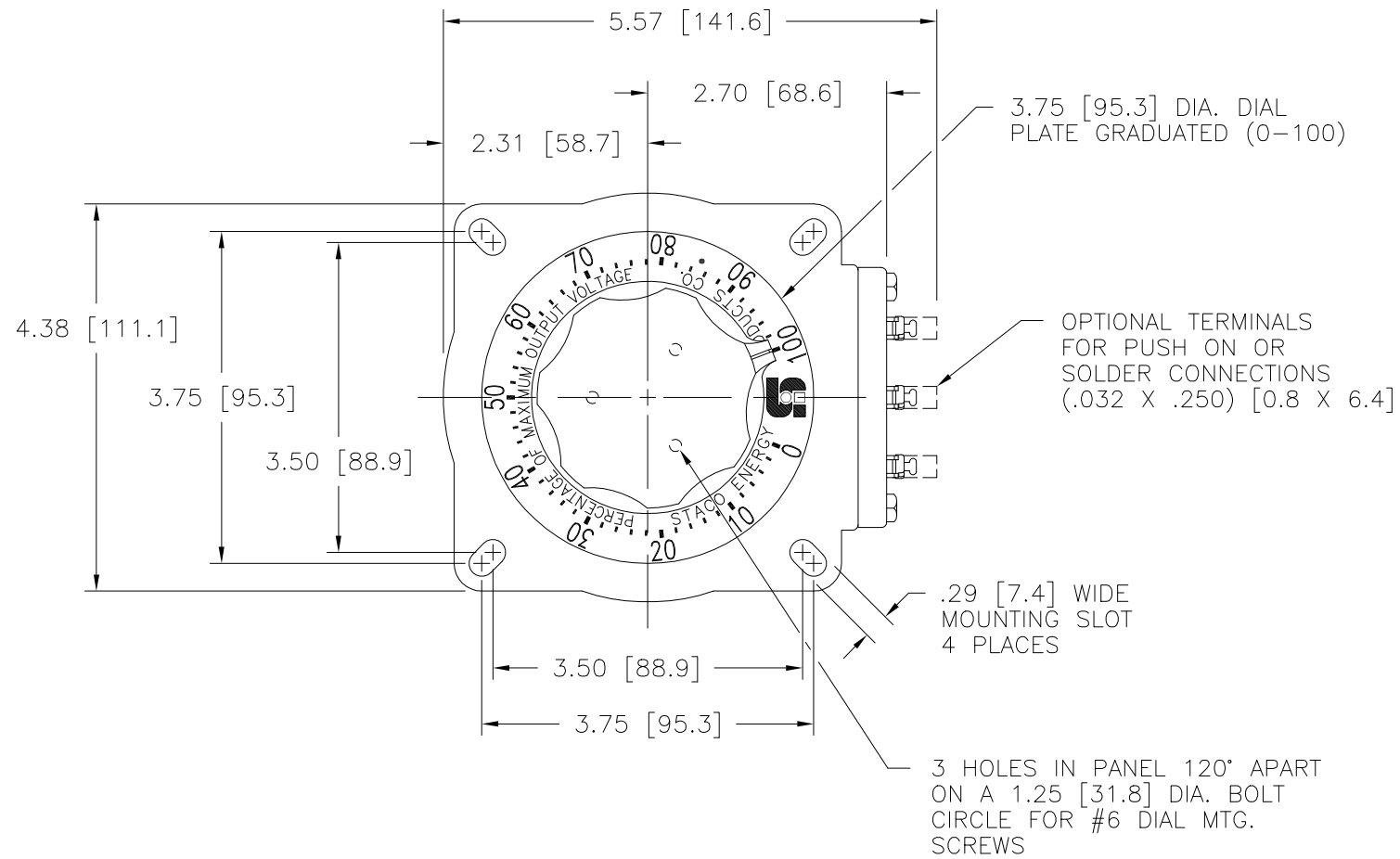


Go to VARIAC.com
to purchase and for
technical support.
Made in the USA



SPECIFICATIONS											
WIRING	INPUT		OUTPUT				SHAFT ROTATION TO INCREASE VOLTAGE	TERMINAL CONNECTIONS			
	VOLTS	HERTZ	VOLTS	CONSTANT CURRENT LOAD		CONSTANT IMPEDANCE LOAD		FOR INCREASING VOLTAGE AS VIEWED FROM BASE END			
				MAX. AMPS	MAX. KVA	MAX. AMPS	MAX. KVA		INPUT	JUMPER	OUTPUT
SINGLE PHASE	120	60	0-120	12	1.44	15	1.80	CW	1-4	—	4-3
								CCW	1-4	—	1-3

UNLESS OTHERWISE SPECIFIED, TOLERANCE IS #				UNITS		TITLE: SPEC. CONTROL DRAWING				
DECIMALS	Holes	ANGLES	DRAFT	IN [mm]		SPEC. CONTROL DRAWING				
.XX	.002	1°	1-1/2°			VARIABLE TRANSFORMER				
.XXX	.005					MODEL: 1210B				
MATERIAL:				ALL DIMENSIONS APPLY AFTER PLATING		STACO ENERGY PRODUCTS CO. A COMPONENTS CORPORATION OF AMERICA COMPANY DAYTON, OHIO U.S.A.				
DRAWN BY		DATE	FIRST USED ON	DO NOT SCALE DWG.		CUSTOMER APPROVAL		DATE		
S.A. SMITH		9/24/97								
CHECKER	DATE	WEIGHT APPROX.	CODE IDENT. NO.	DWG. NO.						
		10 LBS	83008	031-2960						
ENGINEER	DATE	SCALE	SHEET 1 OF 1	DWG. NO.						
		1=1		031-2960						