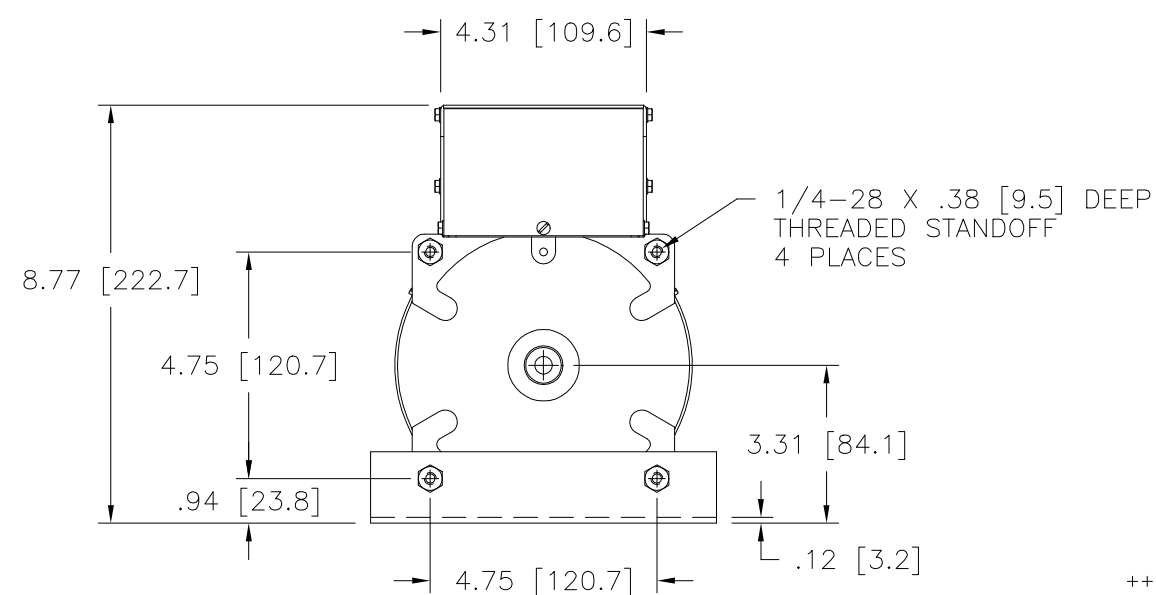
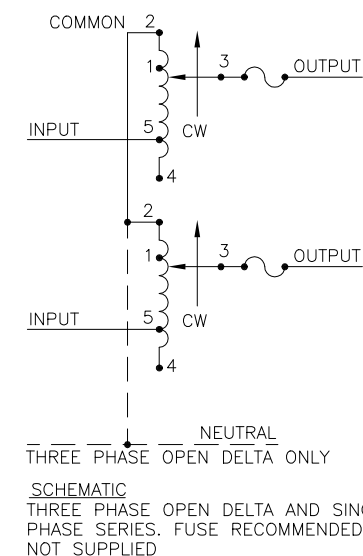


NOTE:  
 UNIT IS SUPPLIED WITH A 3.75 [95.2] DIA. 0-100 GRADUATED  
 DIAL PLATE FOR PANEL MOUNTING.



++ LINE TO LINE VOLTAGE.

⌘ IF GANGED UNITS ARE USED IN A SYSTEM THAT ORDINARILY HAS A COMMON  
 NEUTRAL OR GROUND BETWEEN SOURCE AND LOAD, THE NEUTRAL OR GROUND  
 MUST BE CONNECTED TO THE COMMON TERMINALS OF THE VARIABLE TRANSFORMER  
 ASSEMBLY. IF THE SYSTEM HAS NO NEUTRAL, THE LOAD MUST BE BALANCED OR  
 THE TRANSFORMER WILL BE DAMAGED.

■ JUMPER PROVIDED IN STANDARD COMMON POSITION AND SHOULD BE MOVED OR  
 REMOVED AS REQUIRED.

SPECIFICATIONS											
WIRING	INPUT		OUTPUT				SHAFT ROTATION TO INCREASE VOLTAGE	TERMINAL CONNECTIONS			
	VOLTS	HERTZ	VOLTS	CONSTANT CURRENT LOAD		CONSTANT IMPEDANCE LOAD		MOTOR DRIVEN UNITS USE CCW FOR INCREASING VOLTAGE AS VIEWED FROM BASE END ■			
				MAX. AMPS	MAX. KVA	MAX. AMPS		MAX. KVA	INPUT	JUMPER	OUTPUT
SINGLE PHASE SERIES	240	50/60	0-240	15	3.60	20	4.80	CW	2-2	4-4	3-3
			0-280	15	4.20	—	—	CCW	4-4	2-2	3-3
								CW	1-1	4-4	3-3
								CCW	5-5	2-2	3-3
THREE PHASE OPEN DELTA π	120 ++	50/60	0-120	15	3.12	20	4.15	CW	2-4-2	4-4	3-4-3
			0-140	15	3.64	—	—	CCW	4-2-4	2-2	3-2-3
								CW	1-4-1	4-4	3-4-3
								CCW	5-2-5	2-2	3-2-3

UNLESS OTHERWISE SPECIFIED, TOLERANCE IS #  
 DECIMALS HOLES ANGLES DRAFT  
 XX .0005 .06 1000 .01 1° 1-1/2°

MATERIAL: ALL DIMENSIONS APPLY AFTER PLATING

UNITS IN [mm]

TITLE: SPEC. CONTROL DRAWING  
 VARIABLE TRANSFORMER  
 MODEL: 1510CT-2

STACO ENERGY PRODUCTS CO.  
 A COMPONENTS CORPORATION OF AMERICA COMPANY  
 DAYTON, OHIO U.S.A.

DRAWN BY S.A. SMITH DATE 2/5/99 FIRST USED ON 1510CT-2 DO NOT SCALE DWG. CUSTOMER APPROVAL DATE

CHECKER DATE WEIGHT APPROX. 35.25 LBS CODE IDENT. NO. 83008 DWG. NO. 031-3663

ENGINEER DATE SCALE .50=1 SHEET 1 OF 1 DWG. SIZE D