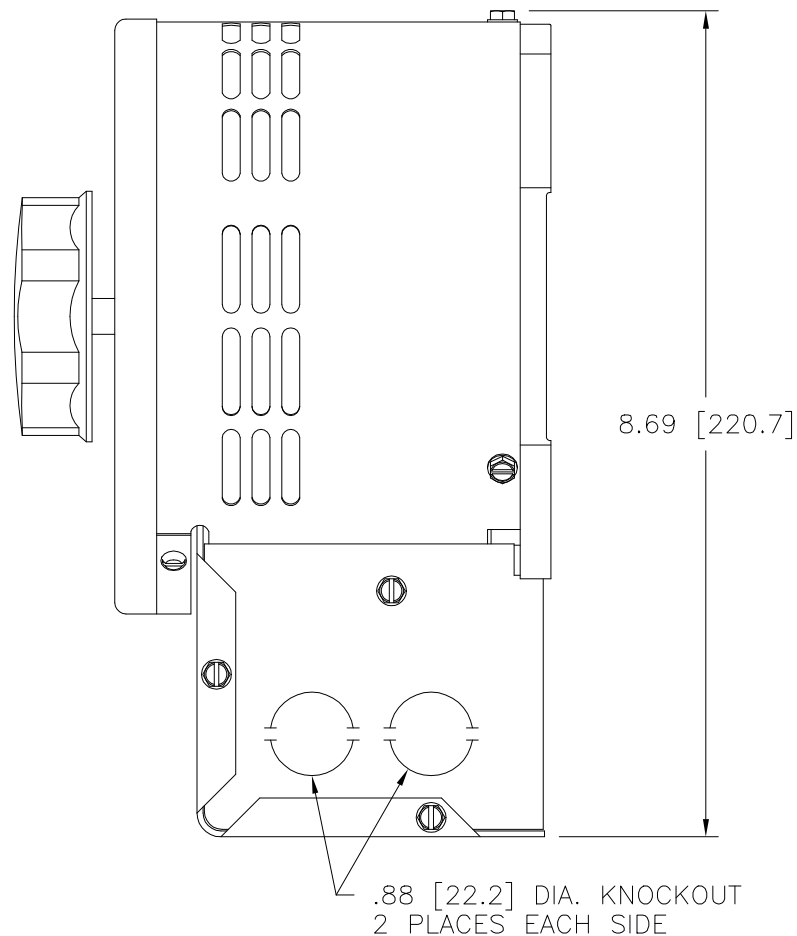
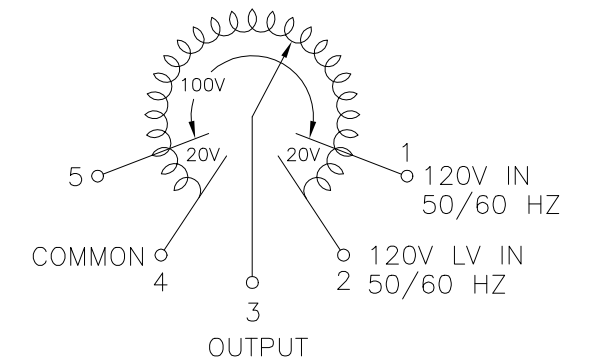


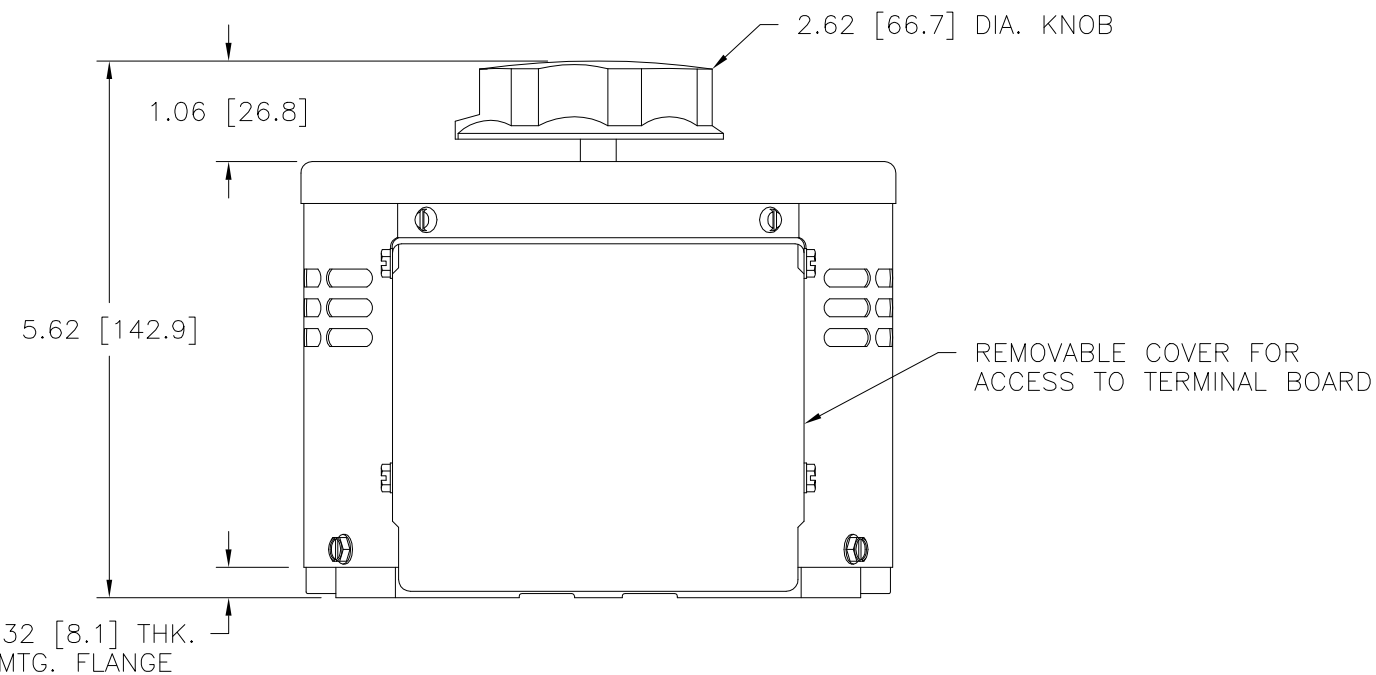
.34 [8.7] DIA. HOLE
 4 PLACES FOR
 CUSTOMER MOUNTING



NOTE:
 UNIT IS SUPPLIED WITH A 3.75 [95.2] DIA.
 0-100 GRADUATED DIAL PLATE FOR PANEL
 MOUNTING.



COIL SCHEMATIC
 AS VIEWED FROM BASE END
 FUSE RECOMMENDED BUT
 NOT SUPPLIED



SPECIFICATIONS											
WIRING	INPUT		OUTPUT				SHAFT ROTATION TO INCREASE VOLTAGE	TERMINAL CONNECTIONS			
	VOLTS	HERTZ	VOLTS	CONSTANT CURRENT LOAD MAX. AMPS	CONSTANT IMPEDANCE LOAD MAX. KVA	MAX. AMPS		MAX. KVA	FOR INCREASING VOLTAGE AS VIEWED FROM BASE END		
SINGLE PHASE	120	50/60	0-120	15	1.80	20	2.40	CW	2-4	---	4-3
			0-140	15	2.10	---	---	CCW	2-4	---	2-3
								CW	1-4	---	4-3
								CCW	5-2	---	2-3

UNLESS OTHERWISE SPECIFIED, TOLERANCE IS #
 DECIMALS HOLES ANGLES DRAFT
 .XX .0005 .01 1° 1-1/2°
 UNITS IN [mm]
 MATERIAL: ALL DIMENSIONS APPLY AFTER PLATING

TITLE: SPEC. CONTROL DRAWING
 VARIABLE TRANSFORMER
 MODEL: 1510CT

DRAWN BY S.A. SMITH DATE 11/15/96 FIRST USED ON 1510CT DO NOT SCALE DWG. CUSTOMER APPROVAL DATE
 CHECKER DATE WEIGHT APPROX. 16 LBS CODE IDENT. NO. 83008 DWG. NO. 031-3651
 ENGINEER DATE SCALE 1=1 SHEET 1 OF 1

STACO ENERGY PRODUCTS CO.
 A COMPONENTS CORPORATION OF AMERICA COMPANY
 DAYTON, OHIO U.S.A.