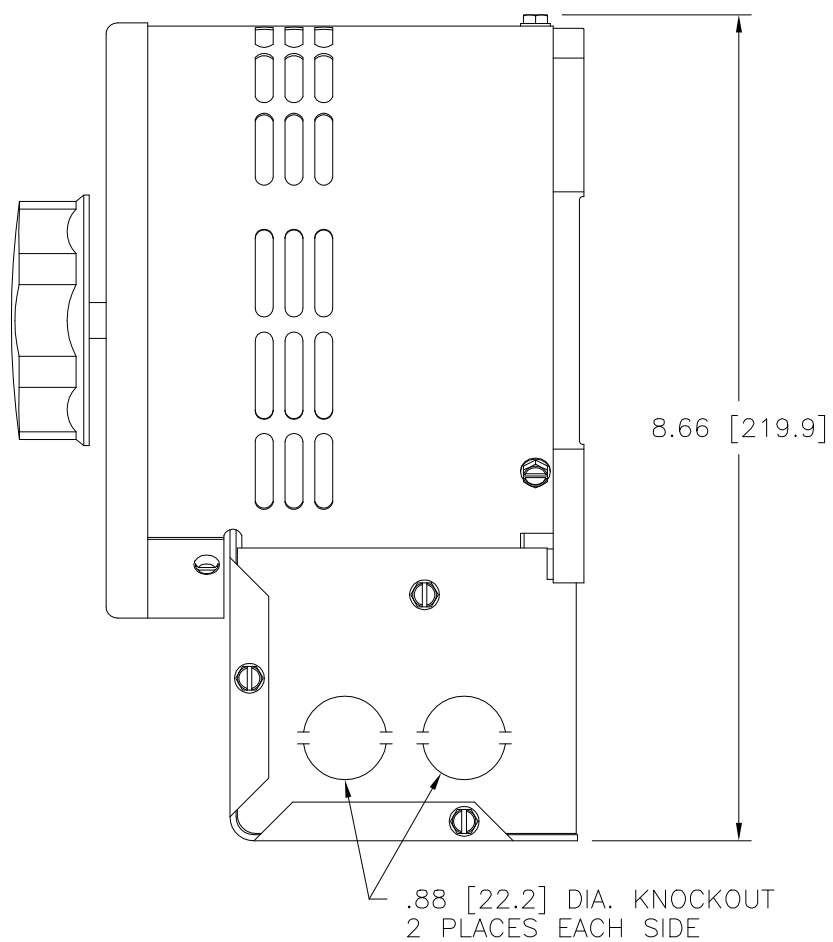


.34 [8.7] DIA. HOLE  
 4 PLACES FOR  
 CUSTOMER MOUNTING

NAMEPLATE



NOTE:  
 UNIT IS SUPPLIED WITH A 3.75 [95.2] DIA.  
 0-100 GRADUATED DIAL PLATE FOR PANEL  
 MOUNTING.

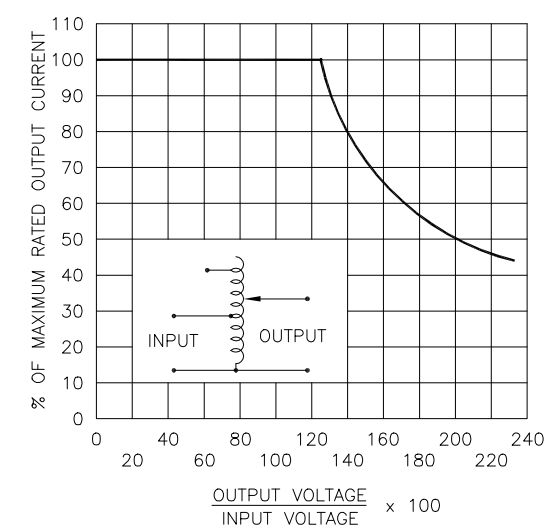
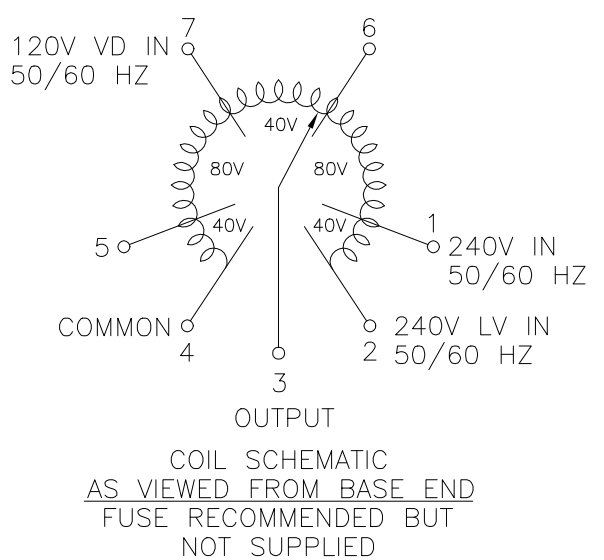
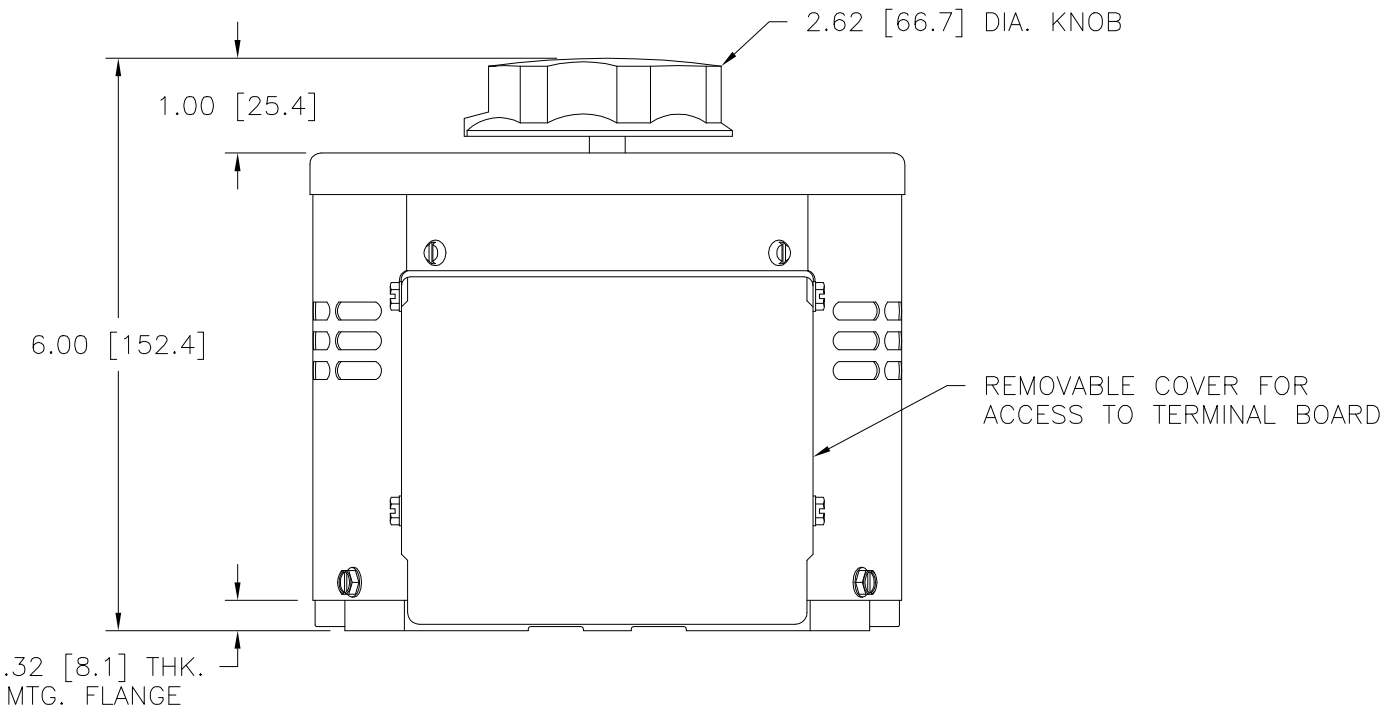


FIGURE A  
 MAXIMUM OUTPUT CURRENT OF ANY  
 DUAL INPUT VOLTAGE OR VOLTAGE DOUBLER  
 UNIT OPERATED AT LOWER INPUT VOLTAGE.

# MAXIMUM OUTPUT CURRENT IN OUTPUT VOLTAGE RANGE FROM 0 TO 25% ABOVE LINE VOLTAGE. AT HIGHER OUTPUT VOLTAGES, THE OUTPUT CURRENT MUST BE REDUCED ACCORDING TO THE DERATING CURVE FIGURE A.

§ MAXIMUM KVA AT MAXIMUM OUTPUT VOLTAGE AND CORRESPONDING DERATED OUTPUT CURRENT. MAXIMUM KVA FOR LOWER VOLTAGES MAY BE CALCULATED FROM DERATING CURVE FIGURE A.



SPECIFICATIONS										
WIRING	INPUT		OUTPUT				SHAFT ROTATION TO INCREASE VOLTAGE	TERMINAL CONNECTIONS		
	VOLTS	HERTZ	VOLTS	CONSTANT CURRENT LOAD	CONSTANT IMPEDANCE LOAD	FOR INCREASING VOLTAGE AS VIEWED FROM BASE END		INPUT	JUMPER	OUTPUT
SINGLE PHASE	240	50/60	0-240	9.5	2.28	12	2.88	CW	2-4	4-3
			0-280	9.5	2.66	—	—	CCW	2-4	2-3
	120	50/60	0-280	9.5#	1.14§	—	—	CW	1-4	4-3
			0-280	9.5#	1.14§	—	—	CCW	5-2	2-3