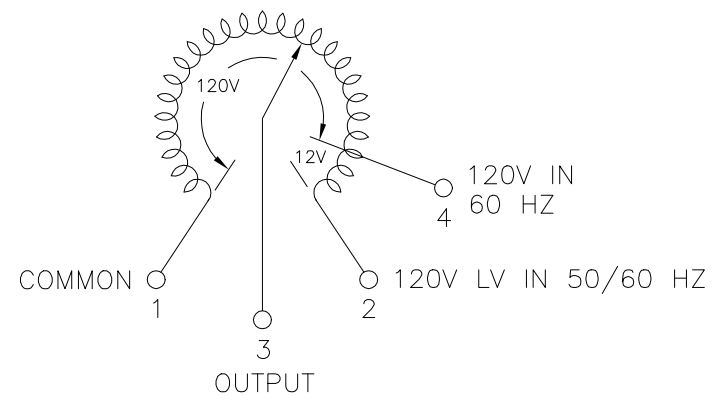
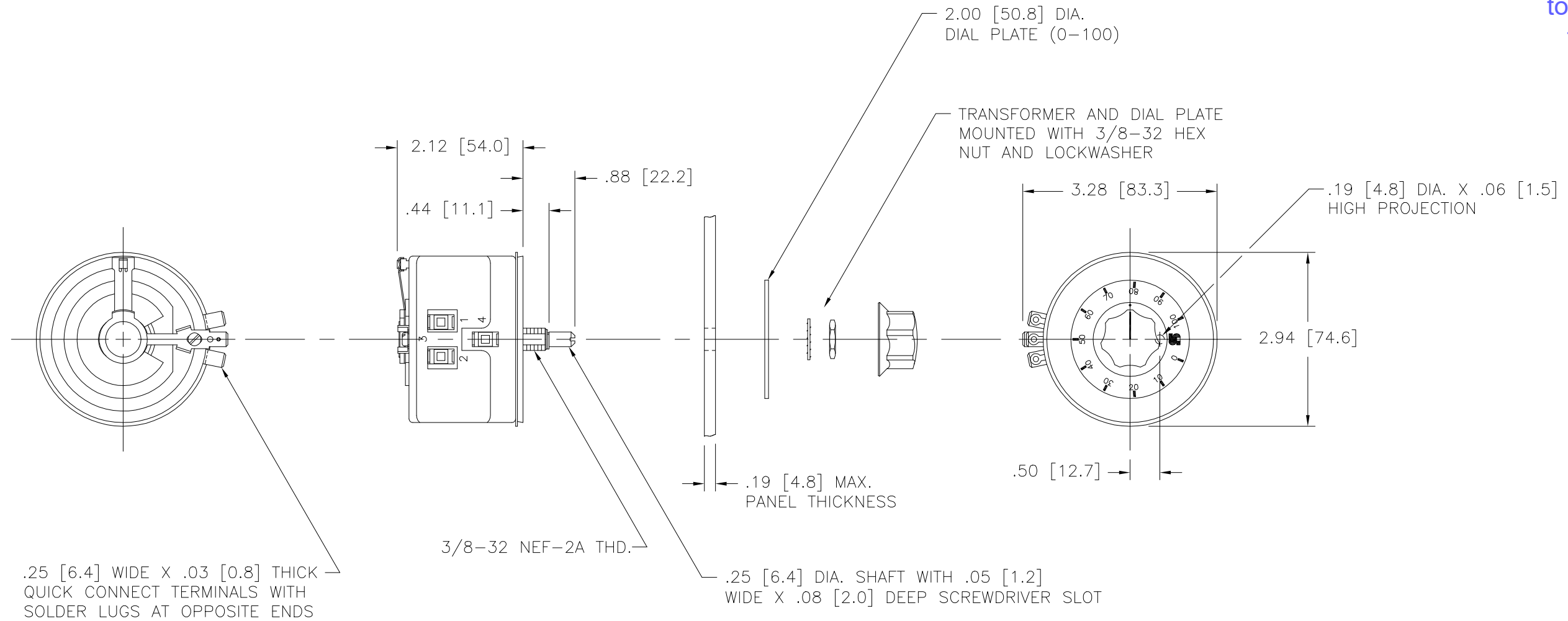
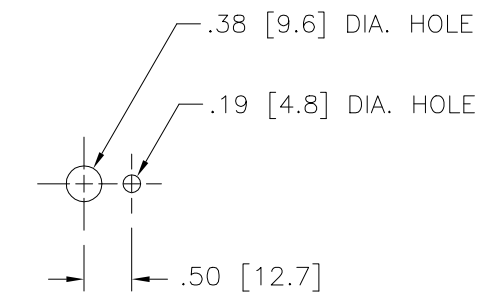


DWG. NO.	031-0155		
REVISIONS			
SYM.	E.C.N.	DATE	APVD.
B	24746	1/24/02	REMOVED BAR KNOB

Go to VARIAC.com
to purchase and for
technical support.
Made in the USA



SCHEMATIC
VIEWED FROM BASE END



PANEL MTG. DETAIL

SPECIFICATIONS											
WIRING	INPUT		OUTPUT				SHAFT ROTATION TO INCREASE VOLTAGE	TERMINAL CONNECTIONS			
	VOLTS	HERTZ	VOLTS	CONSTANT CURRENT LOAD		CONSTANT IMPEDANCE LOAD		FOR INCREASING VOLTAGE AS VIEWED FROM BASE END			
				MAX. AMPS	MAX. KVA	MAX. AMPS		MAX. KVA	INPUT	JUMPER	OUTPUT
SINGLE PHASE	120	50/60	0-120	2.5	0.30	3.2	0.38	CW	1-2	---	1-3
		60	0-132	2.5	0.33	---	---	CCW	1-2	---	2-3
									CW	1-4	---

UNLESS OTHERWISE SPECIFIED, TOLERANCE IS ±
DECIMALS .005
HOLES .002
ANGLES 1°
DRAFT 1-1/2°

MATERIAL: ALL DIMENSIONS APPLY AFTER PLATING

UNLESS OTHERWISE SPECIFIED, TOLERANCE IS ±
DECIMALS .005
HOLES .002
ANGLES 1°
DRAFT 1-1/2°

TITLE: SPEC. CONTROL DRAWING
VARIABLE TRANSFORMER
MODEL 221-B

DRAWN BY: S.A. SMITH
DATE: 1/24/02
FIRST USED ON: DO NOT SCALE DWG.
CHECKER: SAS
DATE: 1/25/02
WEIGHT APPROX.: CAGE CODE: 83008
ENGINEER: SAS
DATE: 1/25/02
SCALE: 1/1
SHEET 1 OF 1



DWG. NO. 031-0155