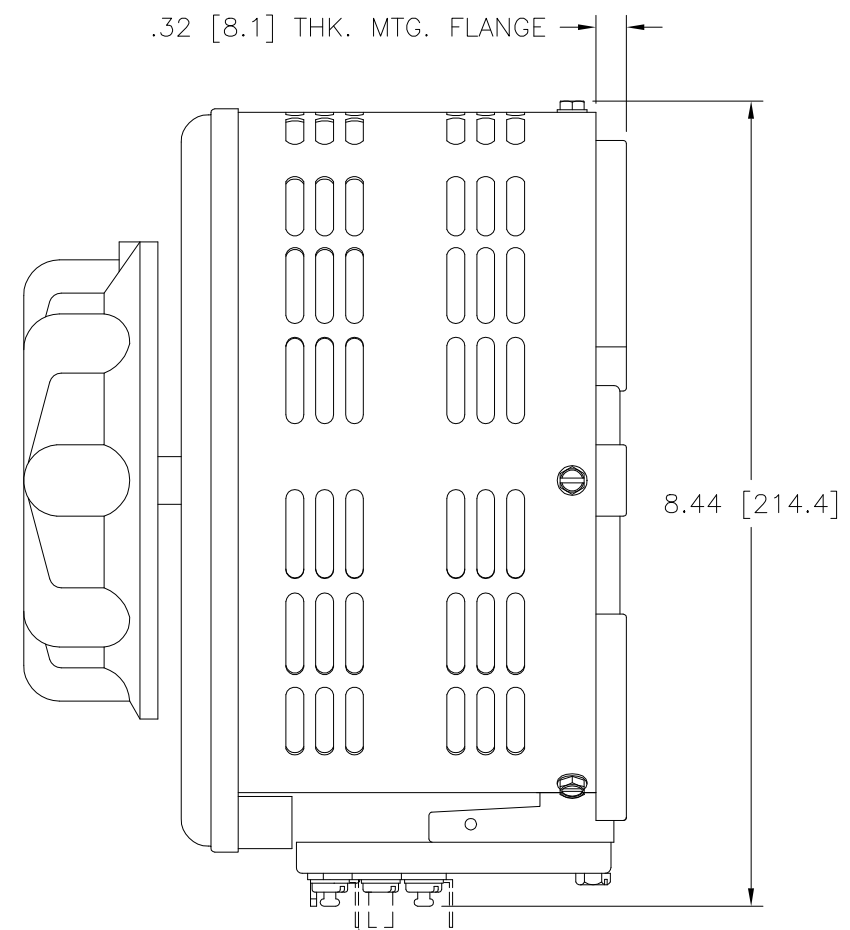


SCHEMATIC
 VIEW FROM BASE END
 FUSE RECOMMENDED BUT NOT SUPPLIED



Go to VARIAC.com to purchase and for technical support. Made in the USA

NOTE:
 UNIT IS SUPPLIED WITH A 7.00 [177.8] DIA. 0-100 GRADUATED DIAL PLATE FOR PANEL MOUNTING.

SPECIFICATIONS										
WIRING	INPUT		OUTPUT				SHAFT ROTATION TO INCREASE VOLTAGE	TERMINAL CONNECTIONS		
	VOLTS	HERTZ	VOLTS	CONSTANT CURRENT LOAD	CONSTANT IMPEDANCE LOAD	FOR INCREASING VOLTAGE AS VIEWED FROM BASE END		INPUT	JUMPER	OUTPUT
SINGLE PHASE	120	50/60	0-120	25	3.00	30	3.6	CW	2-4	4-3
			0-140	25	3.50	—	—	CCW	2-4	2-3
				—	—	—	—	CW	1-4	4-3
				—	—	—	—	CCW	2-5	2-3

UNLESS OTHERWISE SPECIFIED, TOLERANCE IS #	UNITS	TITLE:			
DECIMALS .06	IN [mm]	SPEC. CONTROL DRAWING			
Holes .01		VARIABLE TRANSFORMER			
ANGLES 1°		TYPE: 2510C			
DRAFT 1-1/2°					
MATERIAL:	ALL DIMENSIONS APPLY AFTER PLATING				
The information and design disclosed herein was originated by and is the property of STACO ENERGY PRODUCTS CO., which reserves all patent, proprietary, design, manufacturing, reproduction, use and sale rights thereto, and to any article disclosed therein except to the extent rights are expressly granted to others. The foregoing does not apply to vendor proprietary parts.	DRAWN BY TIM RAU CHECKER ENGINEER	DATE 6/9/99 DATE DATE	FIRST USED ON DO NOT SCALE DWG. WEIGHT APPROX. 21 LBS. SCALE 1=1	CUSTOMER APPROVAL DATE	DWG. NO. 031-5006 SHEET 1 OF 1