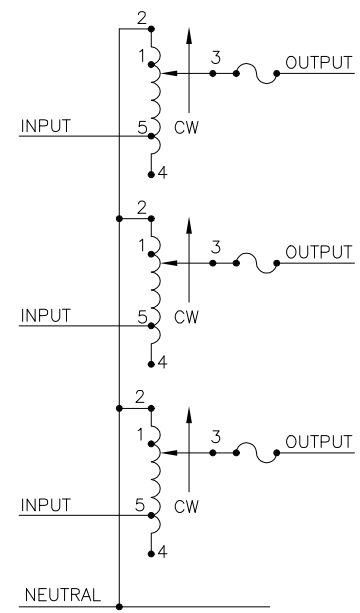
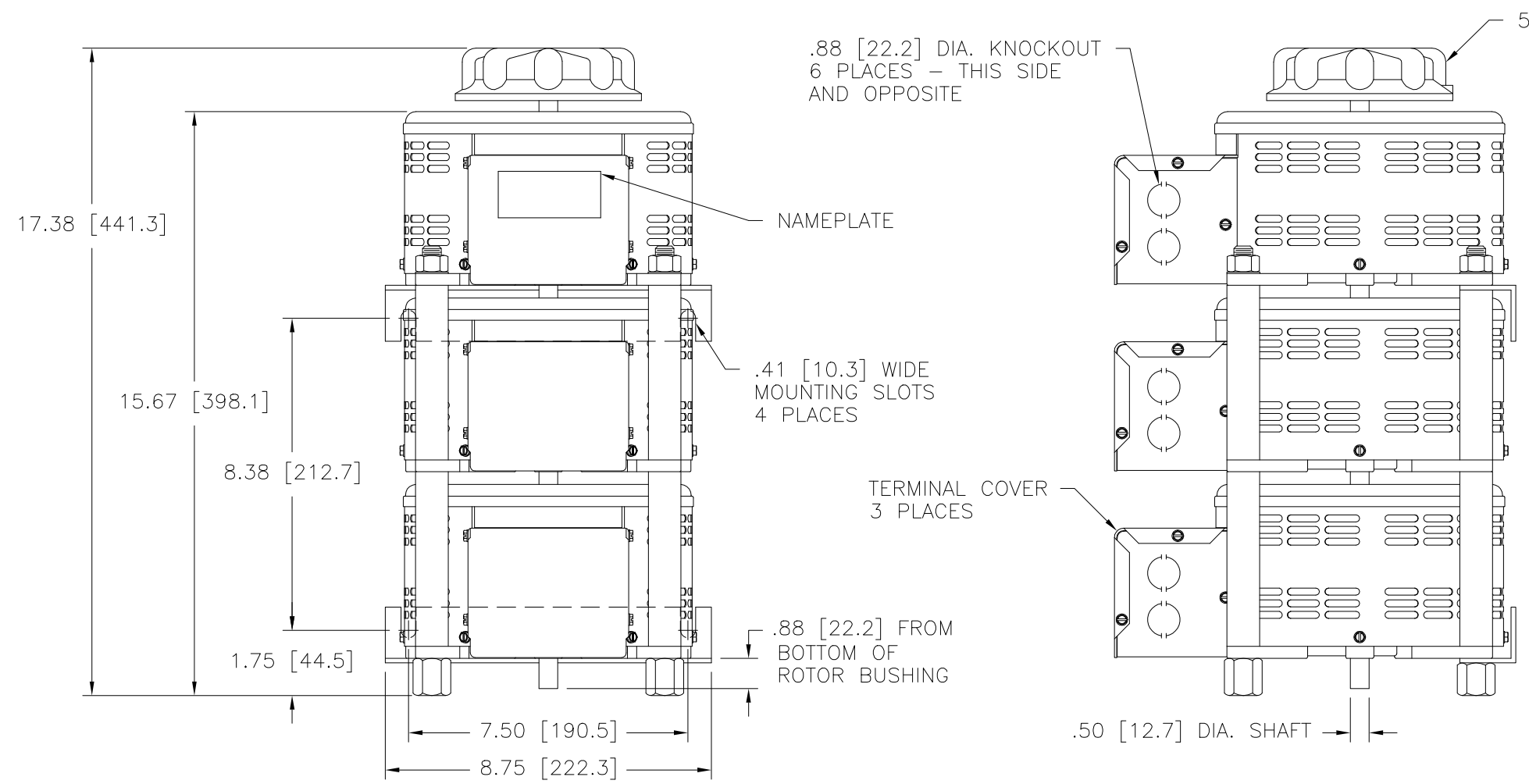
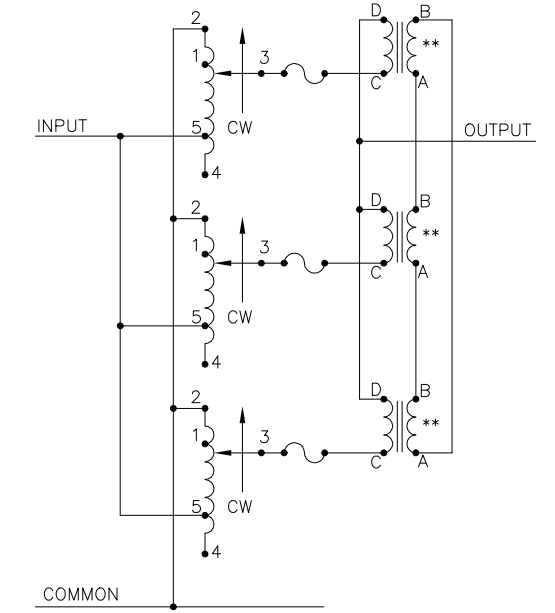


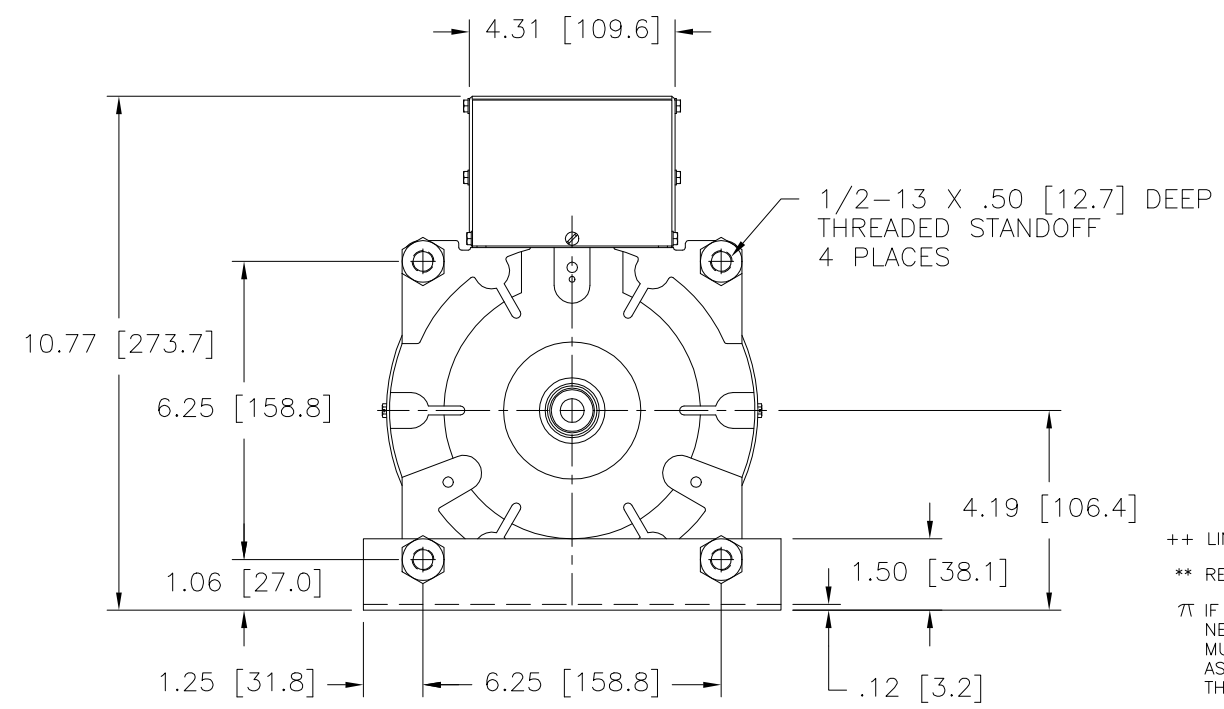
Go to [VARIAC.com](http://VARIAC.com)  
 to purchase and for  
 technical support.  
 Made in the USA



SCHEMATIC  
 THREE PHASE WYE  
 FUSES RECOMMENDED BUT NOT SUPPLIED



SCHEMATIC  
 SINGLE PHASE PARALLEL  
 FUSES RECOMMENDED BUT NOT SUPPLIED



++ LINE TO LINE VOLTAGE.  
 \*\* REQUIRES THREE 51LAC PARALLELING CHOKES (NOT SUPPLIED).  
 π IF GANGED UNITS ARE USED IN A SYSTEM THAT ORDINARILY HAS A COMMON NEUTRAL OR GROUND BETWEEN SOURCE AND LOAD, THE NEUTRAL OR GROUND MUST BE CONNECTED TO THE COMMON TERMINALS OF THE VARIABLE TRANSFORMER ASSEMBLY. IF THE SYSTEM HAS NO NEUTRAL, THE LOAD MUST BE BALANCED OR THE TRANSFORMER WILL BE DAMAGED.  
 ■ JUMPER PROVIDED IN STANDARD COMMON POSITION AND SHOULD BE MOVED OR REMOVED AS REQUIRED.

NOTE:  
 UNIT IS SUPPLIED WITH A 7.00 [177.8] DIA.  
 0-100 GRADUATED DIAL PLATE FOR PANEL MOUNTING.

SPECIFICATIONS										
WIRING	INPUT		OUTPUT				SHAFT ROTATION TO INCREASE VOLTAGE	TERMINAL CONNECTIONS		
	VOLTS	HERTZ	VOLTS	CONSTANT CURRENT LOAD MAX. AMPS	CONSTANT IMPEDANCE LOAD MAX. KVA	MAX. AMPS		MAX. KVA	FOR INCREASING VOLTAGE AS VIEWED FROM BASE END ■	
SINGLE PHASE PARALLEL **	120	50/60	0-120	75	9.00	90	10.8	CW	2-2-2, 4-4-4	4-D
			0-140	75	10.50	—	—	CCW	2-2-2, 4-4-4	2-D
	240	50/60	0-240	25	10.40	30	12.5	CW	1-1-1, 4-4-4	4-D
			0-280	25	12.10	—	—	CCW	5-5-5, 2-2-2	2-D
THREE PHASE WYE π	240	50/60	0-240	25	10.40	30	12.5	CW	2-2-2	4-4-4 3-3-3
			0-280	25	12.10	—	—	CCW	4-4-4	2-2-2 3-3-3
			0-280	25	12.10	—	—	CCW	1-1-1	4-4-4 3-3-3
								CCW	5-5-5	2-2-2 3-3-3

UNLESS OTHERWISE SPECIFIED, TOLERANCE IS ± DECIMALS .XX .XXX .005 HOLES .01 .002 ANGLES 1° DRAFT 1-1/2° UNITS IN [mm]

MATERIAL: ALL DIMENSIONS APPLY AFTER PLATING

TITLE: SPEC. CONTROL DRAWING VARIABLE TRANSFORMER MODEL: 2510CT-3

STACO ENERGY PRODUCTS CO. A COMPONENTS CORPORATION OF AMERICA COMPANY DAYTON, OHIO U.S.A.

DRAWN BY S.A. SMITH DATE 1/3/2001 FIRST USED ON DATE DO NOT SCALE DWG. CUSTOMER APPROVAL DATE

CHECKER DATE WEIGHT APPROX. 68 LBS CODE IDENT. NO. 83008 DWG. NO. 031-5025

ENGINEER DATE SCALE 1/2 SHEET 1 OF 1