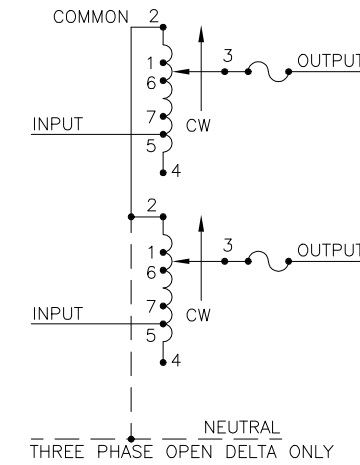
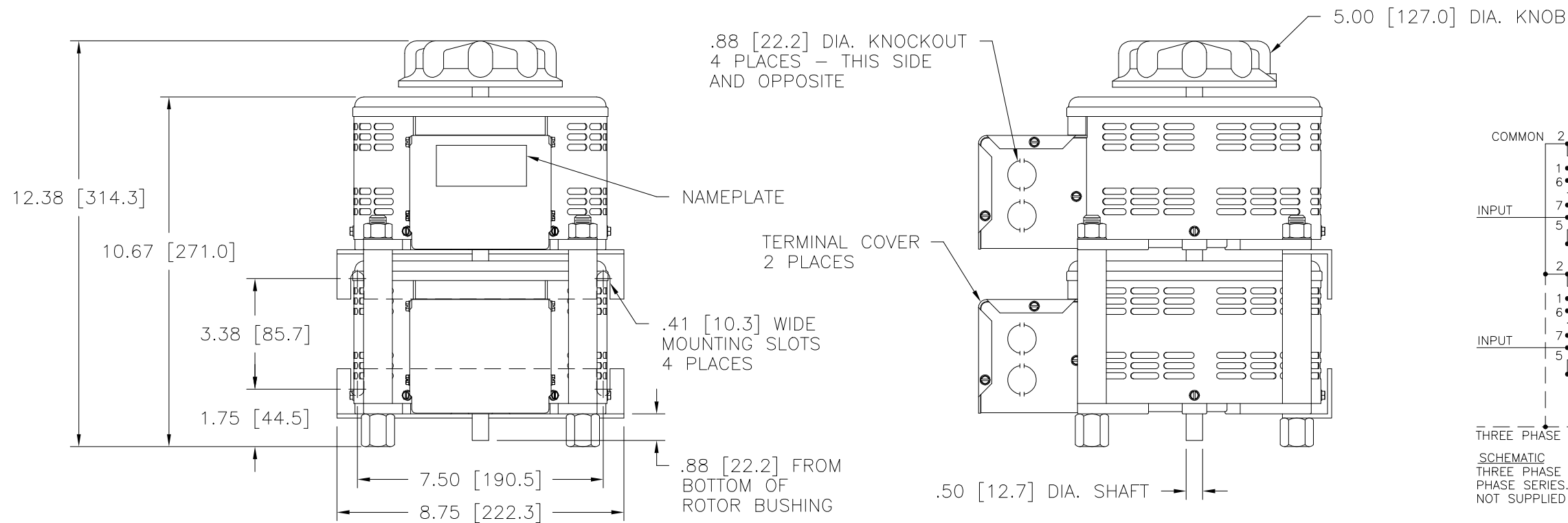
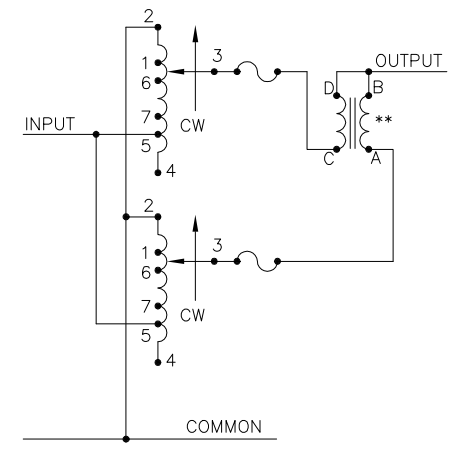


Go to [VARIAC.com](http://VARIAC.com)  
 to purchase and for  
 technical support.  
 Made in the USA

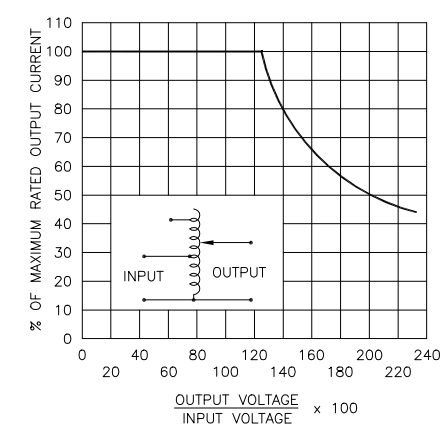
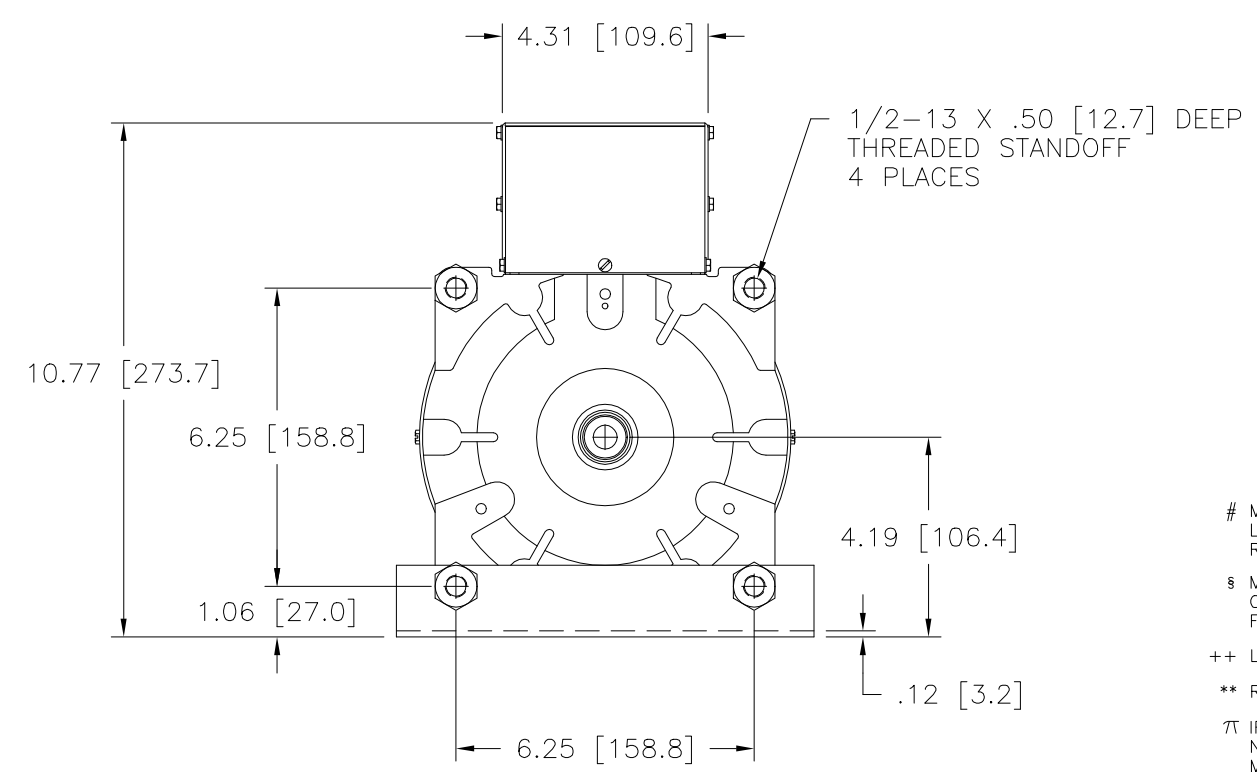


SCHEMATIC  
 THREE PHASE OPEN DELTA AND SINGLE  
 PHASE SERIES. FUSE RECOMMENDED BUT  
 NOT SUPPLIED



SCHEMATIC  
 SINGLE PHASE PARALLEL  
 FUSE RECOMMENDED BUT NOT SUPPLIED

NOTE:  
 UNIT IS SUPPLIED WITH A 7.00 [177.8] DIA.  
 0-100 GRADUATED DIAL PLATE FOR PANEL MOUNTING.



# MAXIMUM OUTPUT CURRENT IN OUTPUT VOLTAGE RANGE FROM 0 TO 25% ABOVE  
 LINE VOLTAGE. AT HIGHER OUTPUT VOLTAGES, THE OUTPUT CURRENT MUST BE  
 REDUCED ACCORDING TO THE DERATING CURVE FIGURE A.  
 § MAXIMUM KVA AT MAXIMUM OUTPUT VOLTAGE AND CORRESPONDING DERATED  
 OUTPUT CURRENT. MAXIMUM KVA FOR LOWER VOLTAGES MAY BE CALCULATED  
 FROM DERATING CURVE FIGURE A.  
 ++ LINE TO LINE VOLTAGE.  
 \*\* REQUIRES ONE 52LAC PARALLELING CHOKE (NOT SUPPLIED).  
 ¶ IF GANGED UNITS ARE USED IN A SYSTEM THAT ORDINARILY HAS A COMMON  
 NEUTRAL OR GROUND BETWEEN SOURCE AND LOAD, THE NEUTRAL OR GROUND  
 MUST BE CONNECTED TO THE COMMON TERMINALS OF THE VARIABLE TRANSFORMER  
 ASSEMBLY. IF THE SYSTEM HAS NO NEUTRAL, THE LOAD MUST BE BALANCED OR  
 THE TRANSFORMER WILL BE DAMAGED.  
 ■ JUMPER PROVIDED IN STANDARD COMMON POSITION AND SHOULD BE MOVED OR  
 REMOVED AS REQUIRED.

SPECIFICATIONS										
WIRING	INPUT		OUTPUT				SHAFT ROTATION TO INCREASE VOLTAGE	TERMINAL CONNECTIONS		
	VOLTS	HERTZ	VOLTS	CONSTANT CURRENT LOAD	CONSTANT IMPEDANCE LOAD	FOR INCREASING VOLTAGE AS VIEWED FROM BASE END ■		INPUT	JUMPER	OUTPUT
				MAX. AMPS	MAX. KVA	MAX. AMPS	MAX. KVA			
SINGLE PHASE PARALLEL **	240	50/60	0-240	20	4.80	26	6.20	CW	2-2,4-4	4-B
			0-280	20	5.60	—	—	CCW	2-2,4-4	2-B
	120	50/60	0-280	20#	2.40 §	—	—	CW	1-1,4-4	4-B
			0-280	20#	2.40 §	—	—	CCW	5-5,2-2	2-B
SINGLE PHASE SERIES	480	50/60	0-480	10	4.80	13	6.24	CW	2-2	4-4 3-3
			0-560	10	5.60	—	—	CCW	4-4	2-2 3-3
	240	50/60	0-560	10#	2.40 §	—	—	CW	1-1	4-4 3-3
			0-560	10#	2.40 §	—	—	CCW	5-5	2-2 3-3
THREE PHASE OPEN DELTA ¶	240	50/60	0-240	10	4.20	13	5.40	CW	2-4-2	4-4 3-4-3
			0-280	10	4.85	—	—	CCW	4-2-4	2-2 3-2-3
	120	50/60	0-280	10#	2.10 §	—	—	CW	1-4-1	4-4 3-4-3
			0-280	10#	2.10 §	—	—	CCW	5-2-5	2-2 3-2-3

UNLESS OTHERWISE SPECIFIED, TOLERANCE IS #  
 DECIMALS HOLES ANGLES DRAFT  
 .XX .0000 .06 .0000 .01 1° 1-1/2°  
 MATERIAL: ALL DIMENSIONS APPLY AFTER PLATING

UNITS  
 IN [mm]

TITLE: SPEC. CONTROL DRAWING  
 VARIABLE TRANSFORMER  
 MODEL: 2520CT-2

STACO ENERGY PRODUCTS CO.  
 A COMPONENTS CORPORATION OF AMERICA COMPANY  
 DAYTON, OHIO U.S.A.

DRAWN BY: S.A. SMITH DATE: 12/18/98 FIRST USED ON: DO NOT SCALE DWG. CUSTOMER APPROVAL: DATE:  
 CHECKER: DATE: WEIGHT APPROX. 50 LBS. CODE IDENT. NO. 83008 DWG. NO. 031-5513  
 ENGINEER: DATE: SCALE .50=1 SHEET 1 OF 1