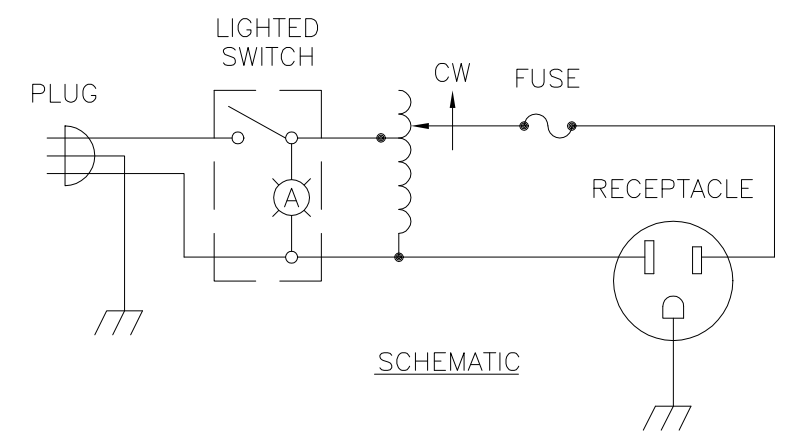
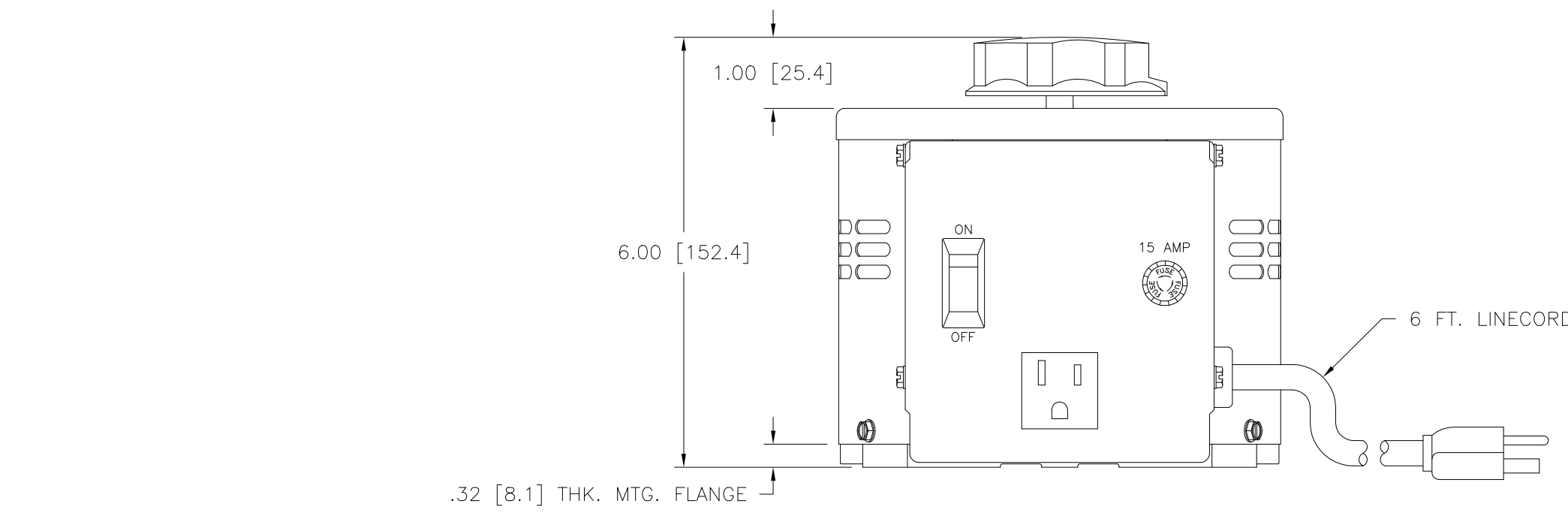
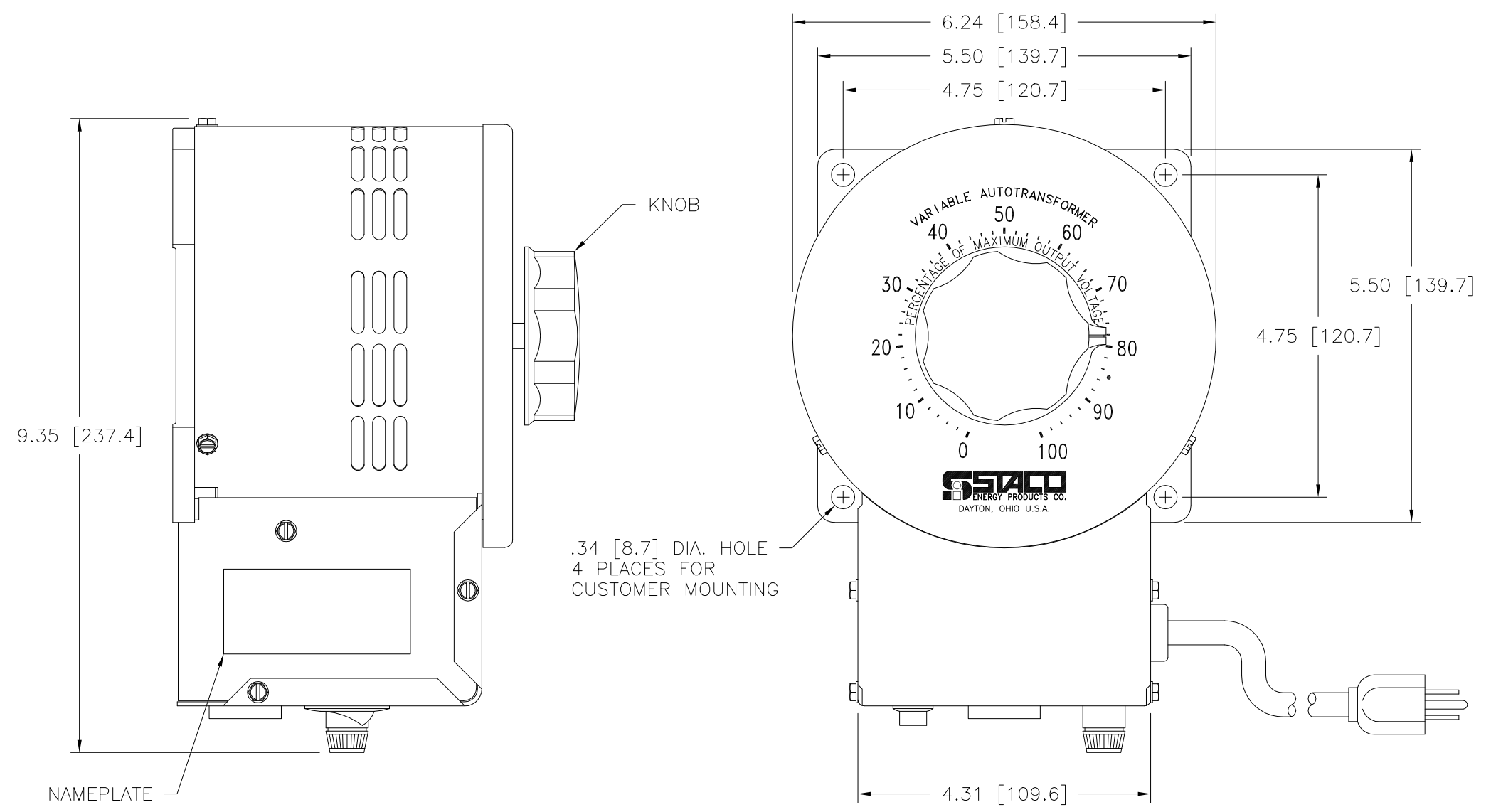


Go to VARIAC.com
to purchase and for
technical support.
Made in the USA



SPECIFICATIONS					
WIRING	INPUT		OUTPUT		
	VOLTS	HERTZ	VOLTS	CONSTANT CURRENT LOAD	
SINGLE PHASE	120	50/60	0-140	MAX. AMPS	MAX. KVA
				15	2.10

UNLESS OTHERWISE SPECIFIED, TOLERANCE IS #		UNITS		TITLE: SPEC. CONTROL DRAWING		DRAWN BY		DATE		FIRST USED ON		DO NOT SCALE DWG.		CUSTOMER APPROVAL		DATE			
DECIMALS	Holes	ANGLES	DRAFT	IN	MM	S.A. SMITH		5/17/96		3PN1510B									
.XX	.0000	.01	1°	1-1/2°		CHECKER				WEIGHT APPROX.		CODE IDENT. NO.		DWG. NO.		DWG. NO.			
.XXX	.005					ENGINEER				18 LBS		83008		D		031-3645			
MATERIAL: ALL DIMENSIONS APPLY AFTER PLATING												SCALE		SHEET		OF			
The information and design disclosed herein was originated by and is the property of STACO ENERGY PRODUCTS CO., which reserves all patent, proprietary, design, manufacturing, reproduction, use and sale rights thereto, and to any article disclosed therein except to the extent rights are expressly granted to others. The foregoing does not apply to vendor proprietary parts.												1=1		1					

