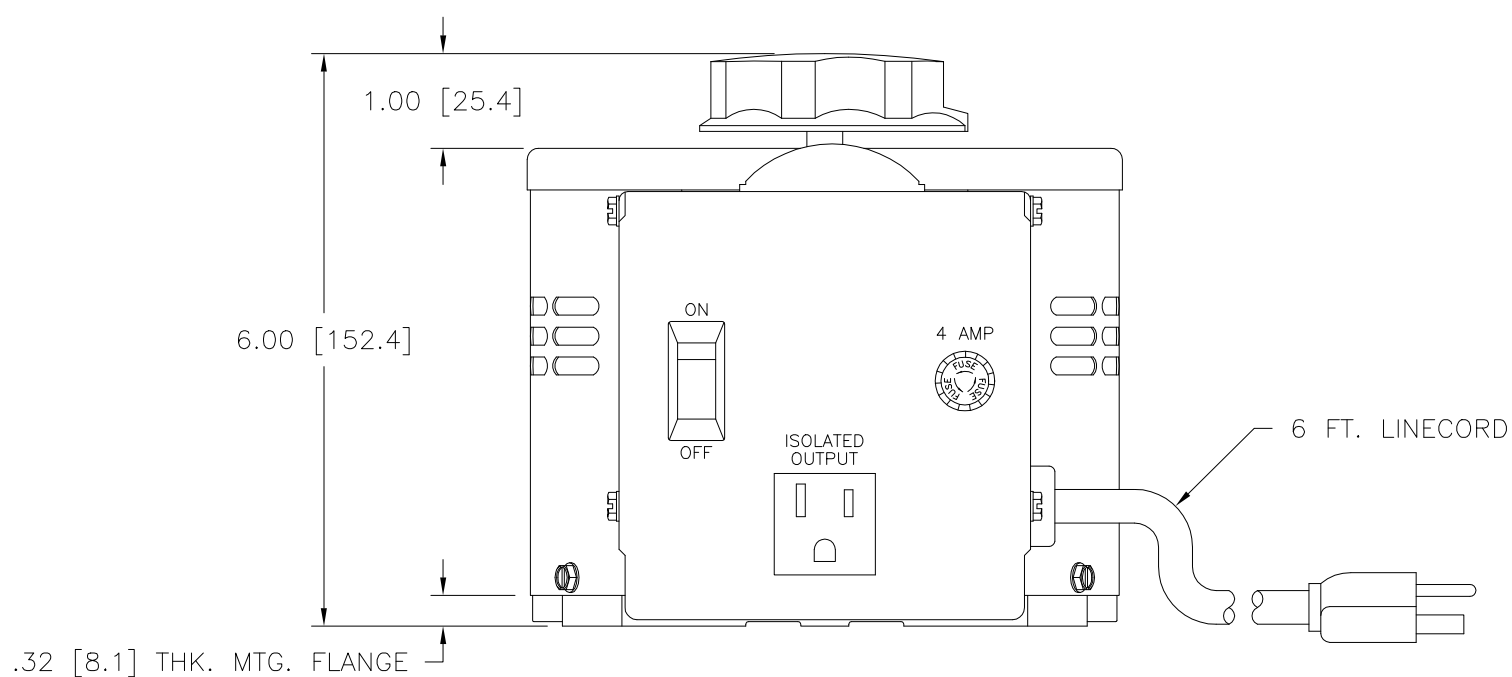
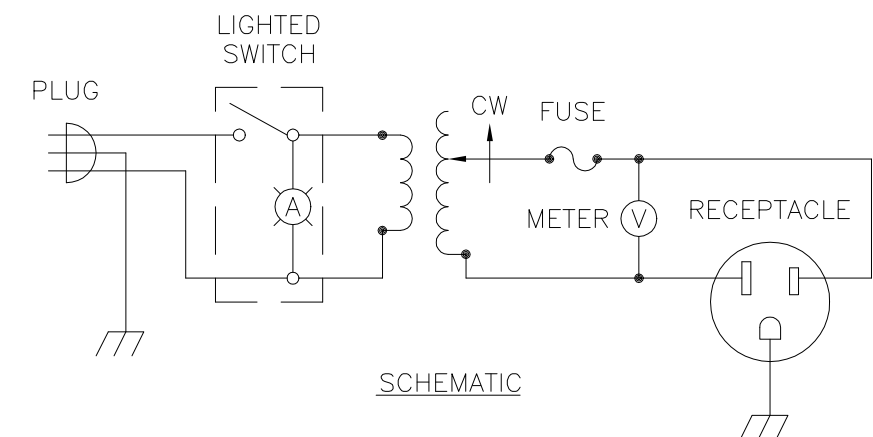
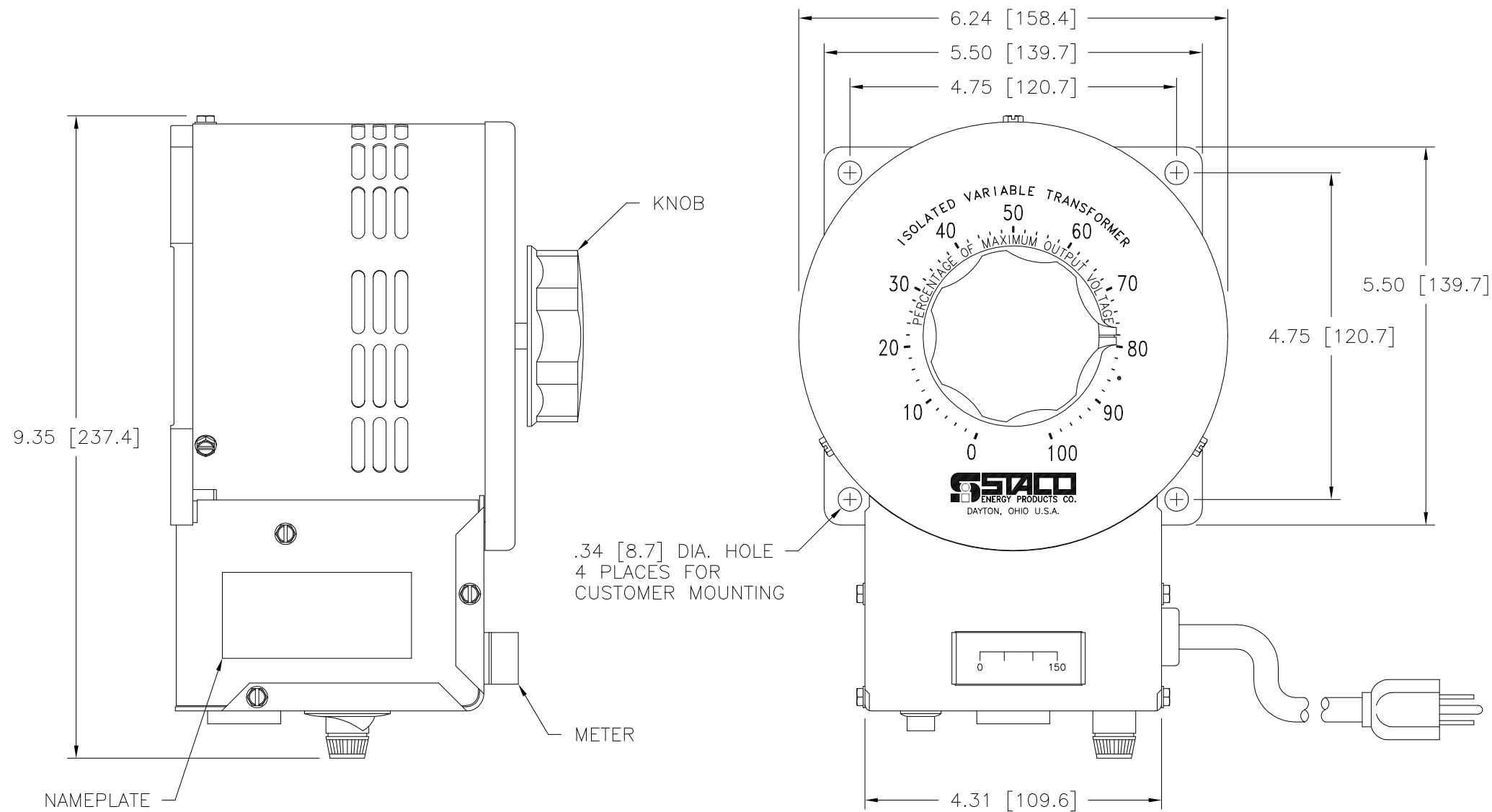


Go to [VARIAC.com](http://VARIAC.com)  
 to purchase and for  
 technical support.  
 Made in the USA



SPECIFICATIONS					
WIRING	INPUT		OUTPUT		
	VOLTS	HERTZ	VOLTS	CONSTANT CURRENT LOAD	
				MAX. AMPS	MAX. KVA
SINGLE PHASE	120	50/60	0-140	4	0.56

UNLESS OTHERWISE SPECIFIED, TOLERANCE IS # DECIMALS .XX .0005 .06 .01 .1° 1° 1-1/2° UNITS IN [mm]

MATERIAL: ALL DIMENSIONS APPLY AFTER PLATING

THE INFORMATION AND DESIGN DISCLOSED HEREIN WAS ORIGINATED BY AND IS THE PROPERTY OF STACO ENERGY PRODUCTS CO., WHICH RESERVES ALL PATENT, PROPRIETARY, DESIGN, MANUFACTURING, REPRODUCTION, USE AND SALE RIGHTS THEREIN, AND TO ANY ARTICLE DISCLOSED THEREIN EXCEPT TO THE EXTENT RIGHTS ARE EXPRESSLY GRANTED TO OTHERS. THE FOREGOING DOES NOT APPLY TO VENDOR PROPRIETARY PARTS.

TITLE: SPEC. CONTROL DRAWING VARIABLE TRANSFORMER MODEL: 3PNJ401BV

STACO ENERGY PRODUCTS CO. A COMPONENTS CORPORATION OF AMERICA COMPANY DAYTON, OHIO U.S.A.

DRAWN BY	DATE	FIRST USED ON	DO NOT SCALE DWG.	CUSTOMER APPROVAL	DATE
S.A. SMITH	6/4/96	3PNJ401BV			
CHECKER	DATE	WEIGHT APPROX.	CODE IDENT. NO.	DWG. SIZE	DWG. NO.
		21 LBS	83008	D	031-8876
ENGINEER	DATE	SCALE	SHEET 1 OF 1		
		1=1			