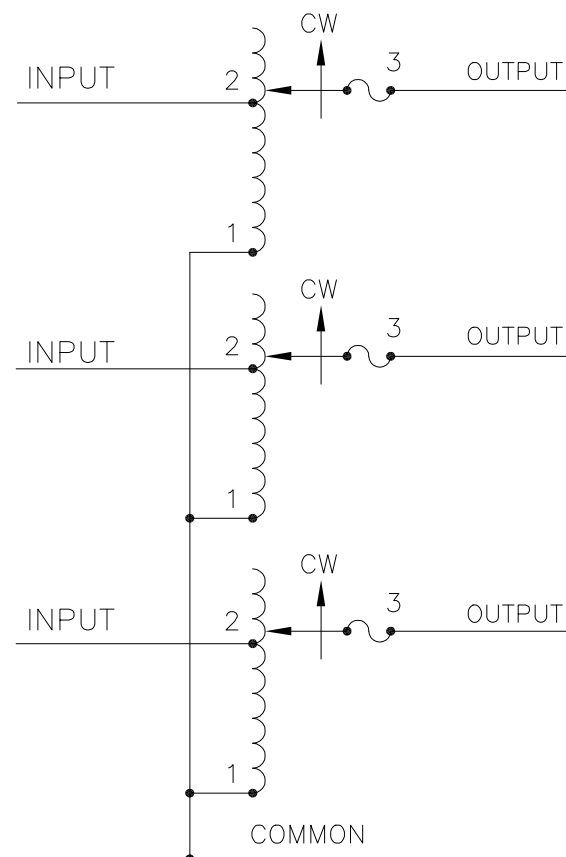


Go to VARIAC.com to purchase and for technical support. Made in the USA



SPECIFICATIONS									
WIRING	INPUT		OUTPUT			SHAFT ROTATION TO INCREASE VOLTAGE	TERMINAL CONNECTIONS		
	VOLTS	HERTZ	VOLTS	MAX. AMPS	MAX. KVA		FOR INCREASING VOLTAGE AS VIEWED FROM ROTOR END		
THREE PHASE WYE	240	60	0-280	50	24.2	CW	INPUT	JUMPER	OUTPUT
							2-2-2	—	3-3-3

UNLESS OTHERWISE SPECIFIED, TOLERANCE IS #	DECIMALS	Holes	ANGLES	DRAFT	UNITS	TITLE:
.XX	+.004	.002	1°	1-1/2°	IN [mm]	SPEC. CONTROL DRAWING
XXX	.005					VARIABLE TRANSFORMER
						TYPE: 5011C-3Y
MATERIAL:						STACO ENERGY PRODUCTS CO. A COMPONENTS CORPORATION OF AMERICA COMPANY DAYTON, OHIO U.S.A.
						ALL DIMENSIONS APPLY AFTER PLATING
DRAWN BY		DATE	FIRST USED ON	DO NOT SCALE DWG.	CUSTOMER APPROVAL	
TIM RAU		5/3/00				
CHECKER	DATE	WEIGHT APPROX.	CODE IDENT. NO.	DWG. SIZE	DWG. NO.	
			83008	D	031-6743	
ENGINEER	DATE	SCALE	SHEET 1 OF 1			
		.50=1				

The information and design disclosed herein was originated by and is the property of STACO ENERGY PRODUCTS CO., which reserves all patent, proprietary, design, manufacturing, reproduction, use and sale rights thereto, and to any article disclosed therein except to the extent rights are expressly granted to others. The foregoing does not apply to vendor proprietary parts.