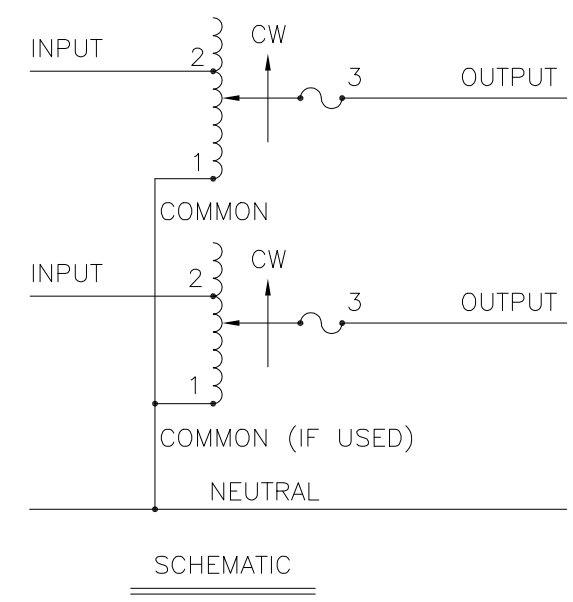


Go to VARIAC.com
 to purchase and for
 technical support.
 Made in the USA



SPECIFICATIONS								
WIRING	INPUT		OUTPUT			SHAFT ROTATION TO INCREASE VOLTAGE	TERMINAL CONNECTIONS	
	VOLTS	HERTZ	VOLTS	MAX. AMPS	MAX. KVA		FOR INCREASING VOLTAGE AS VIEWED FROM ROTOR END	
							INPUT	OUTPUT
THREE PHASE OPEN DELTA	120	50/60	0-140	50	12.1	CW	2-1-2	3-1-3

UNLESS OTHERWISE SPECIFIED, TOLERANCE IS #		UNITS		TITLE:	
DECIMALS	Holes	ANGLES	DRAFT	IN [mm]	
.XX	.004	.002	1°	1-1/2°	
MATERIAL:		ALL DIMENSIONS APPLY AFTER PLATING		SPEC. CONTROL DWG. VARIABLE TRANSFORMER TYPE: 5011CT-2D	
DRAWN BY		DATE	FIRST USED ON	DO NOT SCALE DWG.	CUSTOMER APPROVAL
RAU		4/27/00			
CHECKER	DATE	WEIGHT APPROX.	CODE IDENT. NO.	DWG. NO.	
		134 LBS.	83008	031-6016	
ENGINEER	DATE	SCALE	SHEET	OF	
		.5=1	1	1	



The information and design disclosed herein was originated by and is the property of STACO ENERGY PRODUCTS CO., which reserves all patent, proprietary, design, manufacturing, reproduction, use and sale rights thereto, and to any article disclosed therein except to the extent rights are expressly granted to others. The foregoing does not apply to vendor proprietary parts.