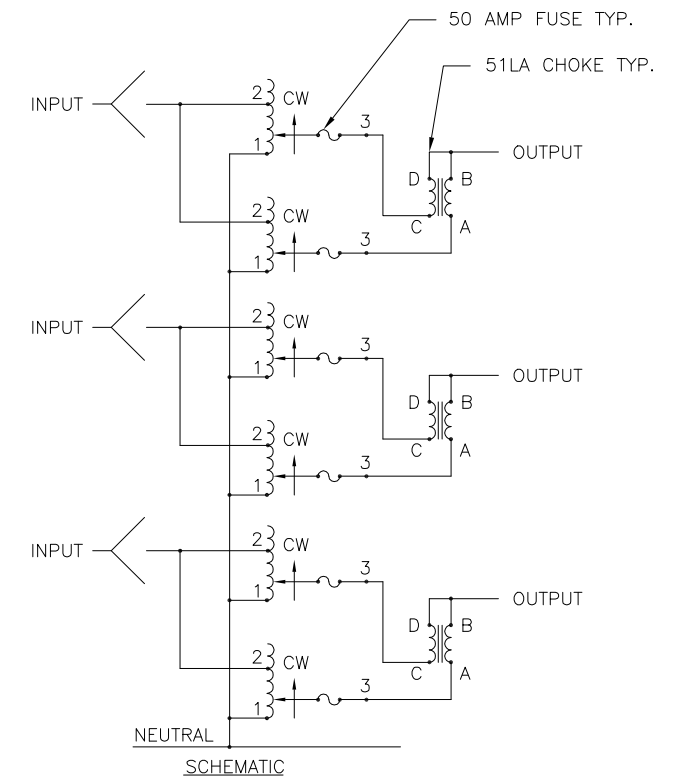
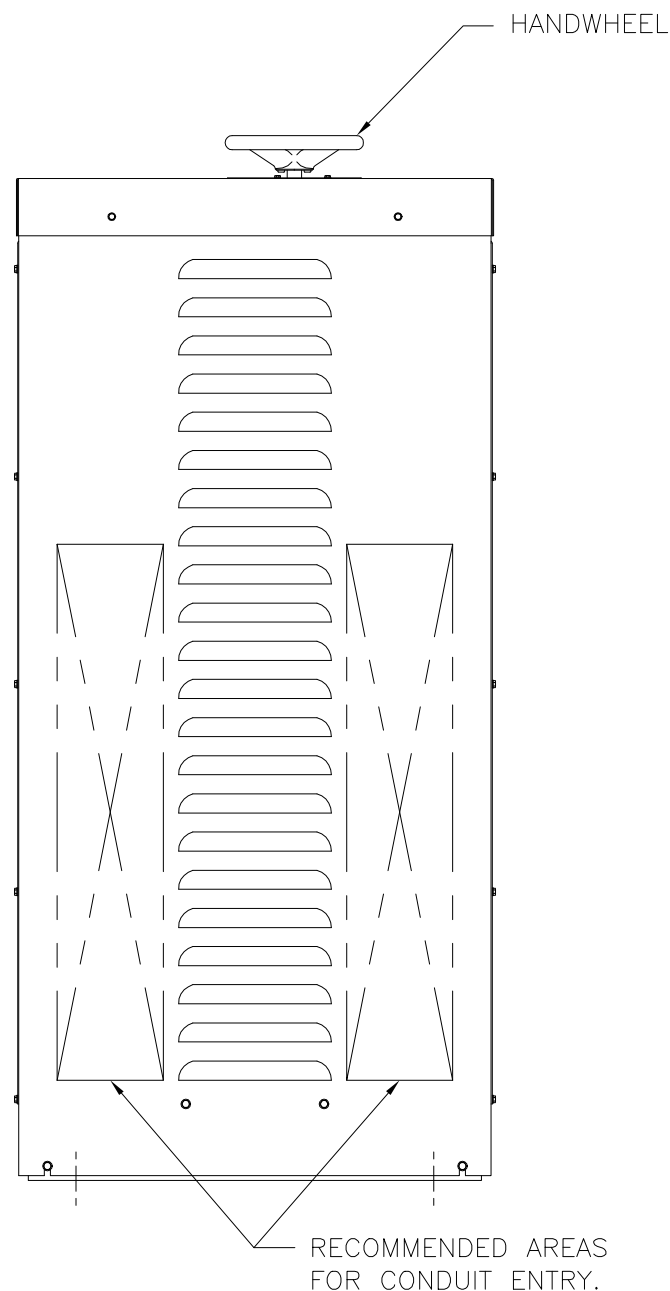
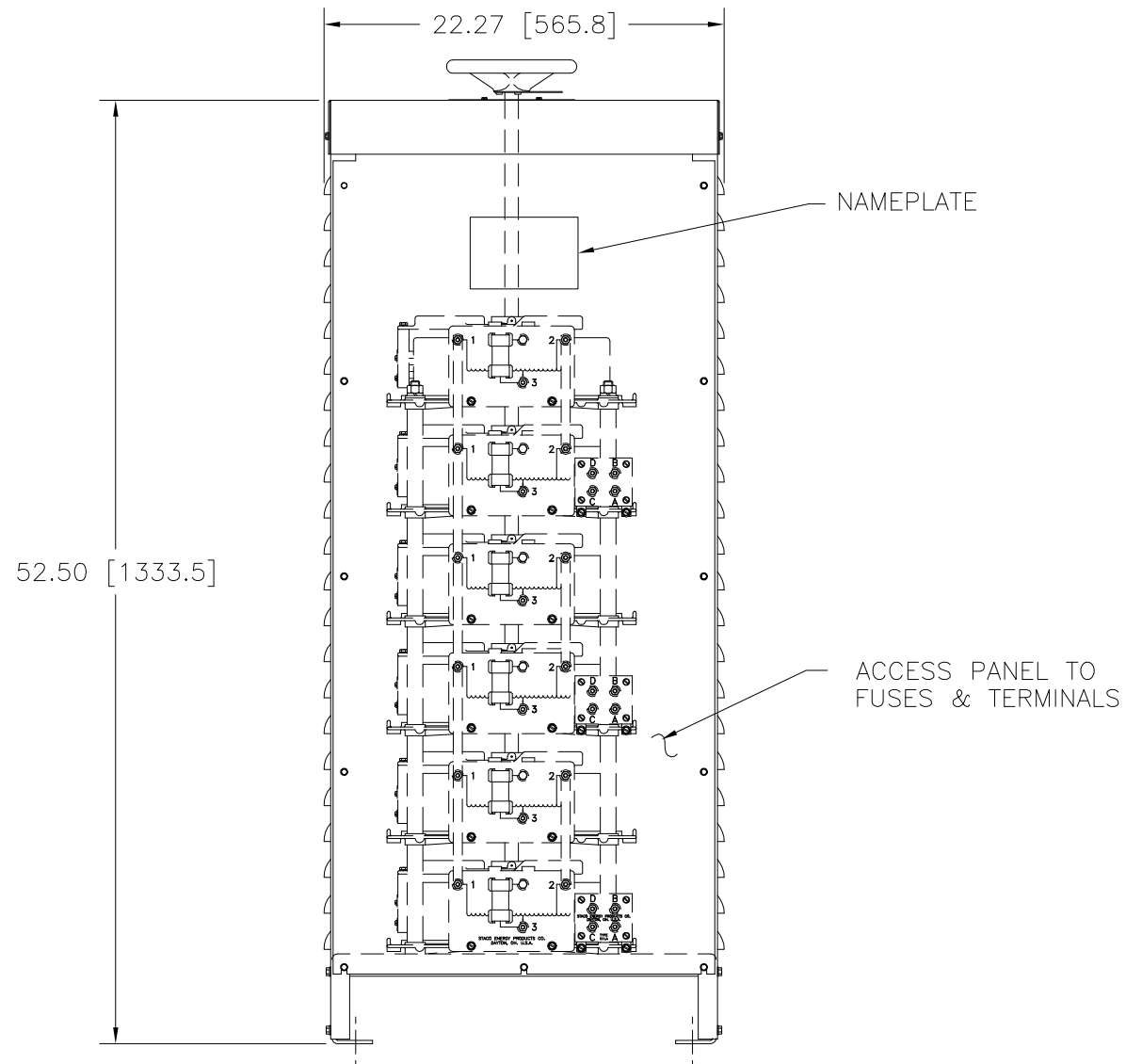
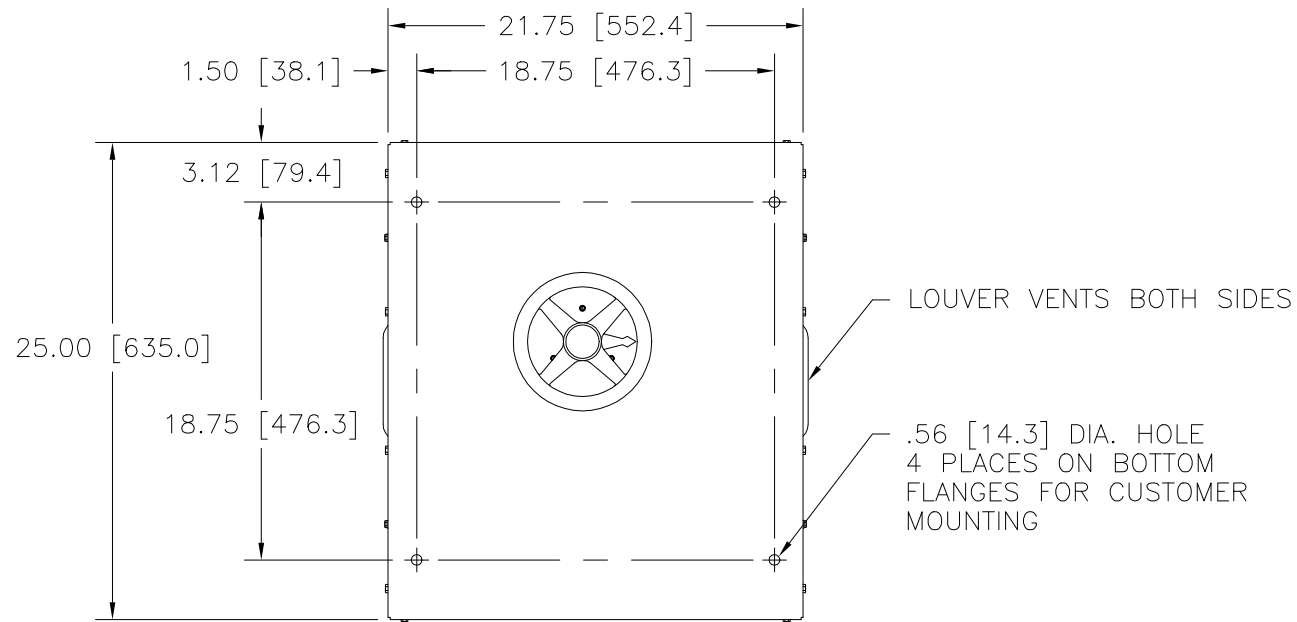


Go to VARIAC.com
 to purchase and for
 technical support.
 Made in the USA



SPECIFICATIONS								
WIRING	INPUT		OUTPUT			SHAFT ROTATION FOR VOLTAGE INCREASE	TERMINAL CONNECTIONS FOR INCREASING VOLTAGE AS VIEWED FROM TOP	
	VOLTS	HERTZ	VOLTS	CONSTANT CURRENT LOAD			INPUT	OUTPUT
THREE PHASE WYE	240	60	0-280	MAX. AMPS	MAX. KVA	CW	2-2-2	B-B-B
				100	48.5			
UNLESS OTHERWISE SPECIFIED, TOLERANCE IS #			UNITS			TITLE: SPEC. CONTROL DRAWING VARIABLE CURRENT TRANSFORMER TYPE: 5011E-6Y		
DECIMALS .12			IN [mm]			DRAWN BY: TIM RAU DATE: 8/7/97		
Holes .03			DRAFT 1-1/2"			FIRST USED ON: DO NOT SCALE DWG.		
ANGLES 1°			ALL DIMENSIONS APPLY AFTER PLATING			CHECKER: DATE: WEIGHT APPROX. CODE IDENT. NO. 83008		
MATERIAL:			ENGINEER: DATE: SCALE .2=1			CUSTOMER APPROVAL: DATE: DWG. NO. 031-6782		
<p>The information and design disclosed herein was originated by and is the property of STACO ENERGY PRODUCTS CO., which reserves all patent, proprietary, design, manufacturing, reproduction, use and sale rights thereto, and to any article disclosed therein except to the extent rights are expressly granted to others. The foregoing does not apply to vendor proprietary parts.</p>								

