

Go to [VARIAC.com](http://VARIAC.com)  
 to purchase and for  
 technical support.  
 Made in the USA

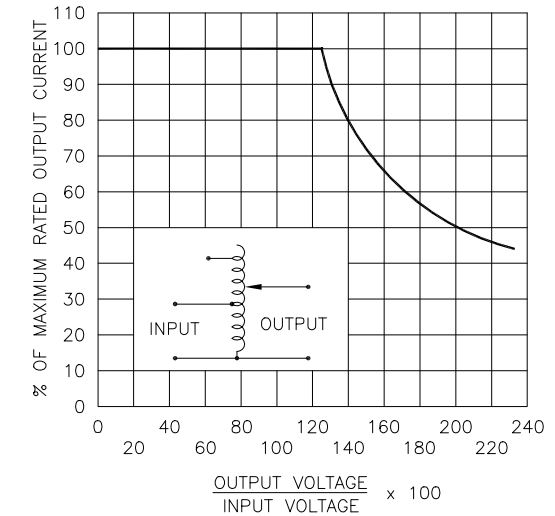
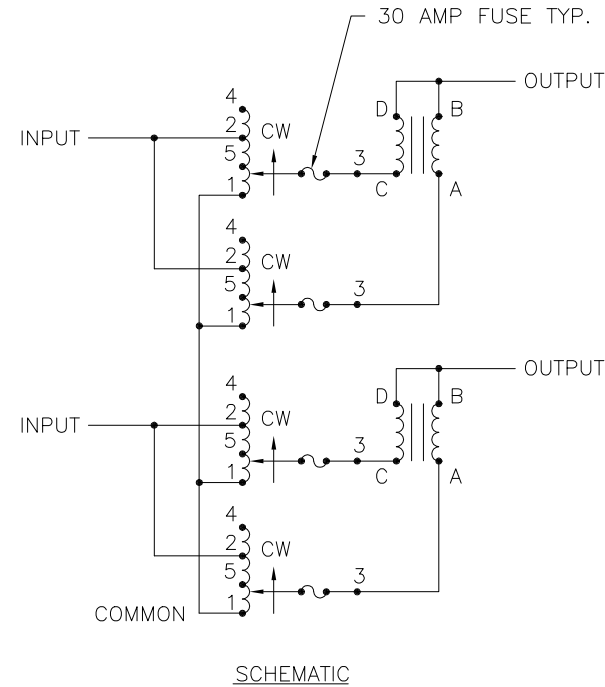
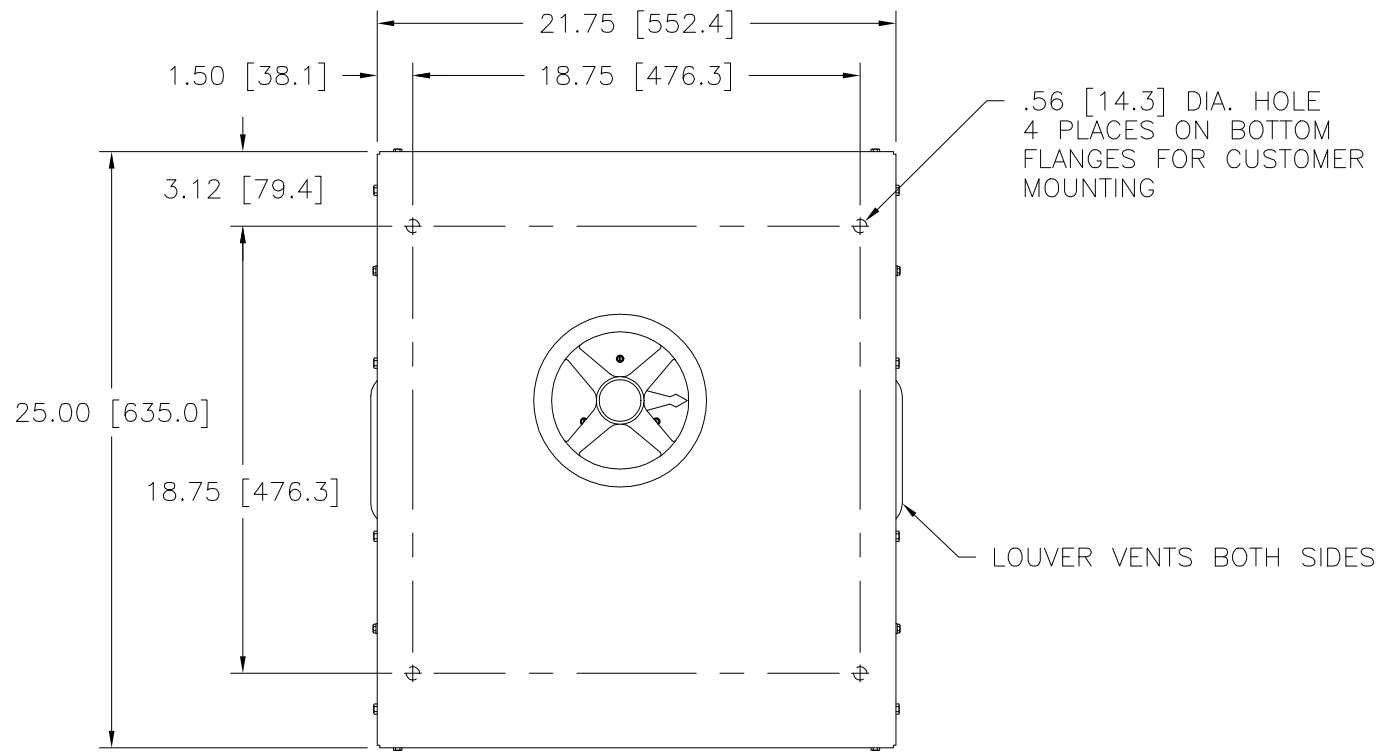
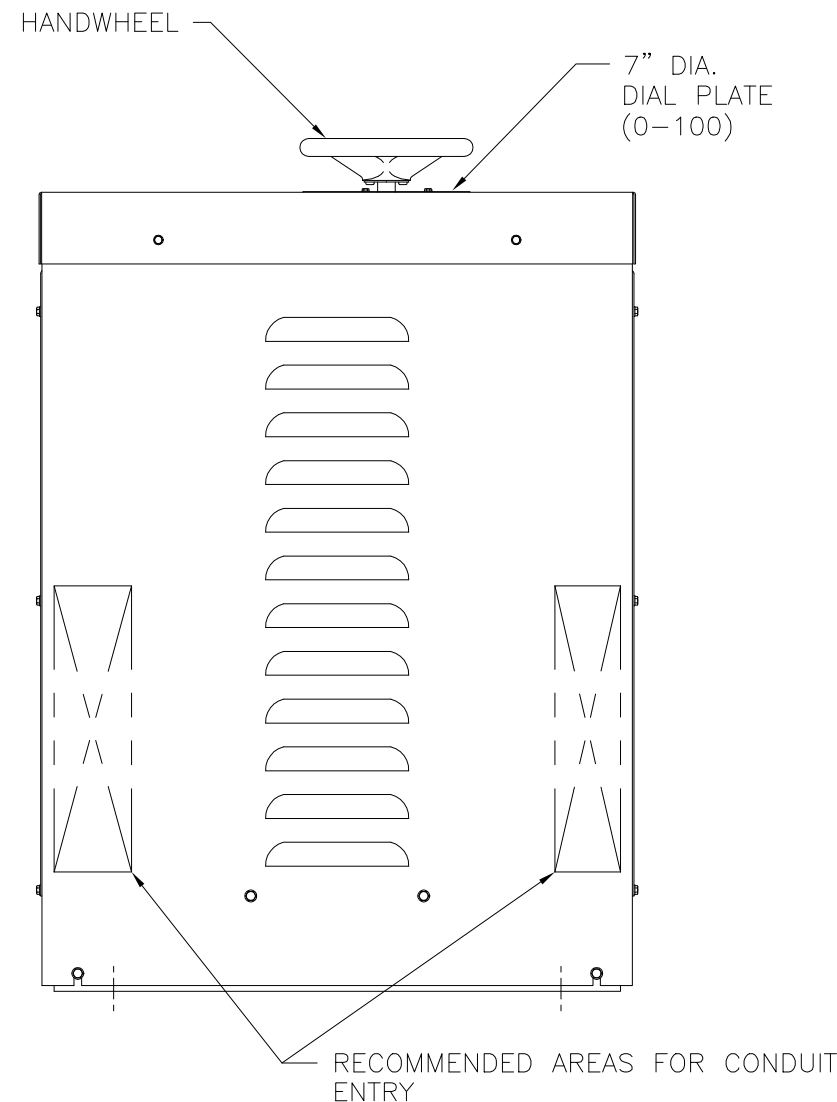
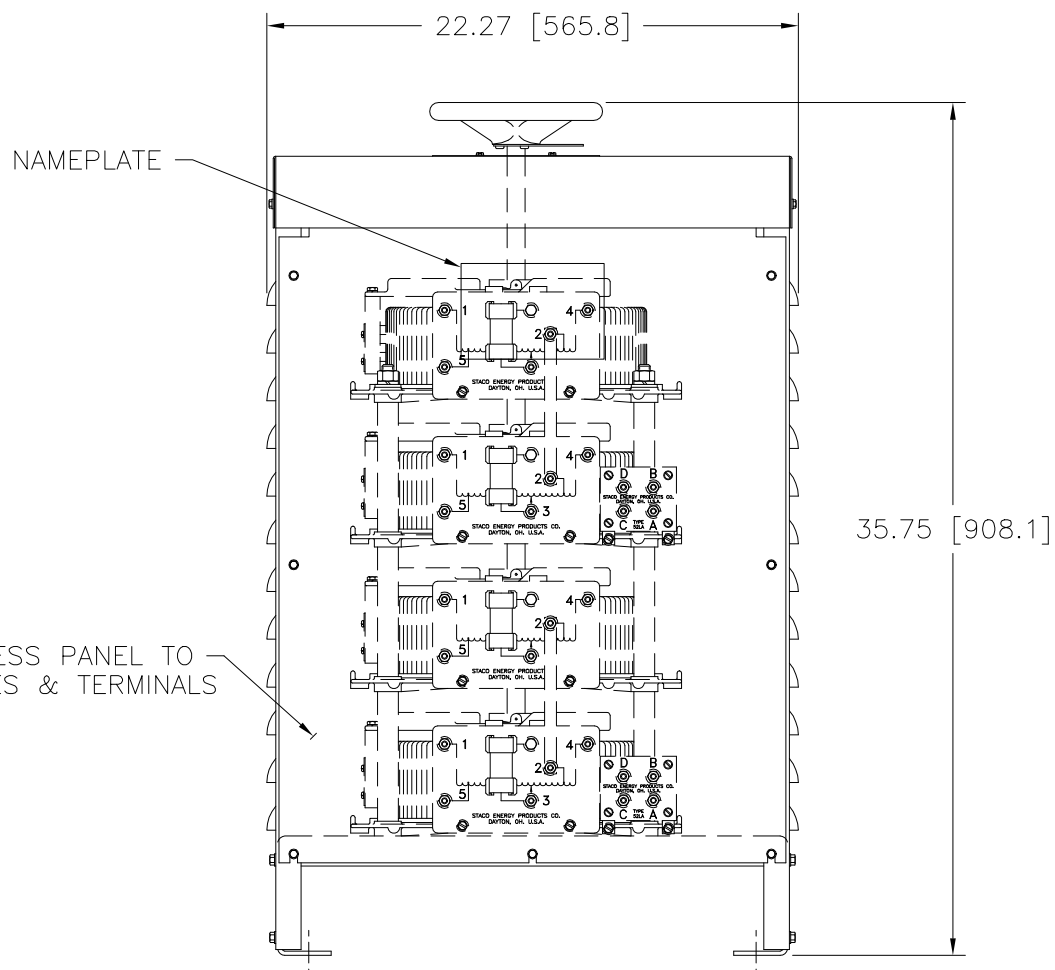


FIGURE A  
 MAXIMUM OUTPUT CURRENT OF ANY  
 DUAL INPUT VOLTAGE OR VOLTAGE DOUBLER  
 UNIT OPERATED AT LOWER INPUT VOLTAGE.

\* MAXIMUM OUTPUT CURRENT IN OUTPUT VOLTAGE RANGE FROM 0 TO 25 PERCENT ABOVE LINE VOLTAGE. AT HIGHER OUTPUT VOLTAGES, OUTPUT CURRENT MUST BE REDUCED ACCORDING TO RATING CURVE (SEE FIGURE A).

++ MAXIMUM KVA AT MAXIMUM OUTPUT AND CORRESPONDING DE-RATED CURRENT. MAXIMUM KVA AT LOWER OUTPUT VOLTAGES MAY BE CALCULATED FROM RATING CURVE, (SEE FIGURE A).

V.D. = VOLTAGE DOUBLER.



SPECIFICATIONS								
WIRING	INPUT		OUTPUT			SHAFT ROTATION FOR VOLTAGE INCREASE	TERMINAL CONNECTIONS FOR INCREASING VOLTAGE AS VIEWED FROM TOP	
	VOLTS	HERTZ	VOLTS	CONSTANT CURRENT LOAD			INPUT	OUTPUT
				MAX. AMPS	MAX. KVA			
SINGLE PHASE SERIES PARALLEL	480	50/60	0-480	56	26.9	CW	4-4	B-B
			0-560	56	31.4	CW	2-2	B-B
	240	50/60	0-560	56-24 V.D.	13.5 ±	CW	5-5	B-B

UNLESS OTHERWISE SPECIFIED, TOLERANCE IS #		UNITS		TITLE		
DECIMALS	Holes	ANGLES	DRAFT	IN [mm]		
.XX	.125	.03	1°	1-1/2°		
MATERIAL:		ALL DIMENSIONS APPLY AFTER PLATING		SPECIFICATION CONTROL DRAWING		
				VARIABLE TRANSFORMER		
				5021E-4PS		
DRAWN BY		DATE	FIRST USED ON	DO NOT SCALE DWG.	CUSTOMER APPROVAL	DATE
TIM RAU		12/14/95				
CHECKER		DATE	WEIGHT APPROX.	CODE IDENT. NO.	DWG. NO.	
				83008	031-7472	
ENGINEER		DATE	SCALE	SHEET 1 OF 1	DWG. NO.	
			.25=1		031-7472	



The information and design disclosed herein was originated by and is the property of STACO ENERGY PRODUCTS CO., which reserves all patent, proprietary, design, manufacturing, reproduction, use and sale rights thereto, and to any article disclosed therein except to the extent rights are expressly granted to others. The foregoing does not apply to vendor proprietary parts.