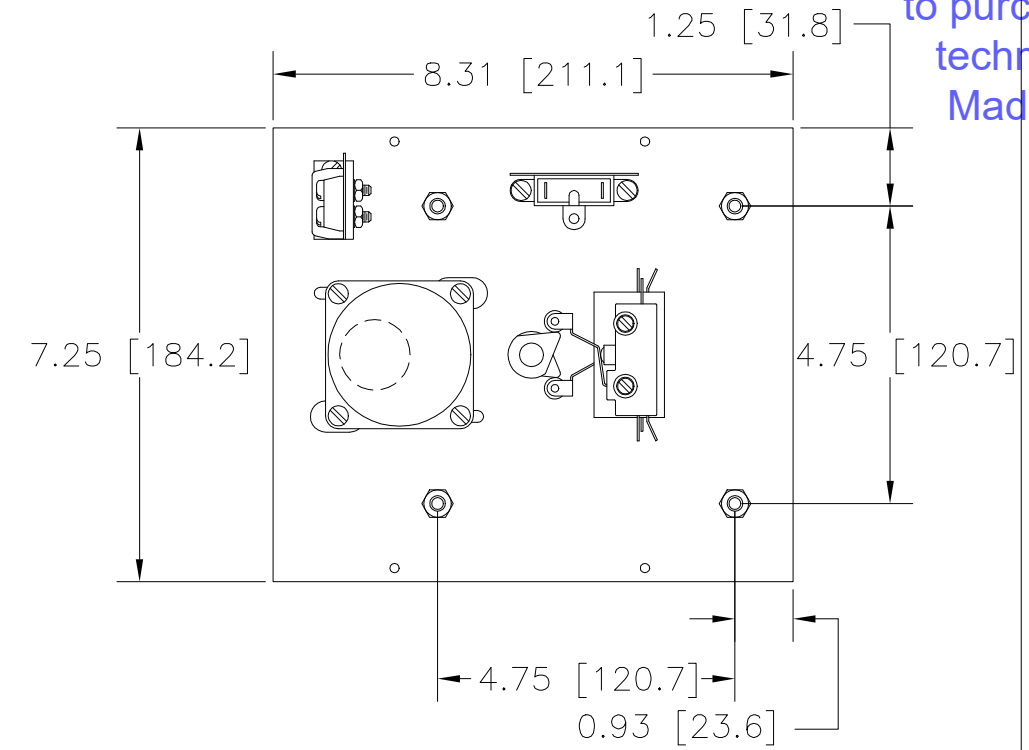
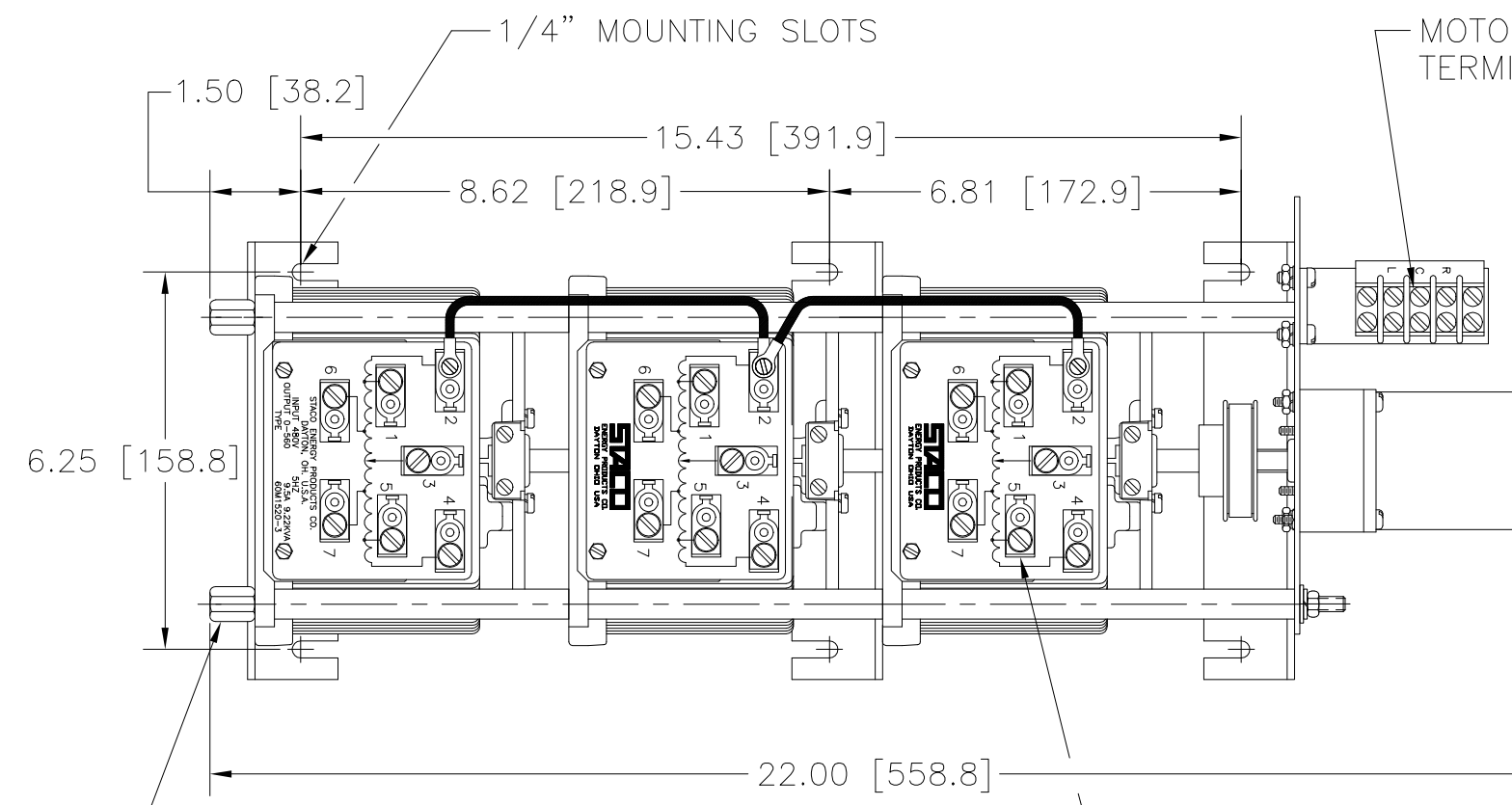


DWG. NO.	031-4068		
REVISIONS			
SYM.	E.C.N.	DATE	APVD.
A	23003	12/15/95	REVISED & REDRAWN

Go to VARIAC.com to purchase and for technical support. Made in the USA

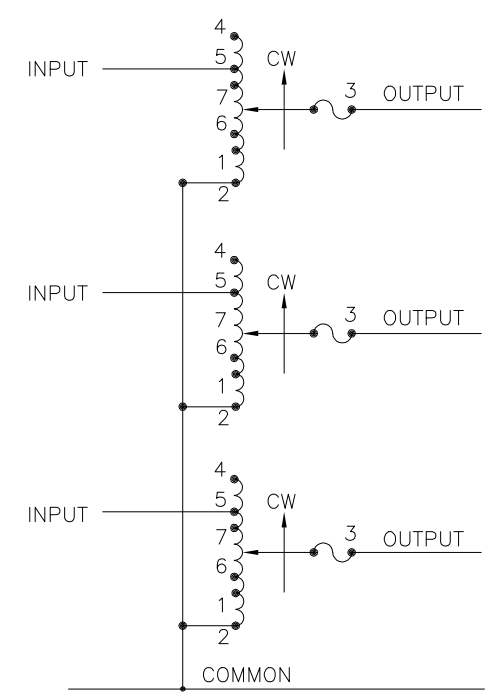


1/4-28 X .38 [9.6] DEEP (4 STANDOFFS) FOR MOUNTING BOLTS

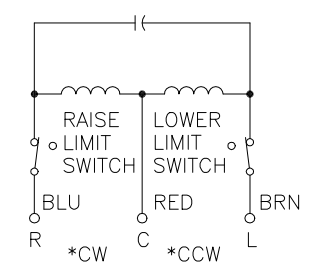
OPTIONAL TERMINALS FOR PUSH ON OR SOLDER CONNECTIONS (.032 X .250)

NOTES:

- # MAXIMUM OUTPUT CURRENT IN OUTPUT VOLTAGE RANGE FROM 0 TO 25% ABOVE LINE VOLTAGE. AT HIGHER OUTPUT VOLTAGES, THE OUTPUT CURRENT MUST BE REDUCED ACCORDING TO THE DERATING CURVE FIGURE A, PAGE 16, STACO GC-4 CATALOG.
- ¶ IF GANGED UNITS ARE USED IN A SYSTEM THAT ORDINARILY HAS A COMMON NEUTRAL OR GROUND BETWEEN SOURCE AND LOAD, THE NEUTRAL OR GROUND MUST BE CONNECTED TO THE COMMON TERMINALS OF THE VARIABLE TRANSFORMER ASSEMBLY. IF THE SYSTEM HAS NO NEUTRAL, THE LOAD MUST BE BALANCED OR THE TRANSFORMERS WILL BE DAMAGED.
- § MAXIMUM KVA AT MAXIMUM OUTPUT VOLTAGE AND CORRESPONDING DERATED OUTPUT CURRENT. MAXIMUM KVA FOR LOWER VOLTAGES MAY BE CALCULATED FROM DERATING CURVE FIGURE A, PAGE 16, STACO GC-4 CATALOG.
- JUMPER PROVIDED IN THE STANDARD COMMON POSITION AND SHOULD BE MOVED OR REMOVED AS REQUIRED.



SCHEMATIC



MOTOR CIRCUIT
120V, 50/60 HZ
* ROTATION AS VIEWED FROM MOTOR END
MOTOR SPEED: 60 SEC.

NOTE: FUSE RECOMMENDED BUT NOT SUPPLIED

SPECIFICATIONS											
WIRING	INPUT		OUTPUT				SHAFT ROTATION TO INCREASE VOLTAGE	TERMINAL CONNECTIONS			
	VOLTS	HERTZ	VOLTS	CONSTANT CURRENT LOAD	CONSTANT IMPEDANCE LOAD	FOR INCREASING VOLTAGE AS VIEWED FROM BASE END		INPUT	JUMPER	OUTPUT	
THREE PHASE WYE ¶	480	50/60	0-480	9.5	7.90	12	10	CW	2-2-2	4-4-4	3-3-3
		60	0-560	9.5	9.21	—	—	CCW	4-4-4	2-2-2	3-3-3
	240	60	0-560	9.5#	3.96§	—	—	CW	1-1-1	4-4-4	3-3-3
								CCW	5-5-5	2-2-2	3-3-3
								CW	7-7-7	4-4-4	3-3-3
								CCW	6-6-6	2-2-2	3-3-3

UNLESS OTHERWISE SPECIFIED, TOLERANCE IS ±	DECIMALS	HOLES	ANGLES	DRAFT	UNITS
.XX	±.06	.002	1°	1-1/2°	IN [mm]
.XXX	.005				ALL DIMENSIONS APPLY AFTER PLATING

TITLE: SPEC. CONTROL DWG. VARIABLE TRANSFORMER TYPE: 60M1520-3

DRAWN BY: TIM RAU DATE: 12/15/95 FIRST USED ON: DO NOT SCALE DWG.

CHECKER: DATE: WEIGHT APPROX. CODE IDENT. NO. 83008 DWG. NO. 031-4068

ENGINEER: DATE: SCALE: .5=1 SHEET 1 OF 1