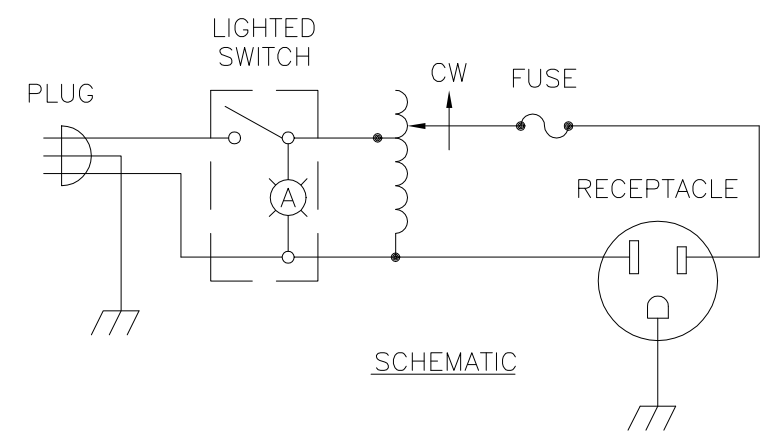
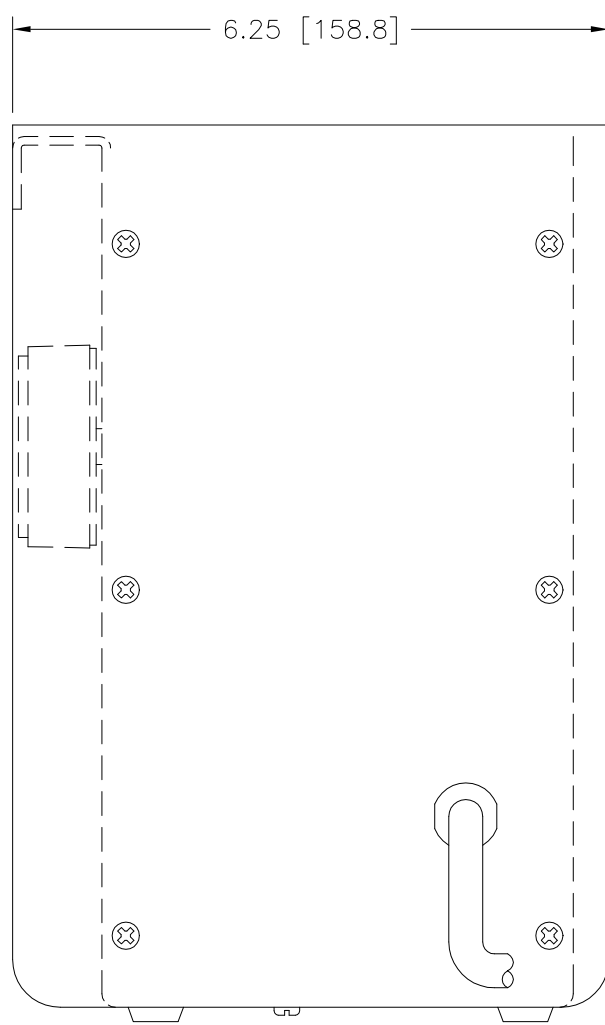
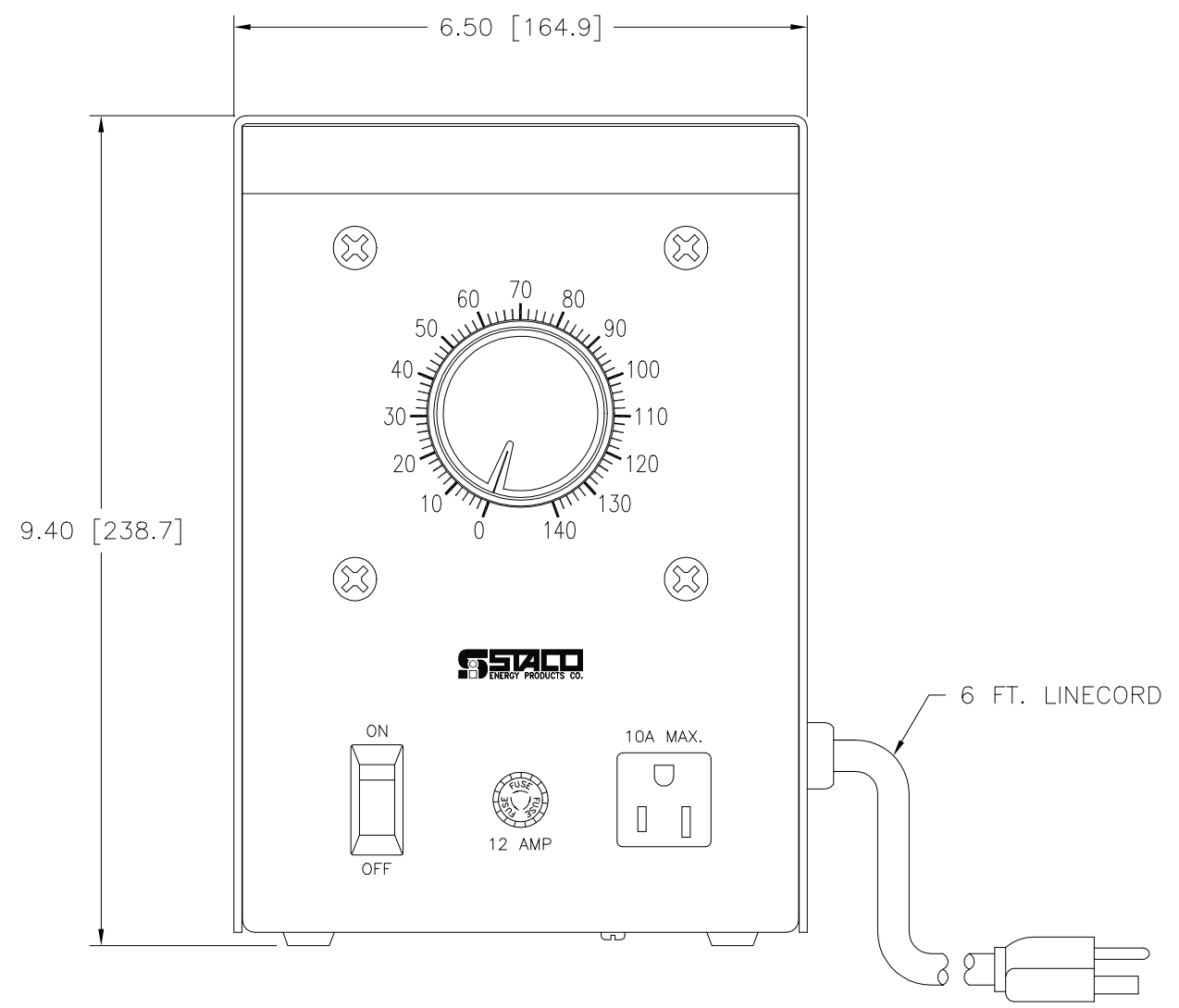
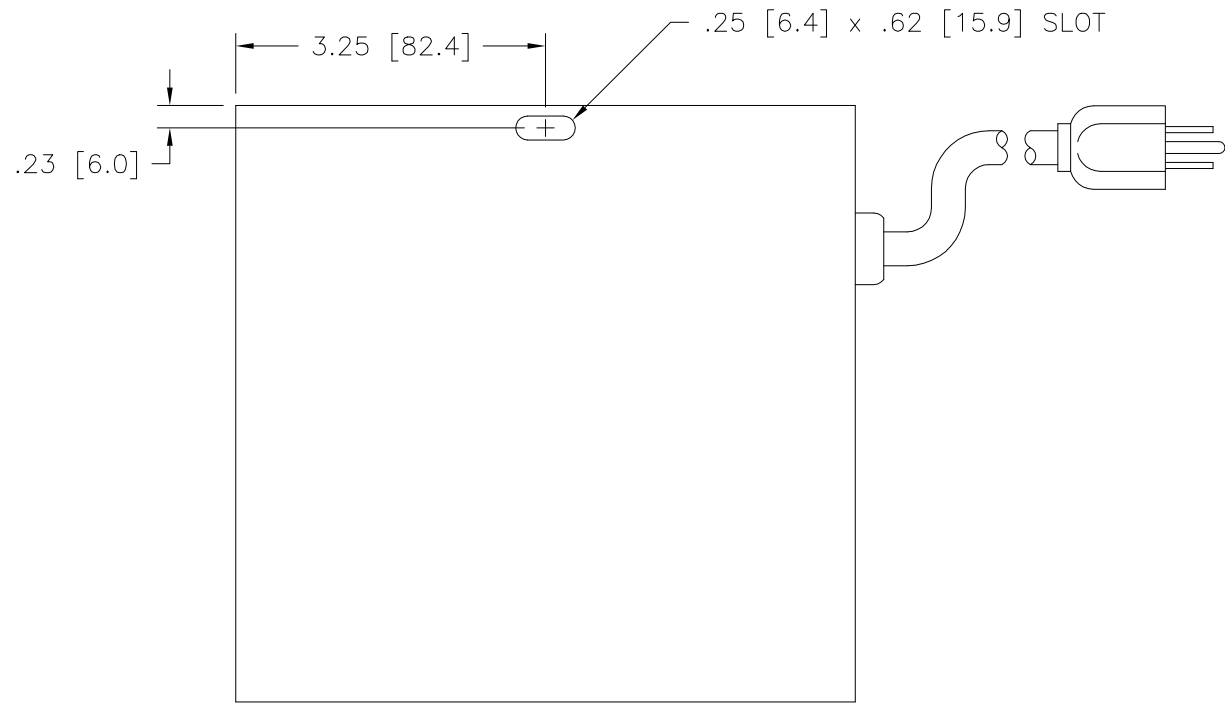


Go to [VARIAC.com](http://VARIAC.com)  
to purchase and for  
technical support.  
Made in the USA



SPECIFICATIONS					
WIRING	INPUT		OUTPUT		
	VOLTS	HERTZ	VOLTS	CONSTANT CURRENT LOAD	
				MAX. AMPS	MAX. KVA
SINGLE PHASE	120	50/60	0-140	10	1.4

UNLESS OTHERWISE SPECIFIED, TOLERANCE IS #		UNITS		TITLE:	
DECIMALS	Holes	ANGLES	DRAFT	SPEC. CONTROL DRAWING	
.XX	.0008	.01	1°	VARIABLE AC POWER SOURCE	
.XXX	.005		1-1/2°	MODEL: L1010B	
MATERIAL:		ALL DIMENSIONS APPLY AFTER PLATING		DRAWN BY S.A. SMITH	
DATE		DATE		FIRST USED ON 3/5/99	
CHECKER		DATE		DO NOT SCALE DWG.	
ENGINEER		DATE		CUSTOMER APPROVAL	
SCALE 1=1		SHEET 1 OF 1		DWG. NO. 065-1033	

