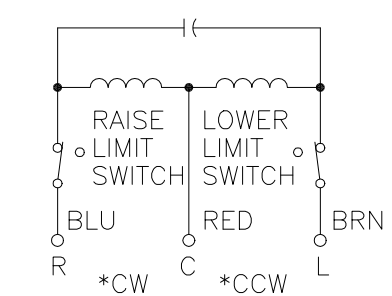
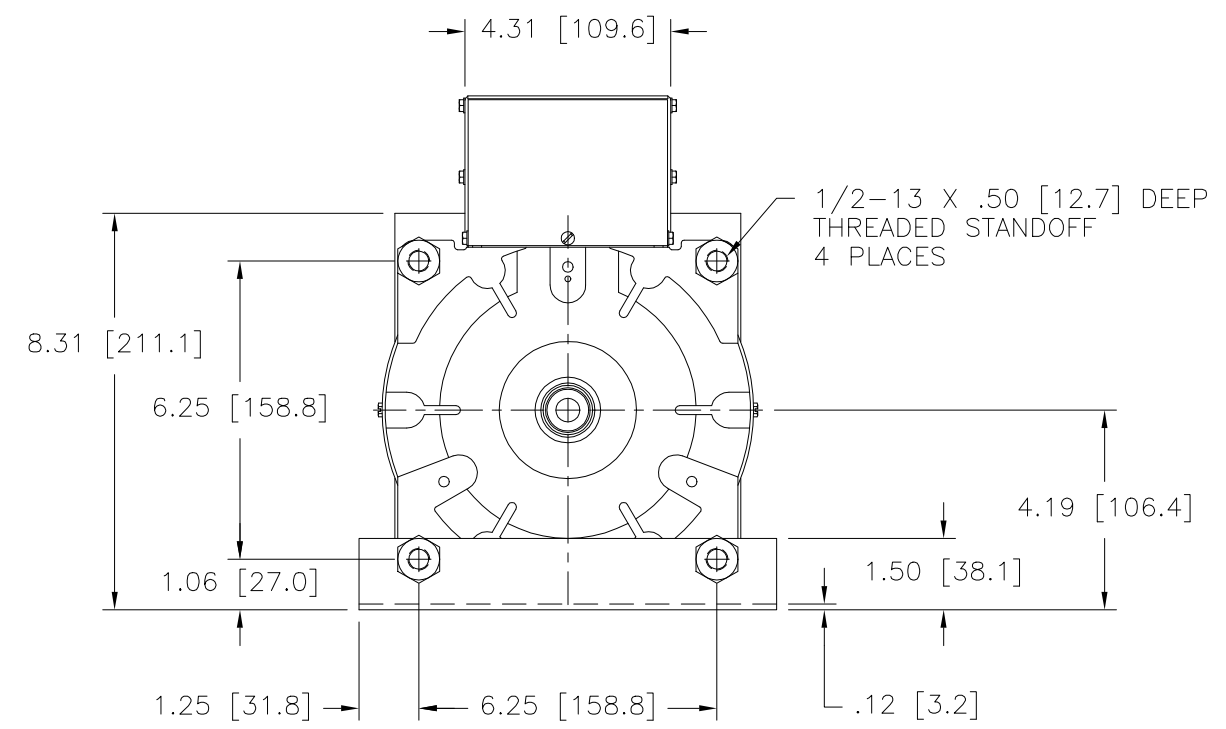
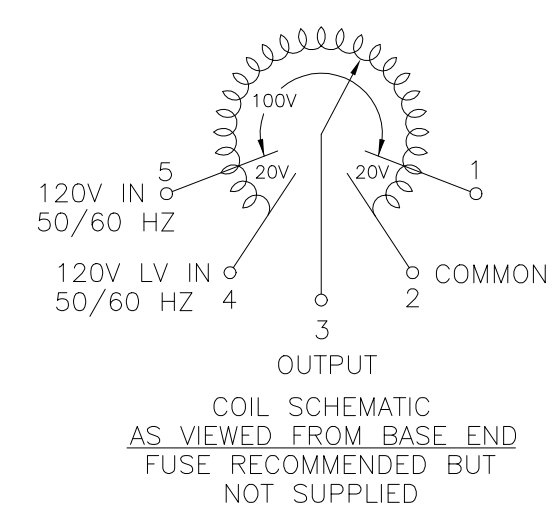
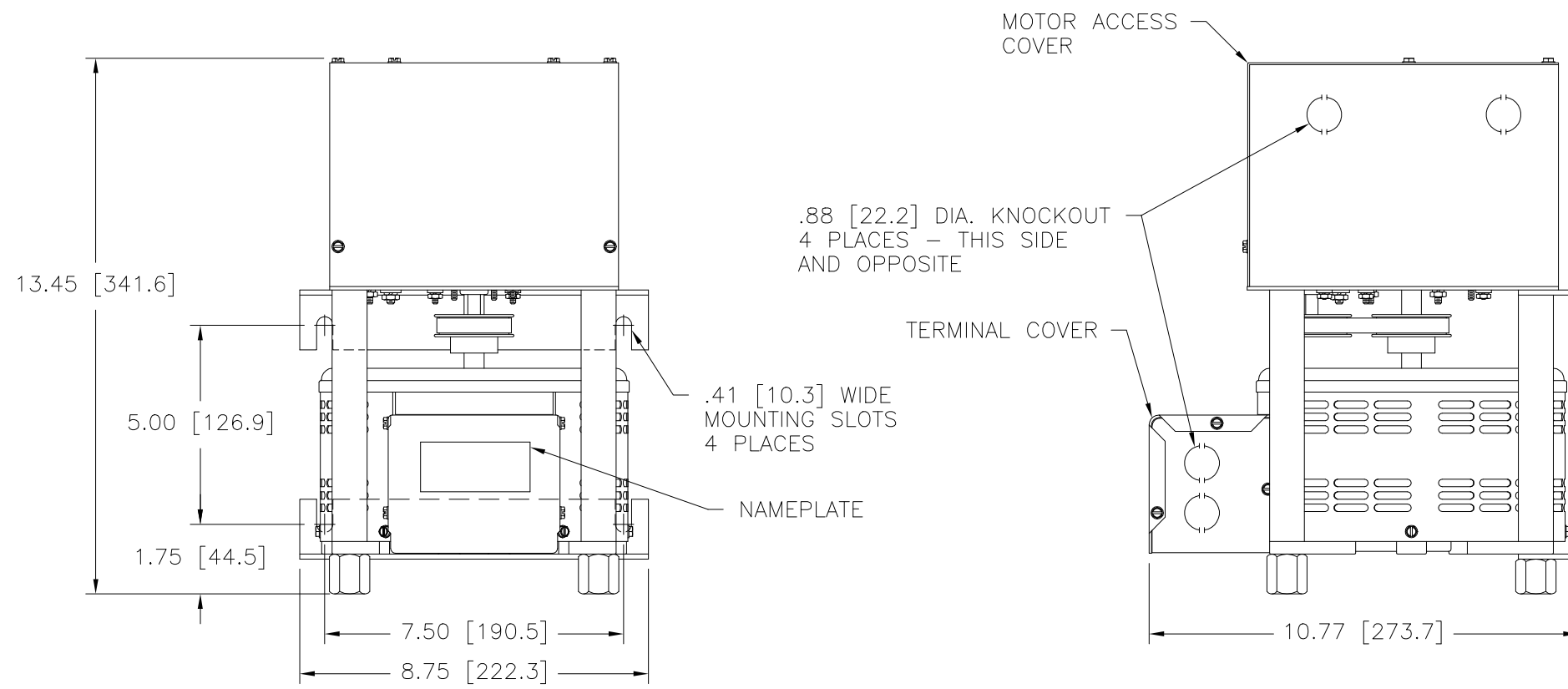


DWG. NO.	031-5261		
REVISIONS			
SYM.	E.C.N.	DATE	APVD.
A	24467	1/4/01	REDRAWN ON CAD

Go to VARIAC.com
to purchase and for
technical support.
Made in the USA



MOTOR CIRCUIT
120V, 50/60 HZ
* ROTATION AS VIEWED FROM MOTOR END
MOTOR SPEED: SEE CHART

+ MOTOR DRIVEN UNITS USE TERMINAL CONNECTIONS FOR CCW INCREASING VOLTAGE, AS VIEWED FROM THE BASE END.

SPEED (SECONDS)	MODEL NUMBER
5	5M2510CT
15	15M2510CT
30	30M2510CT
60	60M2510CT

SPECIFICATIONS											
WIRING	INPUT		OUTPUT				SHAFT ROTATION TO INCREASE VOLTAGE	TERMINAL CONNECTIONS			
	VOLTS	HERTZ	VOLTS	CONSTANT CURRENT LOAD	CONSTANT IMPEDANCE LOAD	FOR INCREASING VOLTAGE AS VIEWED FROM BASE END +					
SINGLE PHASE	120	50/60	0-120	MAX. AMPS	MAX. KVA	MAX. AMPS	MAX. KVA	CW CCW CW CCW	INPUT	JUMPER	OUTPUT
			25	3.00	30	3.6	2-4		---	4-3	
			25	3.50	---	---	2-4		---	2-3	
			25	---	---	---	1-4		---	4-3	
			2-5	---	2-3						

UNLESS OTHERWISE SPECIFIED, TOLERANCE IS ± DECIMALS .XX, HOLES .0005-.0010, ANGLES DRAFT 1°, UNITS IN [mm]

MATERIAL: ALL DIMENSIONS APPLY AFTER PLATING

TITLE: SPEC. CONTROL DRAWING VARIABLE TRANSFORMER MODEL: M2510CT

STACO ENERGY PRODUCTS CO. A COMPONENTS CORPORATION OF AMERICA COMPANY DAYTON, OHIO U.S.A.

DRAWN BY: S.A. SMITH DATE: 1/4/2001 FIRST USED ON: DO NOT SCALE DWG. CUSTOMER APPROVAL: DATE:

CHECKER: DATE: WEIGHT APPROX. 31 LBS CODE IDENT. NO. 83008 DWG. NO. 031-5261

ENGINEER: DATE: SCALE 1/2 SHEET 1 OF 1