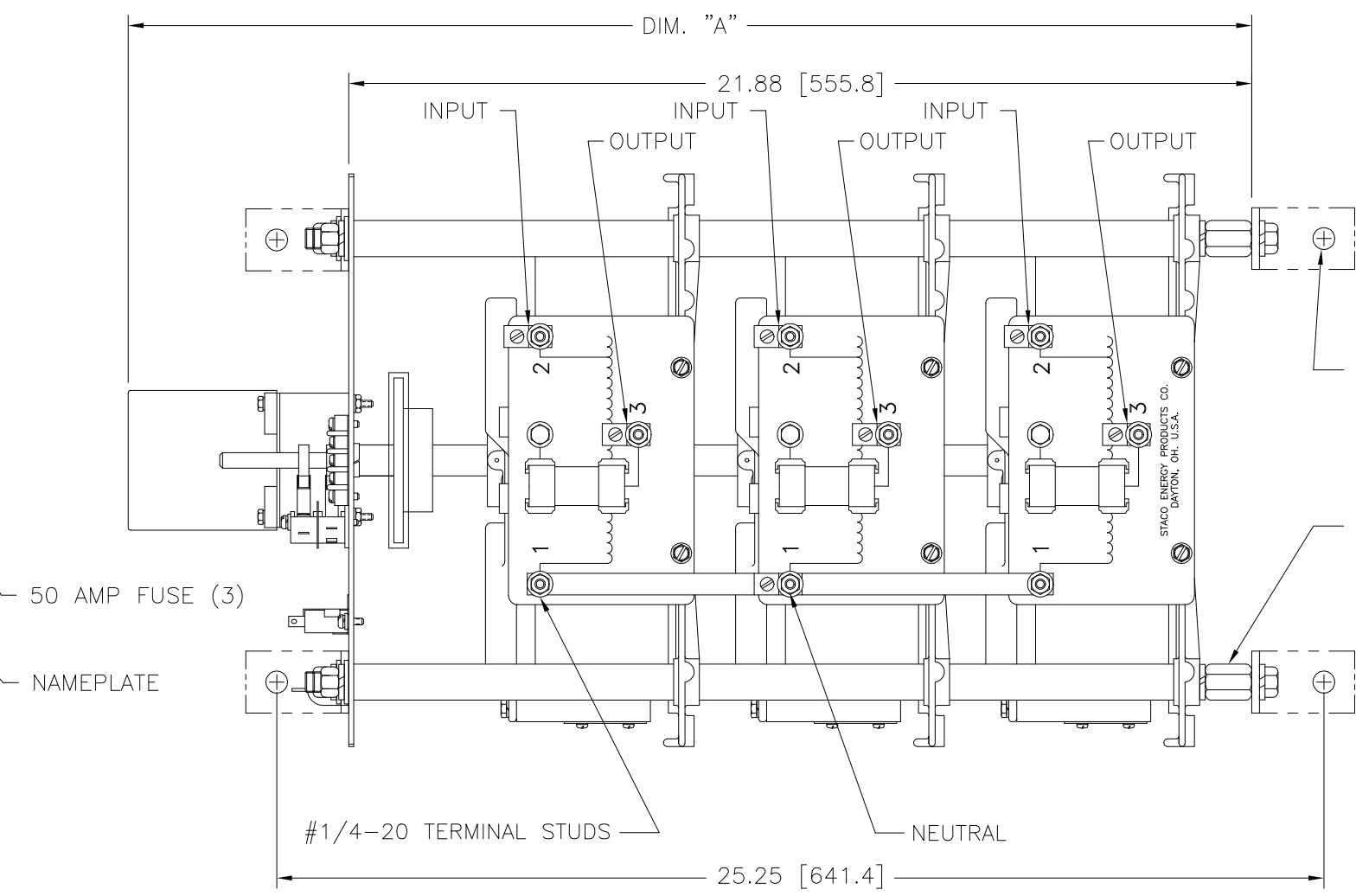
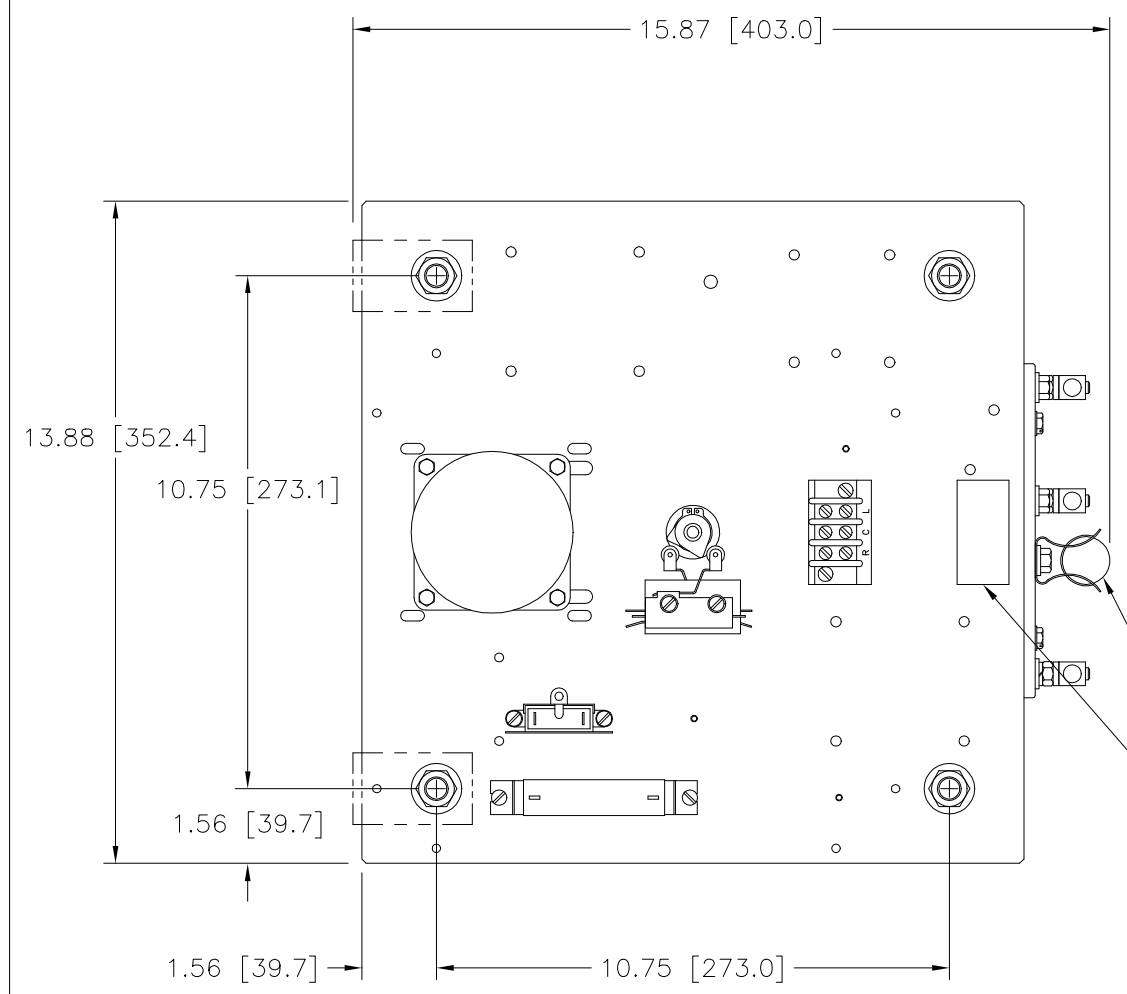


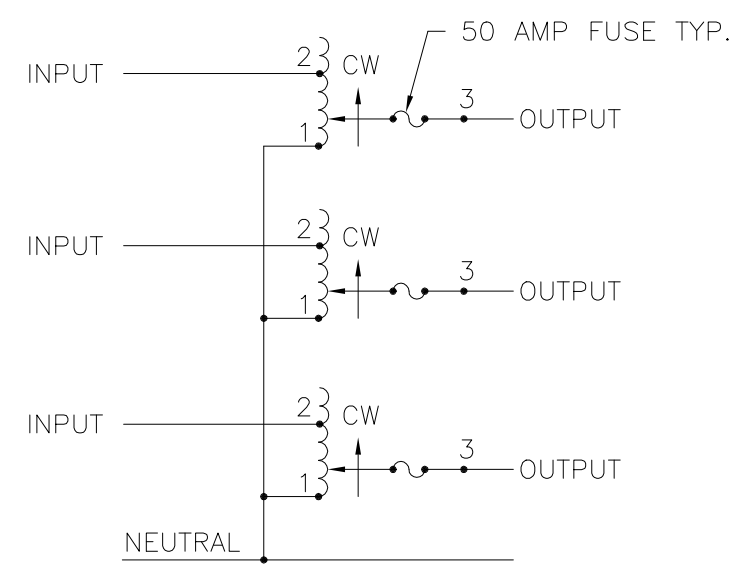
DWG. NO.	031-6864		
REVISIONS			
SYM.	E.C.N.	DATE	APVD.
A	23457	8/12/97	
B	24281	6/13/00	

Go to www.variac.com
to purchase and for
technical support.
Made in the USA

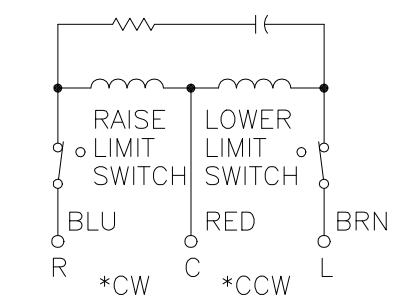


.53 [13.4] DIA. HOLE
FOR CUSTOMER MTG.
(4) HOLES

1/2-13 X .56 [14.2] DP.
STANDOFFS FOR MTG. BOLTS



SCHEMATIC



MOTOR CIRCUIT
120V, 50/60 HZ
* ROTATION AS VIEWED
FROM TOP END
MOTOR SPEEDS: SEE CHART

MODEL NUMBER	SPEED (SECONDS)	DIM "A"
5M5011-3Y	5	25.56 [649.2]
15M5011-3Y	15	27.38 [695.4]
30M5011-3Y	30	27.38 [695.4]
60M5011-3Y	60	27.38 [695.4]

WIRING	INPUT		OUTPUT		SHAFT ROTATION FOR VOLTAGE INCREASE	TERMINAL CONNECTIONS FOR INCREASING VOLTAGE AS VIEWED FROM TOP		
	VOLTS	HERTZ	VOLTS	CONSTANT CURRENT LOAD		INPUT	OUTPUT	
				MAX. AMPS				MAX. KVA
THREE PHASE WYE	240	60	0-280	50	24.2	CW	2-2-2	3-3-3

UNLESS OTHERWISE SPECIFIED, TOLERANCE IS # DECIMALS .XX .XXX .005 Holes .12 .000 .03 ANGLES 1° DRAFT 1-1/2° UNITS IN [mm]

MATERIAL: ALL DIMENSIONS APPLY AFTER PLATING

TITLE: SPEC. CONTROL DRAWING MOTORIZED VARIABLE XFMR. TYPE: M5011-3Y

STACO ENERGY PRODUCTS CO. A COMPONENTS CORPORATION OF AMERICA COMPANY DAYTON, OHIO U.S.A.

DRAWN BY	DATE	FIRST USED ON	DO NOT SCALE DWG.	CUSTOMER APPROVAL	DATE
TIM RAU	7/25/97				
CHECKER	DATE	WEIGHT APPROX. 233 LBS.	CODE IDENT. NO. 83008	DWG. NO.	DWG. NO.
ENGINEER	DATE	SCALE .5=1	SHEET 1 OF 1	D	031-6864

The information and design disclosed herein was originated by and is the property of STACO ENERGY PRODUCTS CO., which reserves all patent, proprietary, design, manufacturing, reproduction, use and sale rights thereto, and to any article disclosed therein except to the extent rights are expressly granted to others. The foregoing does not apply to vendor proprietary parts.