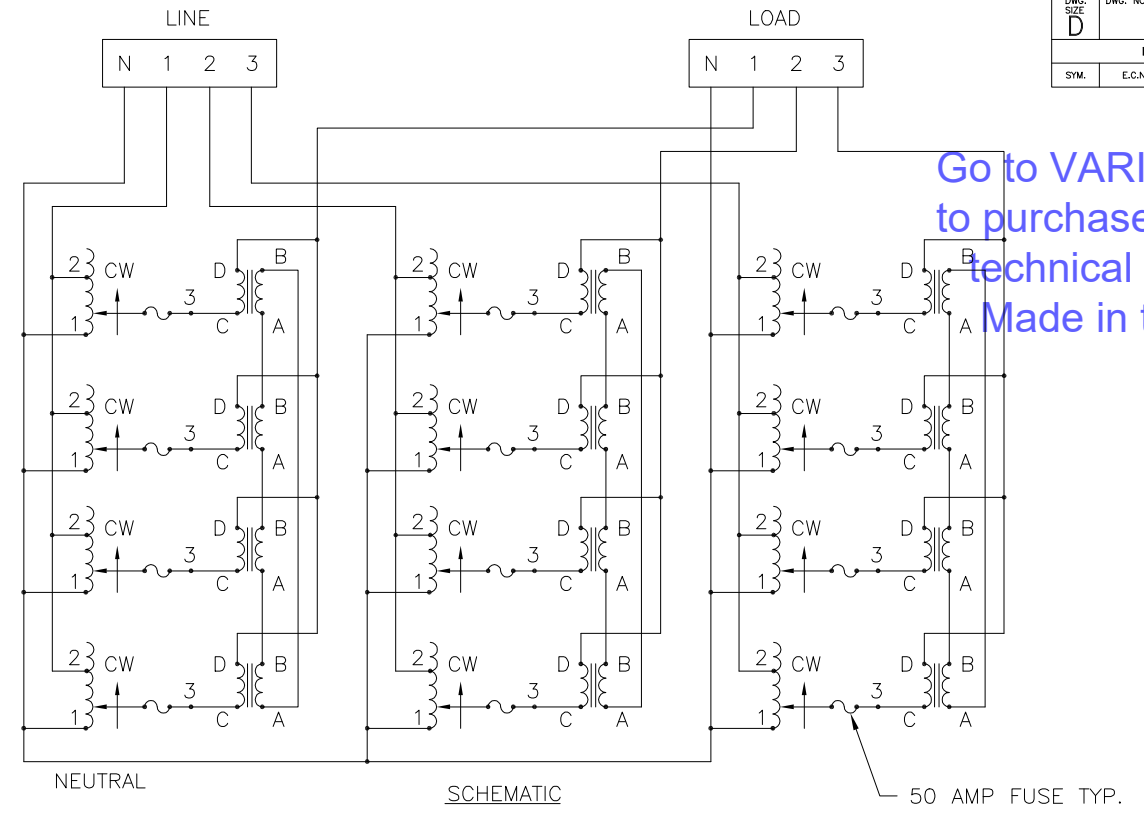
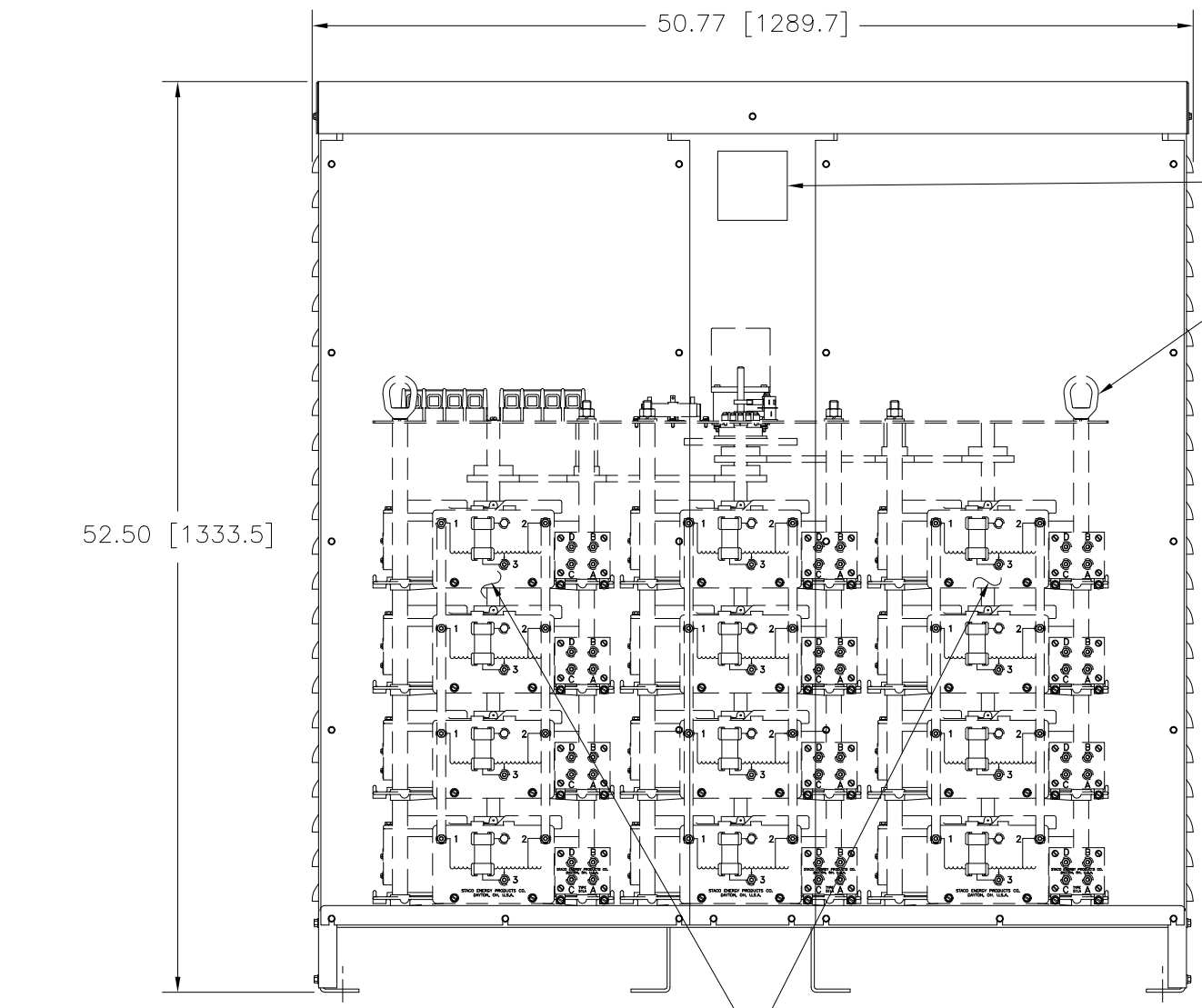


.56 [14.3] DIA. HOLE  
 4 PLACES ON BOTTOM  
 FLANGES FOR CUSTOMER  
 MOUNTING

LOUVER VENTS  
 BOTH SIDES



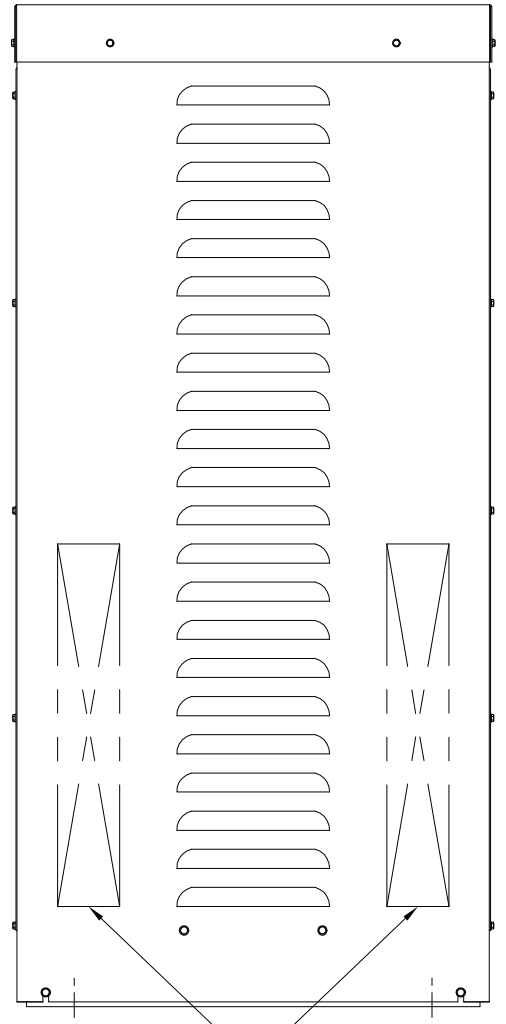
Go to [VARIAC.com](http://VARIAC.com)  
 to purchase and for  
 technical support.  
 Made in the USA



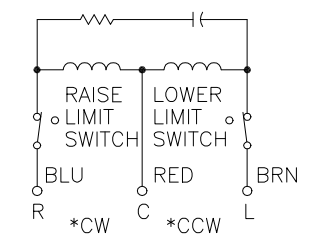
NAMEPLATE

EYENUTS FOR  
 CONVEYING

ACCESS PANELS TO  
 FUSES & TERMINALS



RECOMMENDED AREAS  
 FOR CONDUIT ENTRY



MOTOR CIRCUIT  
 120V, 50/60 HZ  
 \* ROTATION AS VIEWED  
 FROM TOP END  
 MOTOR SPEEDS: 30, 60 SEC.

SPEED (SECONDS)	MODEL NUMBER
30	30M5011E-12Y
60	60M5011E-12Y

WIRING	INPUT		OUTPUT			SHAFT ROTATION FOR VOLTAGE INCREASE	TERMINAL CONNECTIONS FOR INCREASING VOLTAGE AS VIEWED FROM TOP	
	VOLTS	HERTZ	VOLTS	CONSTANT CURRENT LOAD			INPUT	OUTPUT
				MAX. AMPS	MAX. KVA			
THREE PHASE WYE	240	60	0-280	200	96.7	CW	2-2-2	D-D-D

UNLESS OTHERWISE SPECIFIED, TOLERANCE IS # DECIMALS HOLES ANGLES DRAFT UNITS IN [mm]

MATERIAL: ALL DIMENSIONS APPLY AFTER PLATING

TITLE: SPEC. CONTROL DRAWING MOTORIZED VARIABLE XFMR. TYPE: M5011E-12Y

STACO ENERGY PRODUCTS CO. A COMPONENTS CORPORATION OF AMERICA COMPANY DAYTON, OHIO U.S.A.

DRAWN BY: TIM RAU DATE: 9/26/00 FIRST USED ON: DO NOT SCALE DWG. CUSTOMER APPROVAL: DATE:

CHECKER: DATE: WEIGHT APPROX. CODE IDENT. NO. 83008 DWG. NO. 031-7120

ENGINEER: DATE: SCALE: .2=1 SHEET 1 OF 1