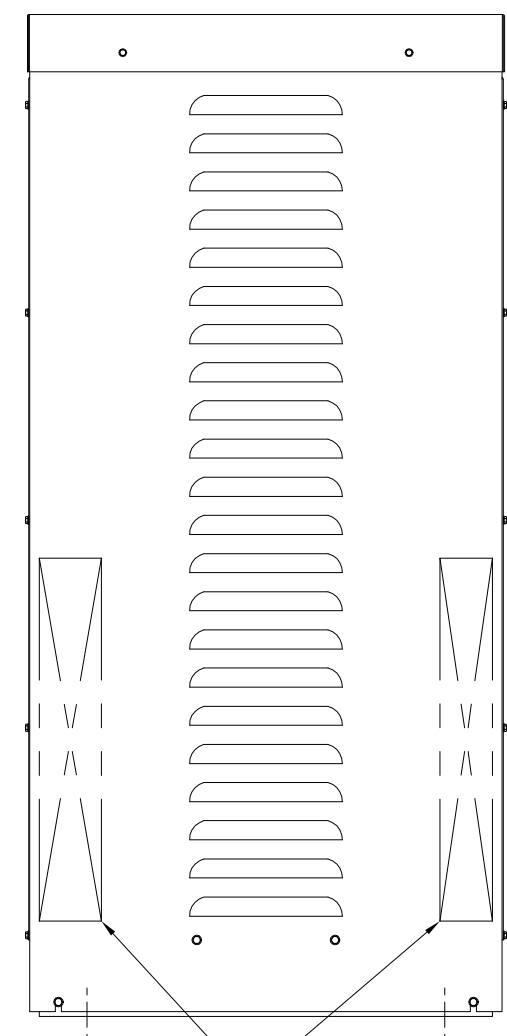
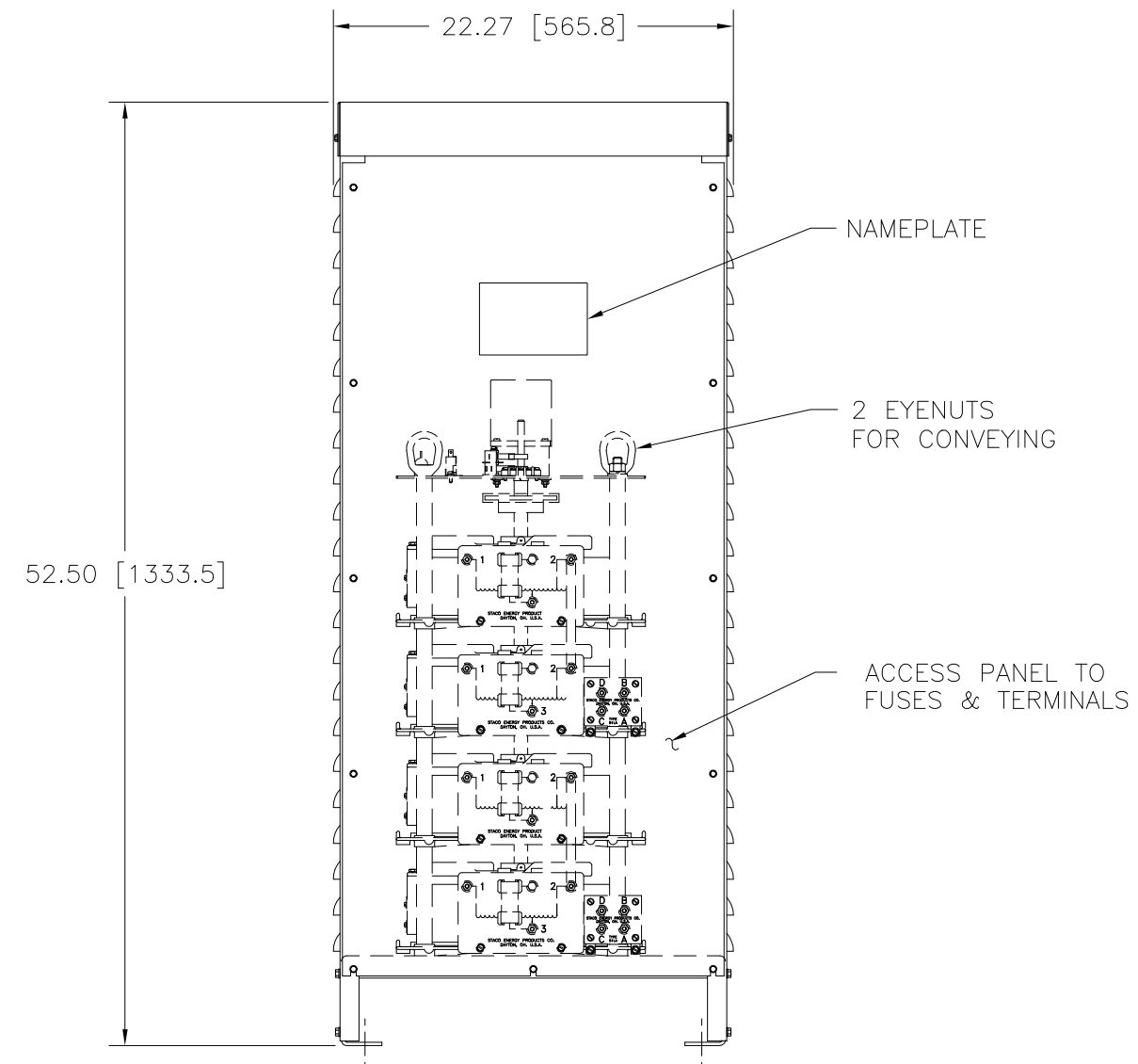
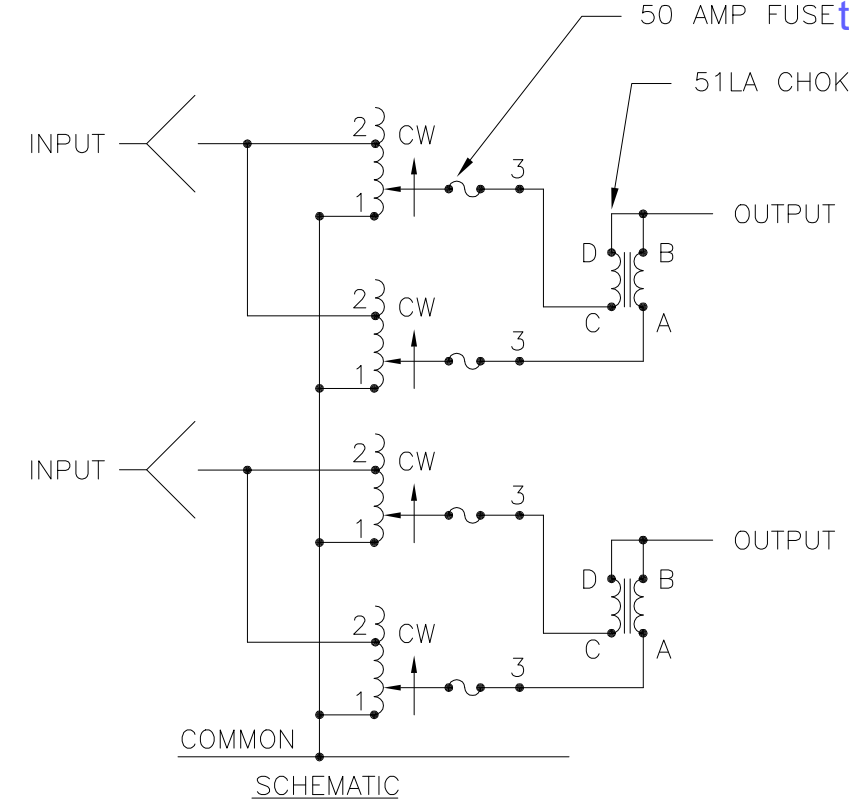
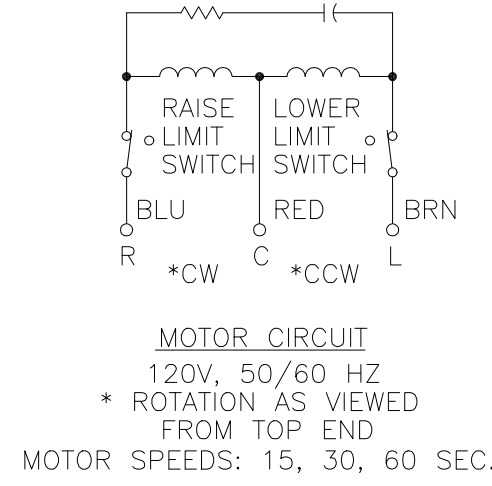
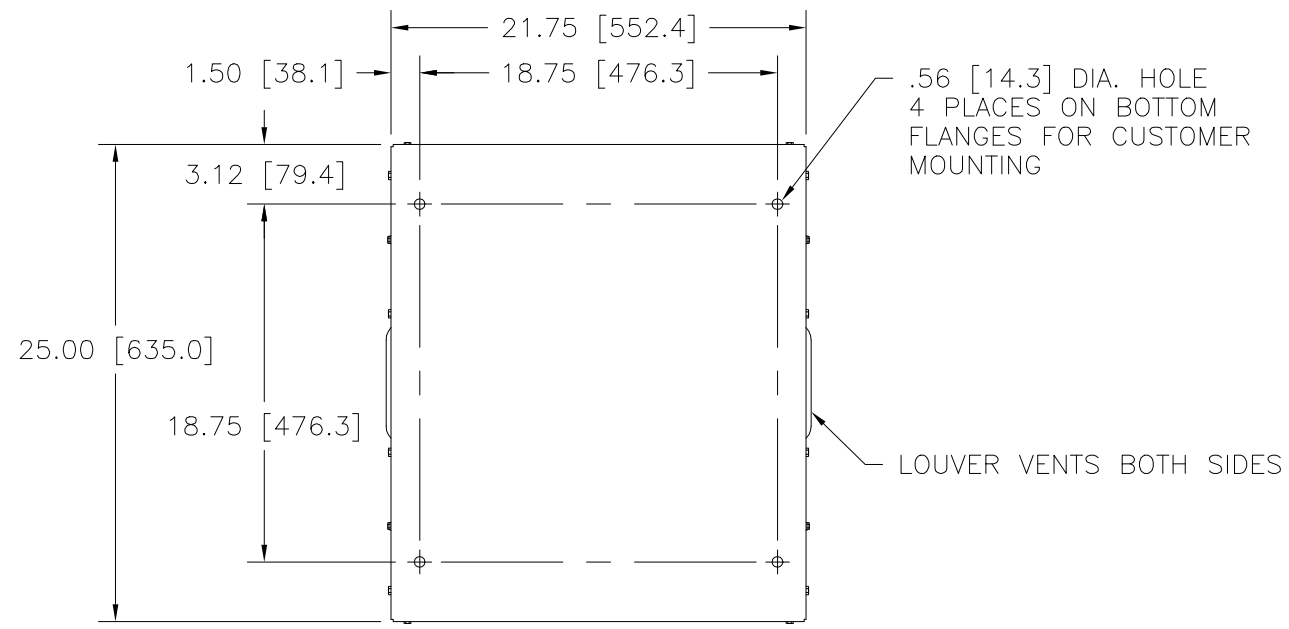


Go to VARIAC.com to purchase and for technical support. Made in the USA



SPEED (SECONDS)	MODEL NUMBER
15	15M5011E-4PS
30	30M5011E-4PS
60	60M5011E-4PS

WIRING	INPUT		OUTPUT			SHAFT ROTATION FOR VOLTAGE INCREASE	TERMINAL CONNECTIONS FOR INCREASING VOLTAGE AS VIEWED FROM TOP	
	VOLTS	HERTZ	VOLTS	CONSTANT CURRENT LOAD			INPUT	OUTPUT
				MAX. AMPS	MAX. KVA			
SINGLE PHASE SERIES PARALLEL	240	50/60	0-280	100	28.0	CW	2-2	B-B

UNLESS OTHERWISE SPECIFIED, TOLERANCE IS # DECIMALS .XX .XXX .005
 HOLES .12 .03
 ANGLES 1°
 DRAFT 1-1/2°

UNITS IN [mm]

TITLE: SPECIFICATION CONTROL DRAWING
 MOTORIZED VARIABLE TRANSFORMER
 15, 30 & 60M5011E-4PS

MATERIAL: ALL DIMENSIONS APPLY AFTER PLATING

STACO ENERGY PRODUCTS CO. DAYTON, OHIO U.S.A.

DRAWN BY: TIM RAU DATE: 5/21/96
 CHECKER: DATE: WEIGHT APPROX. CODE IDENT. NO. 83008
 ENGINEER: DATE: SCALE: .2=1 SHEET 1 OF 1

CUSTOMER APPROVAL: DATE: DWG. NO. 031-6881