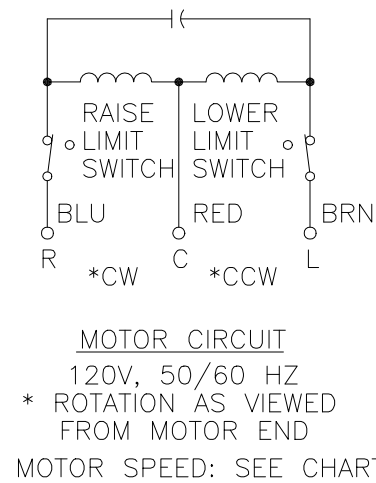
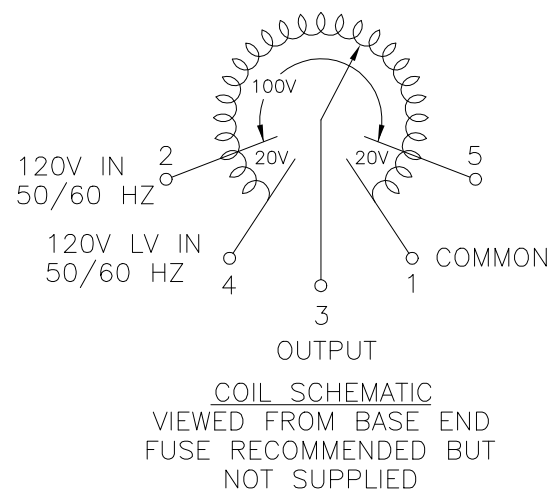
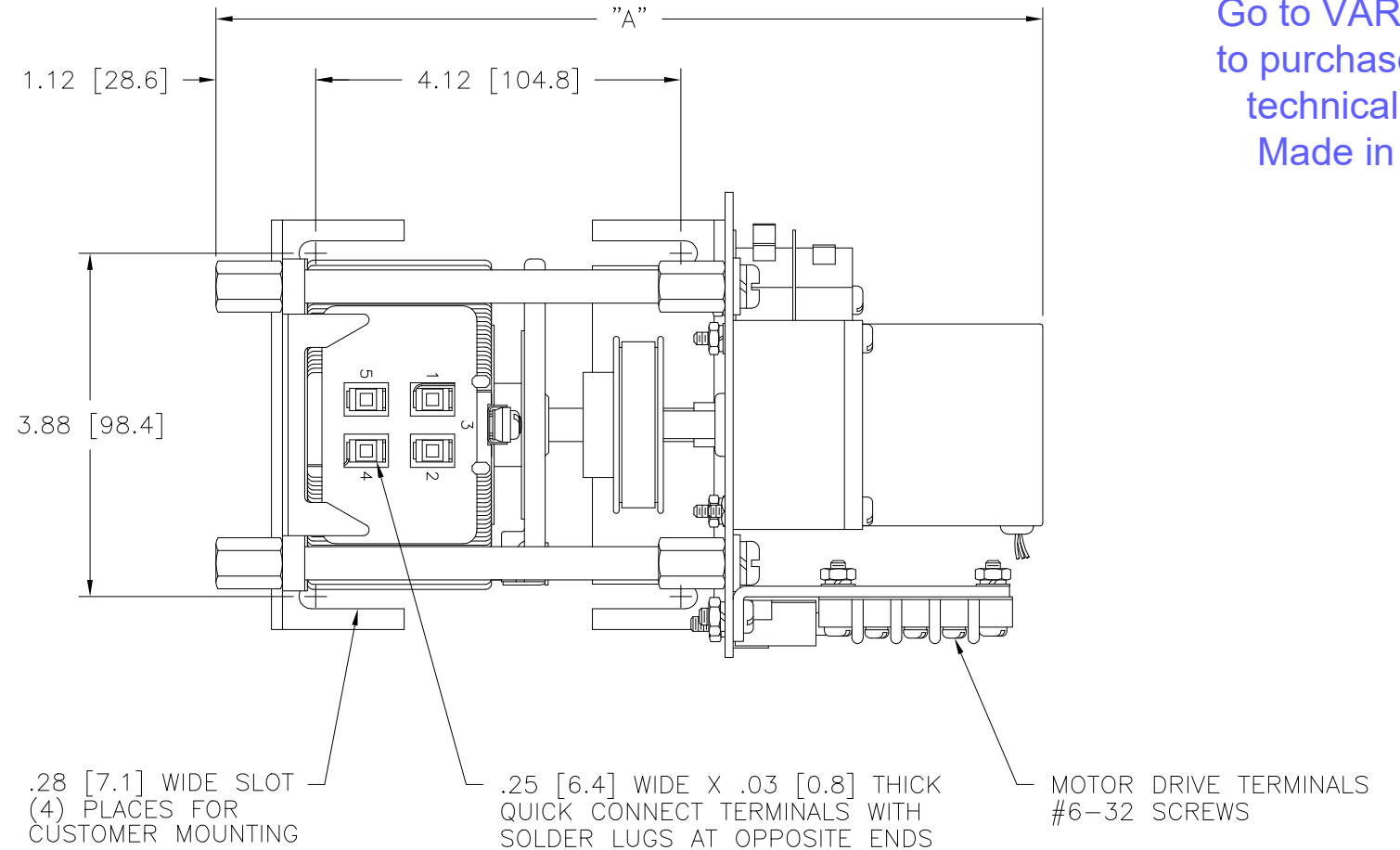
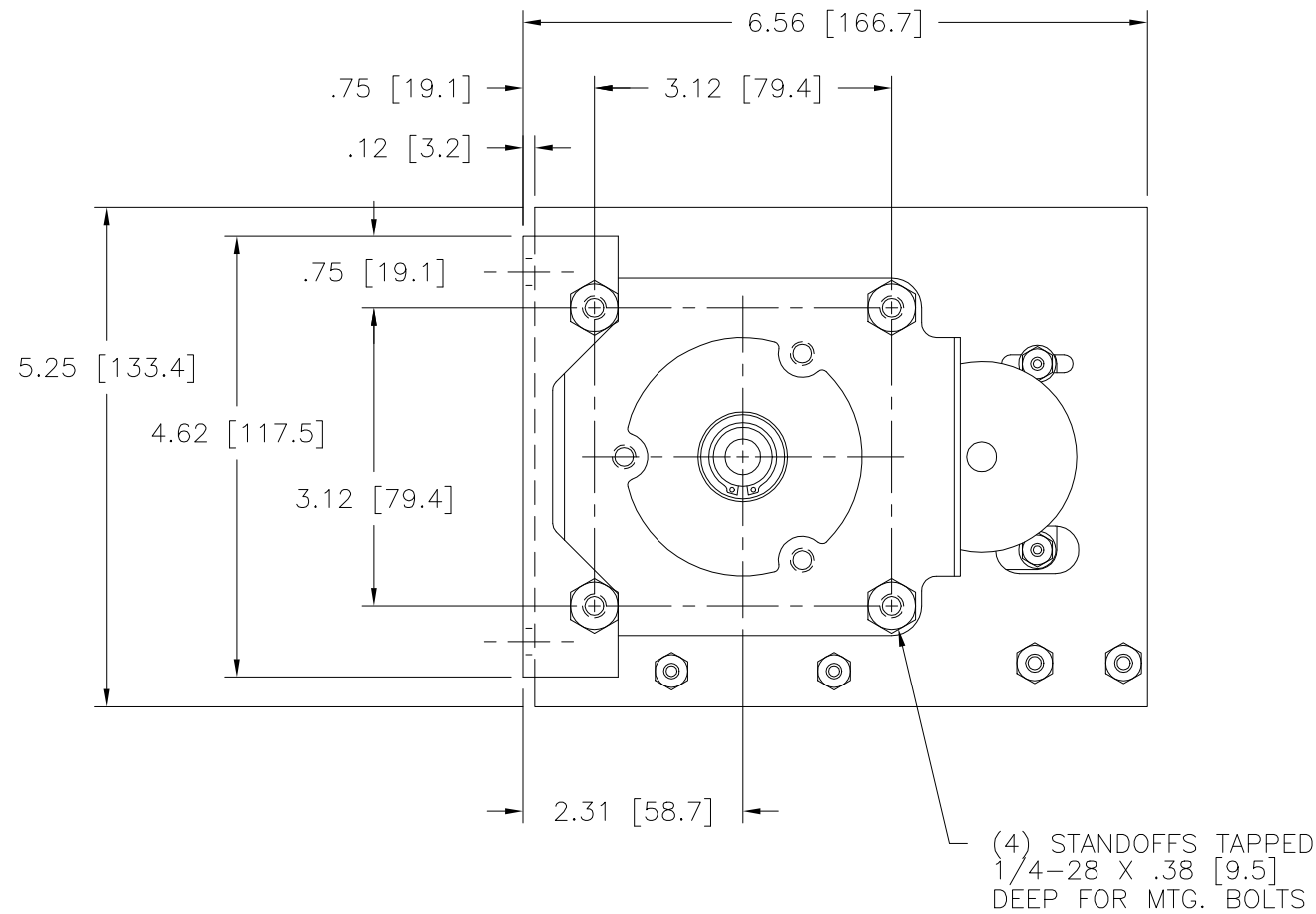


Go to VARIAC.com
to purchase and for
technical support.
Made in the USA



NOTE:
UNIT IS SUPPLIED WITH OPTIONAL
PUSH-ON #6-32 SCREW TERMINALS
FOR TRANSFORMER CONNECTIONS.

+ MOTOR DRIVEN UNITS USE TERMINAL CONNECTIONS FOR CCW
INCREASING VOLTAGE, AS VIEWED FROM BASE END.

SPECIFICATIONS											
WIRING	INPUT		OUTPUT				SHAFT ROTATION TO INCREASE VOLTAGE	TERMINAL CONNECTIONS			
	VOLTS	HERTZ	VOLTS	CONSTANT CURRENT LOAD		CONSTANT IMPEDANCE LOAD		FOR INCREASING VOLTAGE AS VIEWED FROM BASE END +			
				MAX. AMPS	MAX. KVA	MAX. AMPS		MAX. KVA	INPUT	JUMPER	OUTPUT
SINGLE PHASE	120	50/60	0-120	5.0	0.60	7.0	0.84	CW	1-4	---	4-3
			0-140	5.0	0.70	---	---	CCW	1-4	---	1-3
								CW	4-5	---	4-3
								CCW	1-2	---	1-3

SPEED (SECONDS)	MODEL NUMBER	DIM "A"
5	5M501C	9.34 [237.2]
15	15M501C	9.34 [237.2]
30	30M501C	9.73 [247.1]
60	60M501C	9.73 [247.1]

UNLESS OTHERWISE SPECIFIED, TOLERANCE IS #
DECIMALS HOLES ANGLES DRAFT
XX .0005 .06 .002 1° 1-1/2°

MATERIAL: ALL DIMENSIONS APPLY AFTER PLATING

TITLE: SPEC. CONTROL DRAWING
VARIABLE TRANSFORMER
MODEL: M501C

DRAWN BY: TIM RAU DATE: 3/16/99 FIRST USED ON: DO NOT SCALE DWG. CUSTOMER APPROVAL: DATE:

CHECKER: DATE: WEIGHT APPROX. 11.5 LBS CODE IDENT. NO. 83008 DWG. NO. 031-0564

ENGINEER: DATE: SCALE 1=1 SHEET 1 OF 1 DWG. NO. 031-0564

STACO
ENERGY PRODUCTS CO.
A COMPONENTS CORPORATION OF AMERICA COMPANY
DAYTON, OHIO U.S.A.